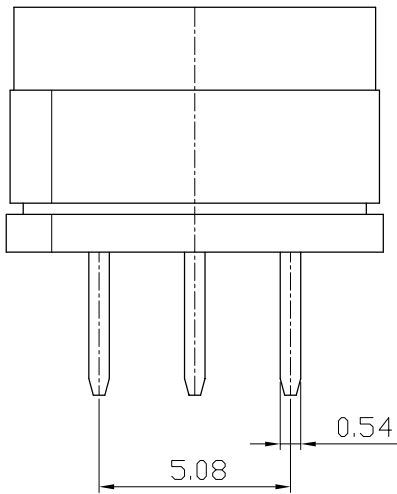
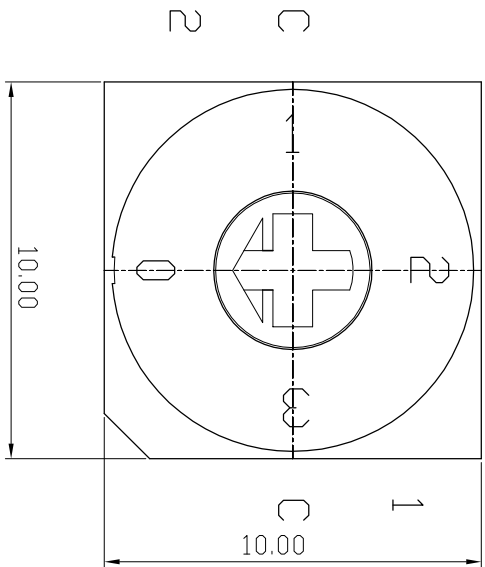


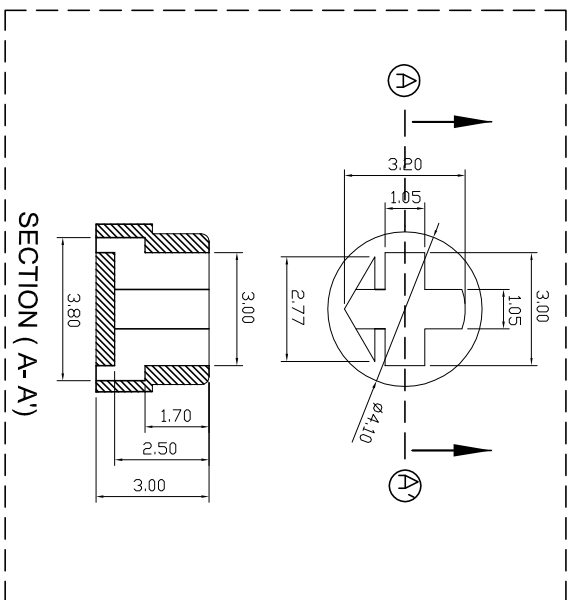
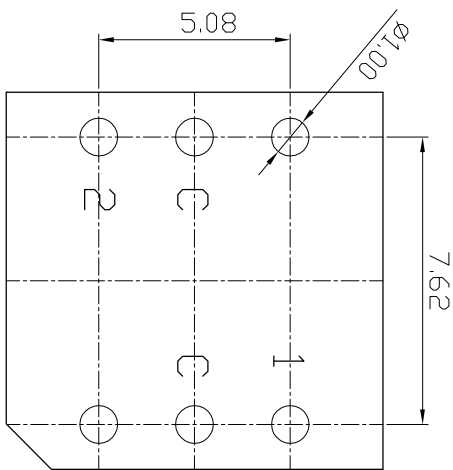
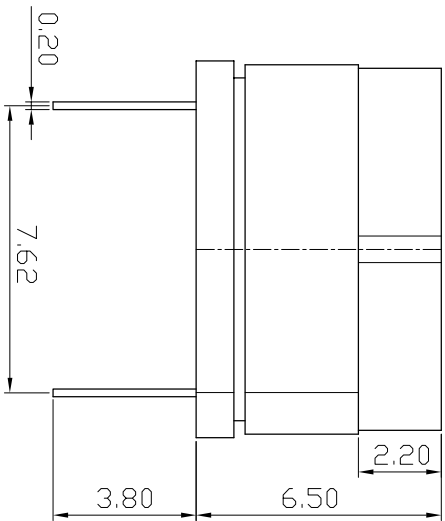
MARK	DATE	REMARKS
△		
△		

### SPECIFICATION

1. Rating : 150mA, 42V DC (Switching)  
200mA, 42V DC (None-Switching)
2. Contact Resistance : 80mΩ Max
3. Insulation Resistance : 100MΩ Min
4. Operating Force : 700gf Max
5. Life cycle : 10,000 steps



04 P o s i t i o n	Real Coded		
	C	1	2
0	●		
1	●	●	
2	●		●
3	●	●	●



### P.C.B DIMENSION

APPD	CHKD	D'SGCD	TITLE
K.L LEE	J.P ROH	J.S SIN	ROTARY DIP SWITCH
			MODEL NO. TER-04
			REV B
SUNGJUN ELECTRONICS CO., LTD.			

单击下面可查看定价，库存，交付和生命周期等信息

[>>SUNGMUN\(韩国星纹电子\)](#)