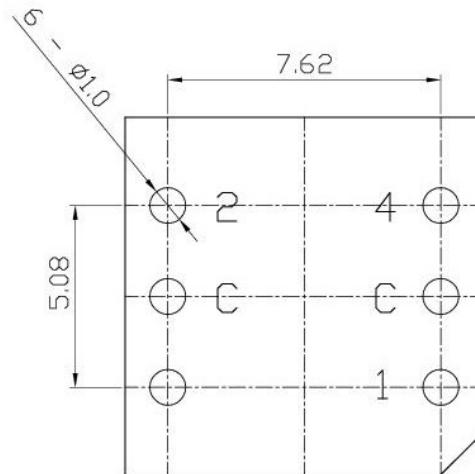
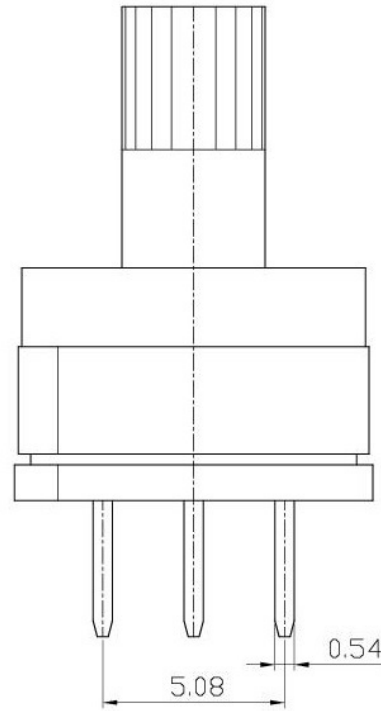
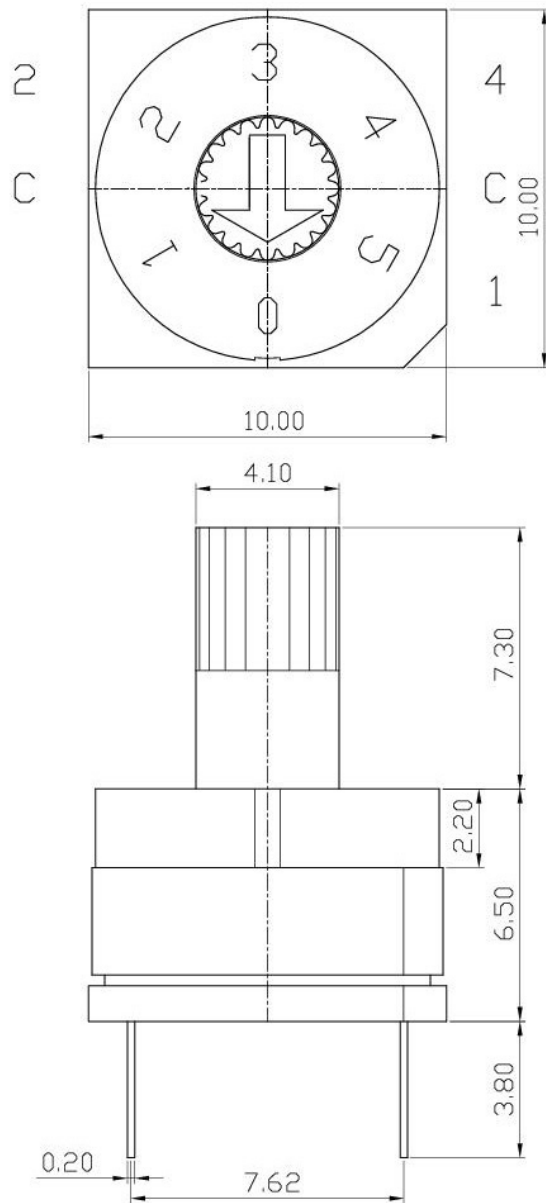


MARK	DATE	REMARKS
△		
△		



P.C.B DIMENSION

SPECIFICATION

1. Rating : 150mA, 42V DC (Switching)
200mA, 42V DC (None-Switching)
2. Contact Resistance : 80mΩ Max
3. Insulation Resistance : 100MΩ Min
4. Operating Force : 700gf Max
5. Life cycle : 10,000 steps

Position	Real Coded				
	C	1	2	4	8
0	●				
1	●	●			
2	●		●		
3	●	●	●		
4	●			●	
5	●	●		●	

APPD	CHKD	D'SGD	TITLE
K.L LEE	J.P ROH	J.S SIN	ROTARY DIP SWITCH
MODEL NO.			TSR-06
			REV A
SUNGUN ELECTRONICS CO., LTD.			

单击下面可查看定价，库存，交付和生命周期等信息

[>>SUNGMUN\(韩国星纹电子\)](#)