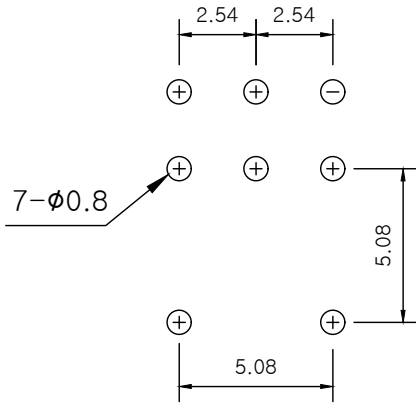
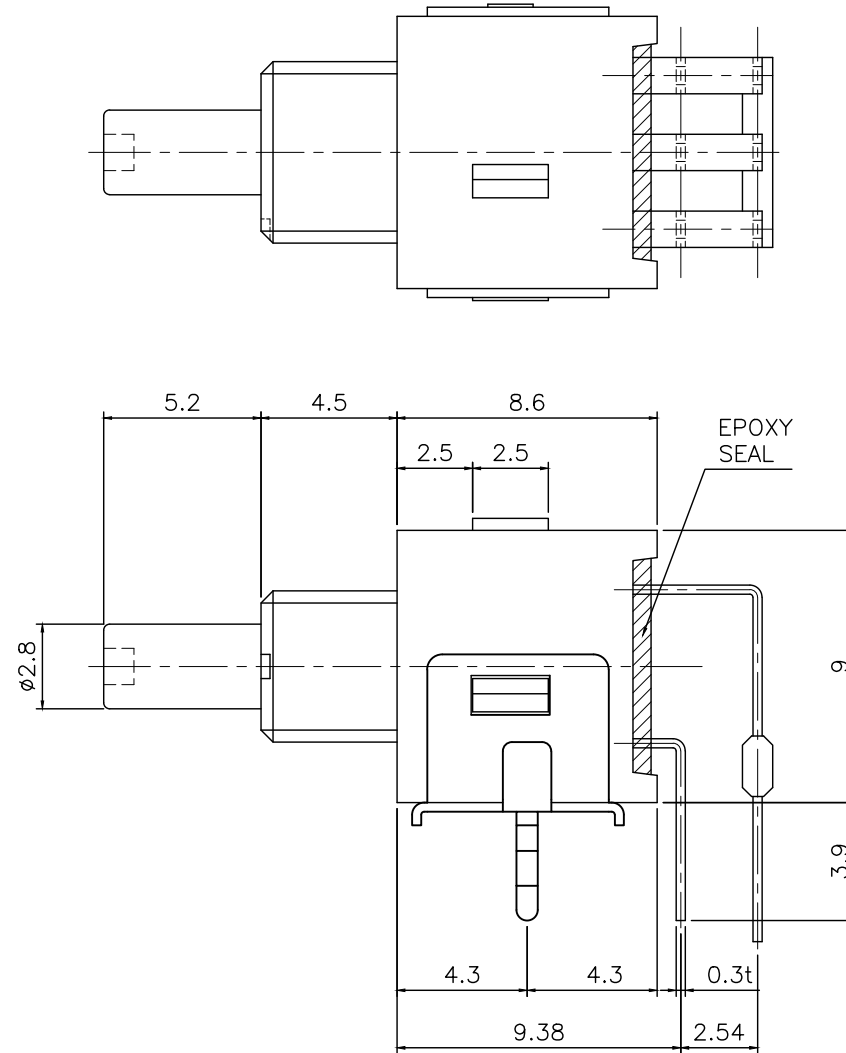
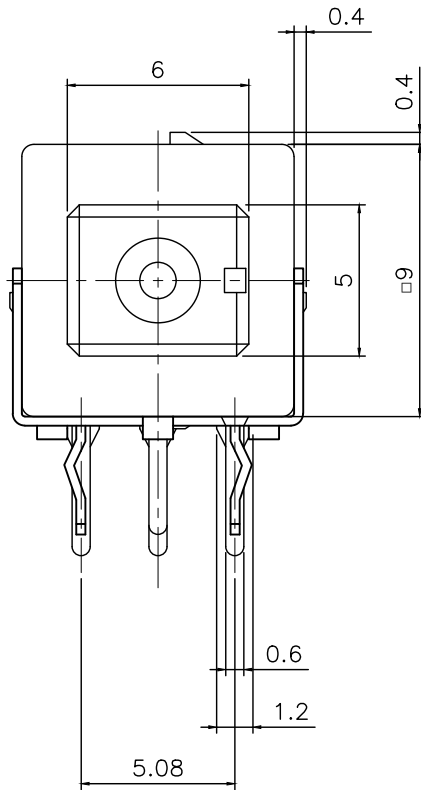


| MRK. | DATE | REVISION | SIGN |
|------|------|----------|------|
| △ | | | |



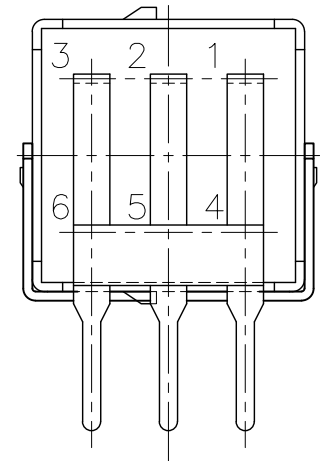
P.C.B DIMENSION



CIRCUIT

| NORMAL | DOWN |
|--------|------|
| ON | (ON) |
| 2-3 | 1-2 |
| 5-6 | 4-5 |

():MOMENTARY



| DRAW/DESIGNED | CHECKED | APPROVED | G.TOL | TITLE | | |
|----------------------------|---------|----------|-------|----------------|----------|-------|
| 2019-12-27 | | | ±0.05 | SP-22SH LAYOUT | | |
| | | | UNIT | SCALE | MODEL | SHEET |
| | | | mm | 4:1 | SP-22 | |
| SUNGUN ELECTRONICS CO.,LTD | | | | SIZE | DRAW NO. | |
| | | | | A4 | SP-22SH | 1/1 |

单击下面可查看定价，库存，交付和生命周期等信息

[>>SUNGMUN\(韩国星纹电子\)](#)