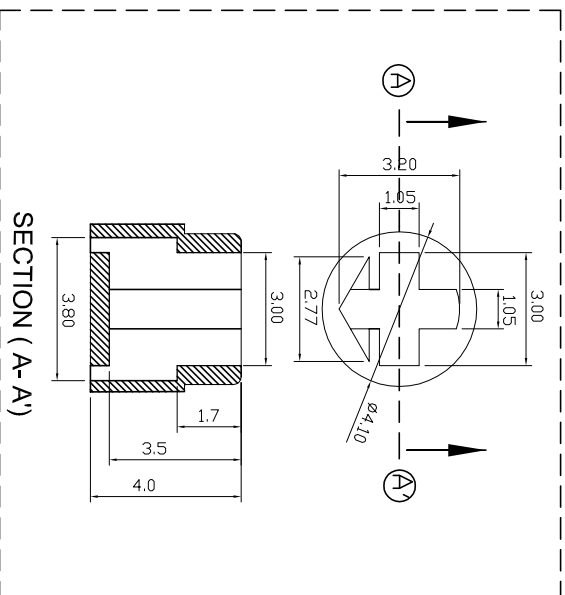
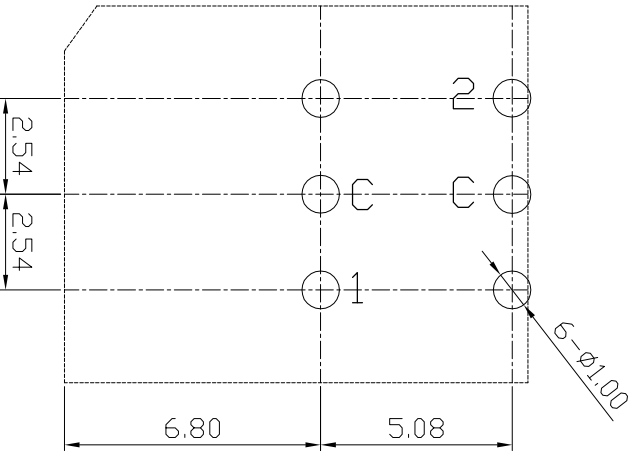


SPECIFICATION

1. Rating : 150mA, 42V DC (Switching)
200mA, 42V DC (None-Switching)
2. Contact Resistance : 80mΩ Max
3. Insulation Resistance : 100MΩ Min
4. Operating Force : 700gf Max
5. Life cycle : 10,000 steps

Real Coded			
04	0	1	2
P	●		
S		●	
I			●
L		●	
I			●
O			●
N		●	

P.C.B DIMENSION



APPD	CHKD	D'SGCD	TITLE	ROTARY DIP SWITCH	
K.L LEE	J.P ROH	H.S LEE	MODEL NO.	TER-04H	
			REV	C	
SUNGWUN ELECTRONICS CO., LTD.					

MARK	DATE	REMARKS
Δ		
Δ		

单击下面可查看定价，库存，交付和生命周期等信息

[>>SUNGMUN\(韩国星纹电子\)](#)