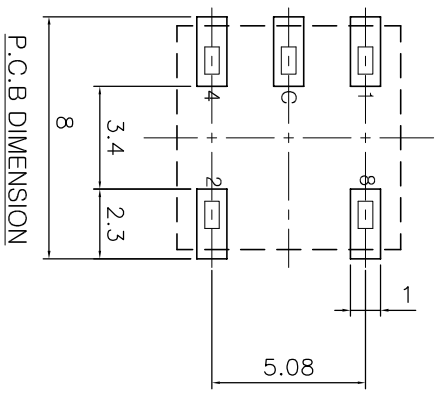
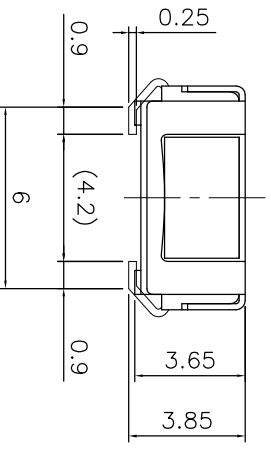
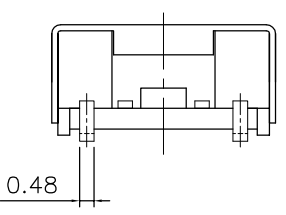
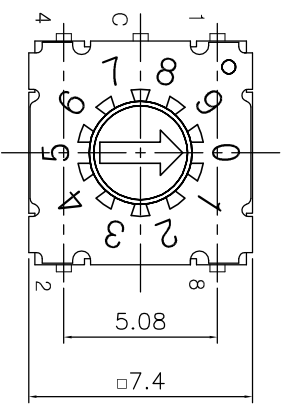


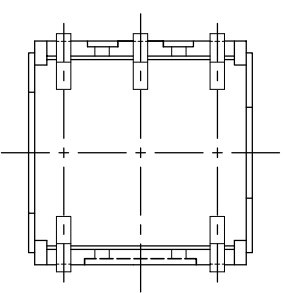
MRK.	DATE	REVISION	SIGN
------	------	----------	------



		Real Coded				
		C	1	2	4	8
0	●	●				
1	●		●			
2	●			●		
3	●				●	
4	●					●
5	●		●			
6	●			●		
7	●				●	
8	●					●
9	●		●			
A	●	●				
B	●		●			
C	●			●		
D	●				●	
E	●					●
F	●		●			

### SPECIFICATION

- Operating Voltage : 50V  
(None—Switching : 100mA)  
(Switching : 100mA)
- Contact Resistance : 100mΩ Max
- Insulation Resistance : 100MΩ Min
- Operating Force : 200gf Max
- Life Cycle : 10,000 steps
- Sealing : Comparable IP67



DRAW/DESIGNED	CHECKED	APPROVED	UNIT	SCALE	TITLE	DRAW NO.	SHEET
			mm	4:1	MSDR-10J MINI ROTARY SWITCH	MSDR-10JC-01	1/1
2016-11-21							
SUNGJUN ELECTRONICS CO.,LTD				SIZE			
				A4			
				G.TOL			
				±0.1			

单击下面可查看定价，库存，交付和生命周期等信息

[>>SUNGMUN\(韩国星纹电子\)](#)