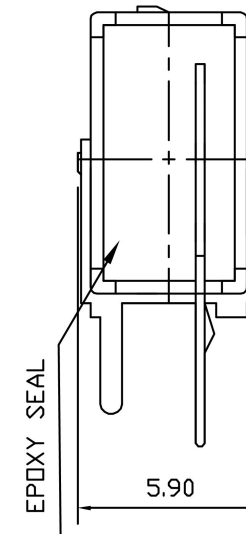
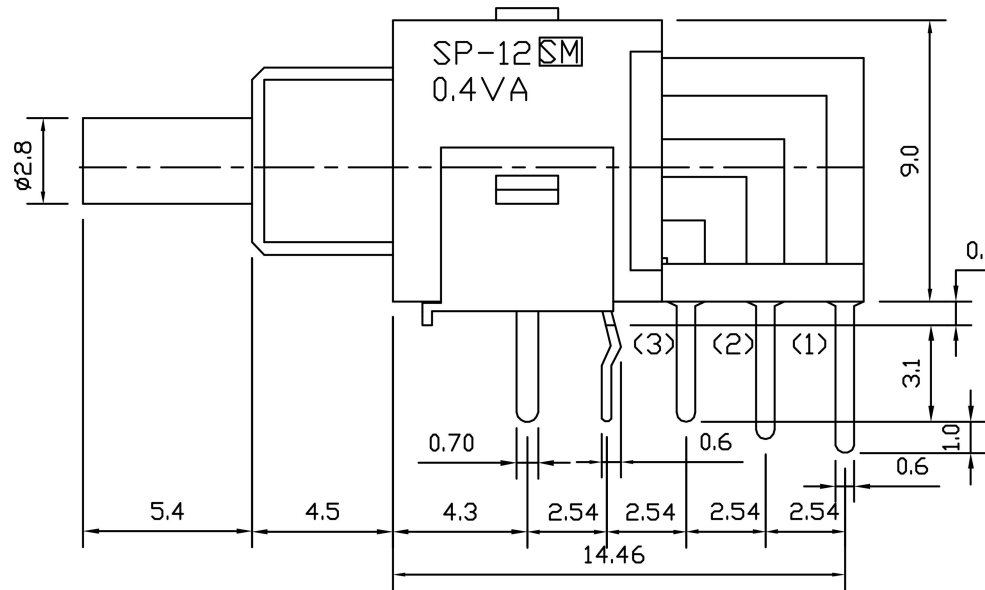
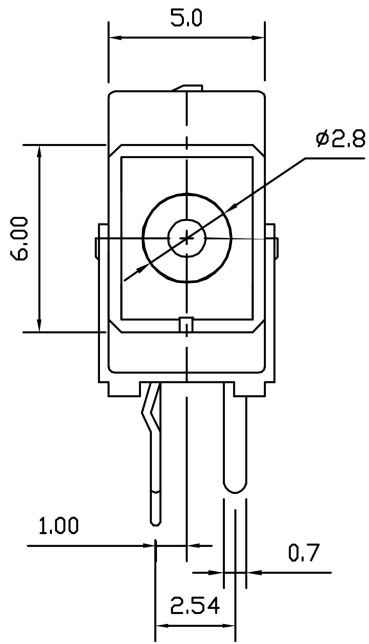
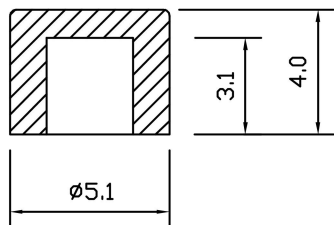


MARK	DATE	REMARKS
△		
△		

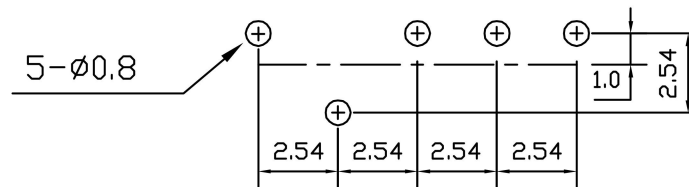


SK-100 □ (CAP)



COLOR □

K:BLACK
R:RED
W:WHITE



P.C.B DIMENSION

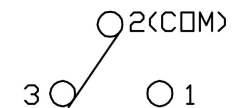
CIRCUIT

NORMAL DOWN

ON (ON)
2-3 1-2

< > MOMENTARY

SCHEMATICS



NOTE: GENERAL TOLERANCE ±0.3				APPD	CHKD	DSGD	MODEL
				LEE K.I	ROH J.P	JEON Y.N	PUSH BUTTON SWITCH
							PART NAME
							SP-12SV
DATA				SUNGMUN ELECTRONICS CO.,LTD			

单击下面可查看定价，库存，交付和生命周期等信息

[>>SUNGMUN\(韩国星纹电子\)](#)