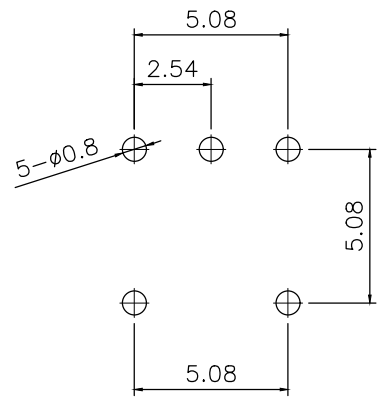
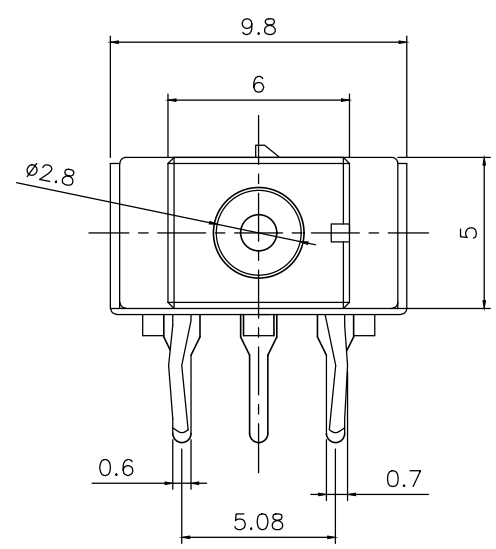


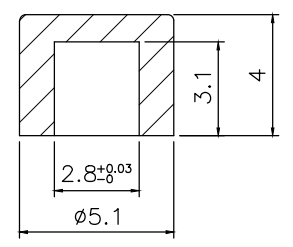
MRK.	DATE	REVISION	SIGN
△			



P.C.B DIMENSION



SK-100□ (CAP)

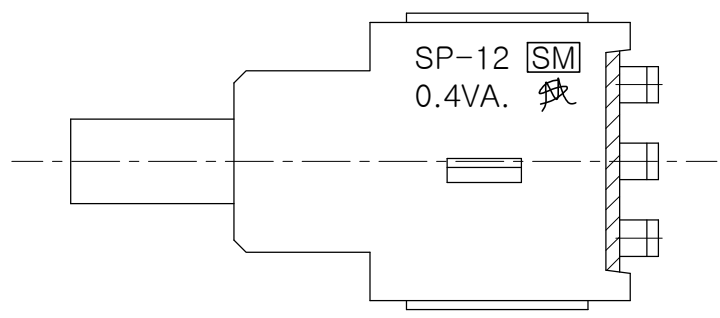


COLOR □

- K: BLACK
- R: RED
- W: WHITE

REMARK

1. The CAP must be used after soldering.
2. The CAP is packed in 1,000pcs separately.

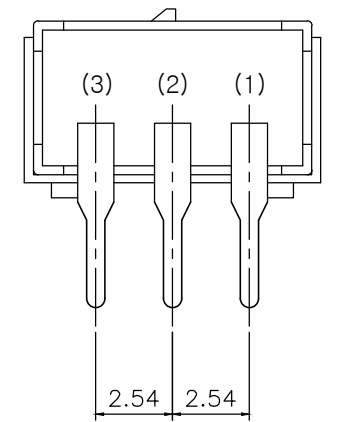
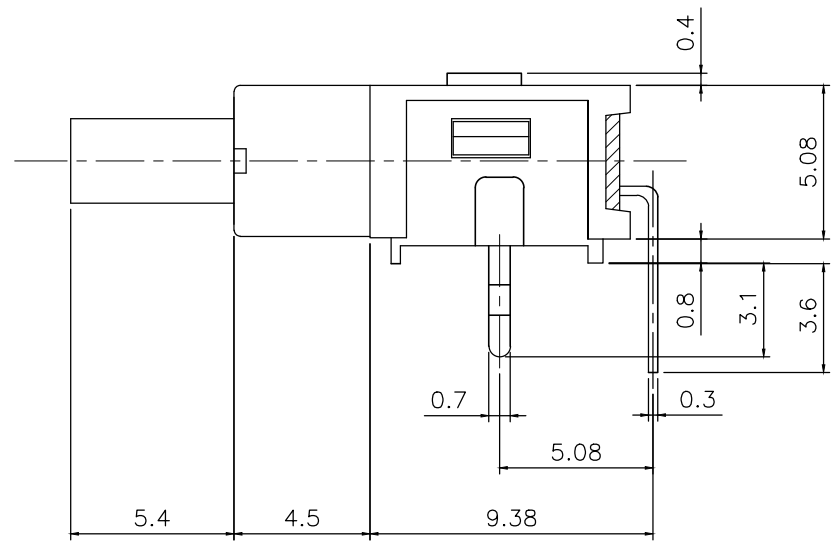
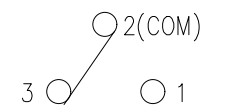


CIRCUIT

NORMAL	DOWN
ON	(ON)
2-3	1-2

(): MOMENTARY

SCHEMATICS



01	-	-	-	1	-
NO.	DESCRIPTION	MATERIAL	COLOR/FINISH	Q.TY	VENDOR
W. J. LEE	J. P. ROH	K. I. LEE			
DRAW/DESIGNED		CHECKED	APPROVED	TITLE	
G.TOL		UNIT	SCALE	MODEL	
±0.3		mm	4:1	SP-12SH	
SIZE		DRW NO.	SHEET		
A4		SP-12SH00-02	1/1		
SUNGMUN ELECTRONICS CO.,LTD					

单击下面可查看定价，库存，交付和生命周期等信息

[>>SUNGMUN\(韩国星纹电子\)](#)