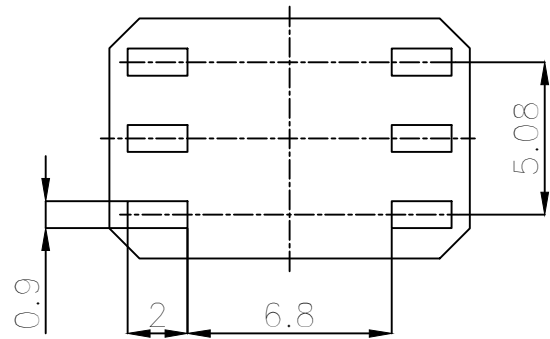
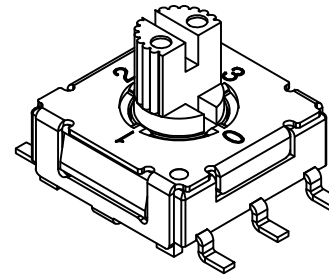
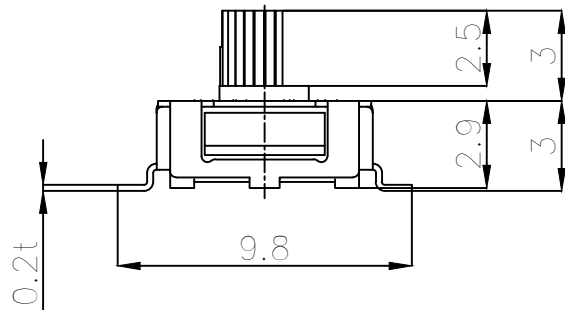
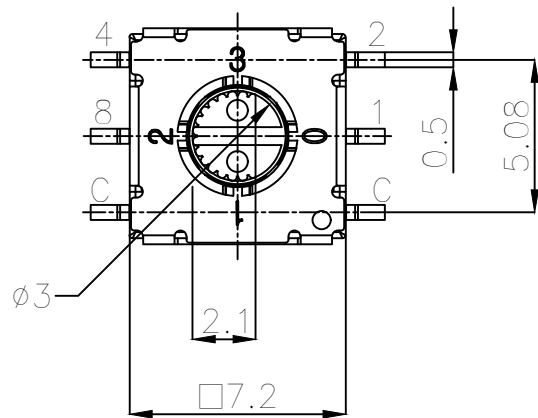


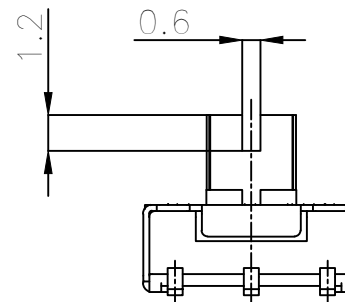
MRK. △	DATE	REVISION	SIGN
-----------	------	----------	------



P.C.B DIMENSION



		Real Code	
04 S 0 T P	C	1	2
	0	●	
	1	●	●
	2	●	
3	●	●	●



STANDARD LAYOUT

01	ASSEMBLY	재질 <지정안함>	1	-
NO.	DESCRIPTION	MATERIAL	COLOR/FINISH	Q.TY
DRAW/DESIGNED	CHECKED	APPROVED	TITLE ASSEMBLY	
2018-07-05			G.TOL	MODE GSMR-04S
			±0.1	
		UNIT	SCALE	SHEET
		mm	4:1	
SUNGMUN ELECTRONICS CO.,LTD			SIZE	DRAW NO.
			A4	GSMR-04S0-01
				1/1

单击下面可查看定价，库存，交付和生命周期等信息

[>>SUNGMUN\(韩国星纹电子\)](#)