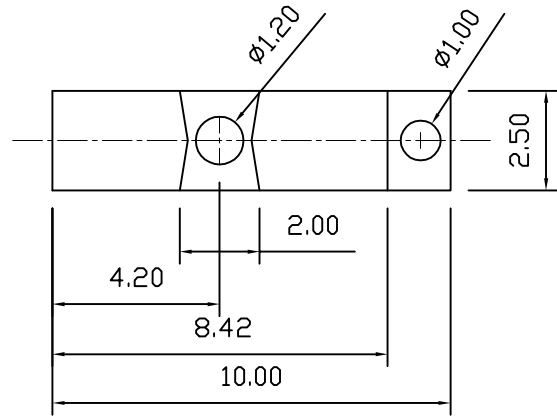
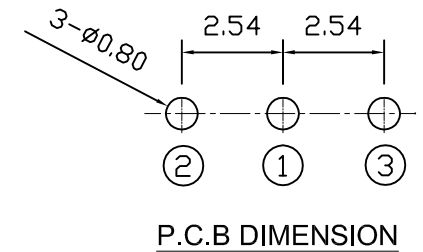
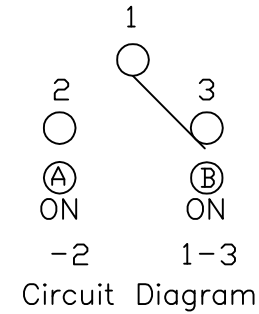
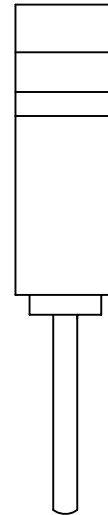
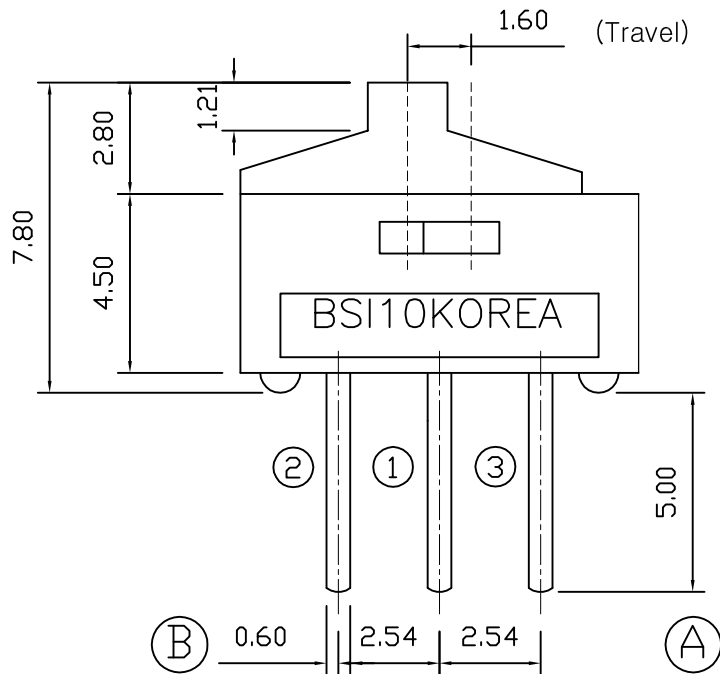


MARK	DATE	REMARKS



### SPECIFICATION

1. Rating : AC, DC 12V(0.5A)~24V(0.3A)  
(Minimum Current: 1mA)
2. Contact Resistance : 30mΩ Max
3. Travel : 1.6mm
4. Operating Force : 250gf ± 150gf
5. Life cycle : 2,000 Cycle(with load)



SM-MSSBSIL10							
NO.	DWG No.	Q'TY	MAT'L	SPEC'	FINISH	REMARKS	
	UNIT M/M	SCL	MODEL NAME. <b>MINI SLIDE SWITCH</b>				
APPD.	CHKD.	D'SGD	TITLE <b>BSIL-10</b>				
K.I LEE	J.P ROH	W.J LEE	DRAWG. No.		Sheet No. 1 / 1	REV	A
SUNGMUN ELECTRONICS CO.,LTD							

单击下面可查看定价，库存，交付和生命周期等信息

[>>SUNGMUN\(韩国星纹电子\)](#)