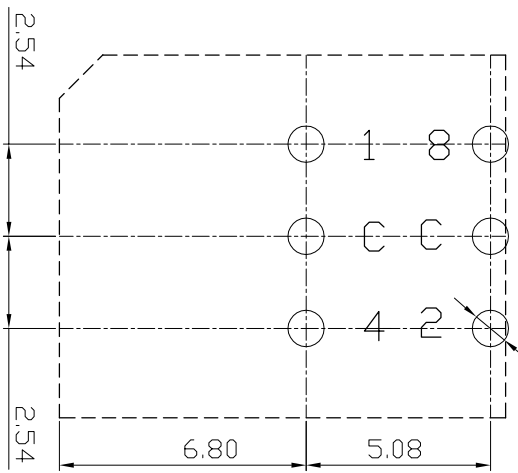
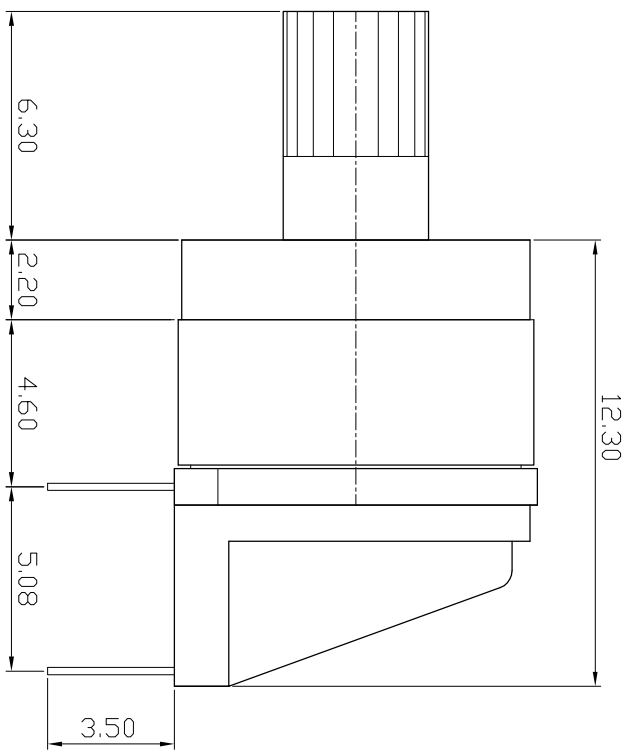
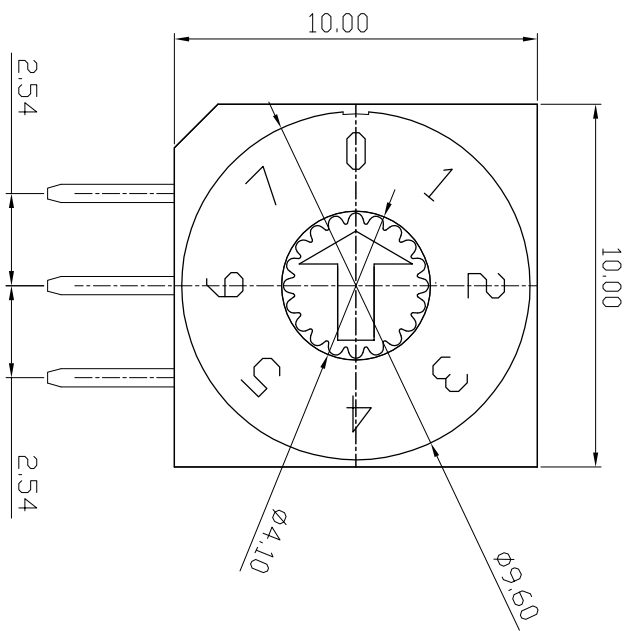


MARK	DATE	REMARKS
△		
△		



SPECIFICATION

1. Rating : 150mA, 42V DC (Switching)
200mA, 42V DC (None-Switching)
2. Contact Resistance : 80mΩ Max
3. Insulation Resistance : 100MΩ Min
4. Operating Force : 700gf Max
5. Life cycle : 10,000 steps

		Real Coded			
8 P o s i t i o n	0	1	2	4	8
0	●				
1	●	●			
2	●		●		
3	●	●	●		
4	●			●	
5	●	●		●	
6	●			●	●
7	●	●	●	●	●

APPD	CHKD	D'SGD	TITLE
K.L LEE	J.P ROH	W.J LEE	ROTARY DIP SWITCH
MODEL NO.			REV
TSR-08H			A
SUNGMUN ELECTRONICS CO., LTD.			

单击下面可查看定价，库存，交付和生命周期等信息

[>>SUNGMUN\(韩国星纹电子\)](#)