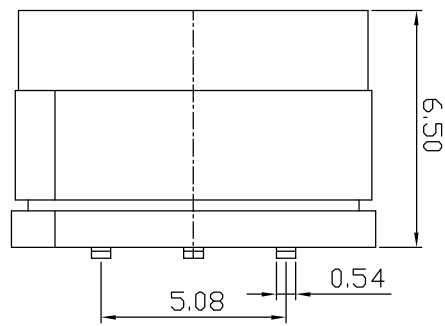
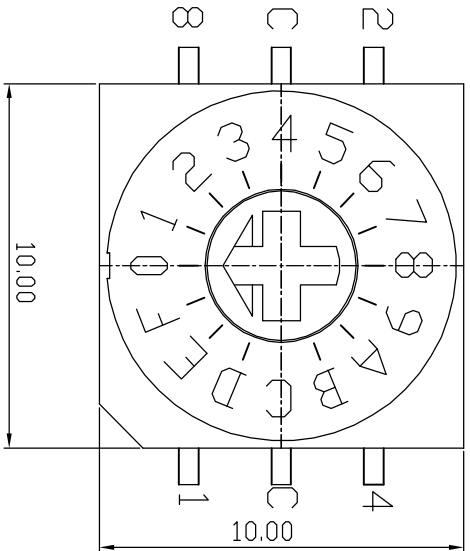


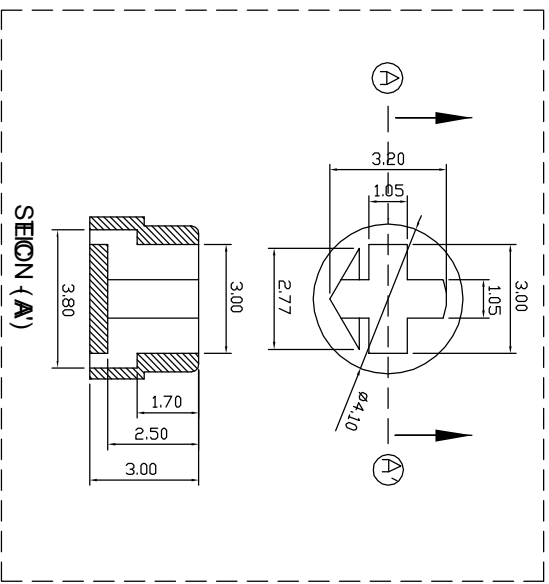
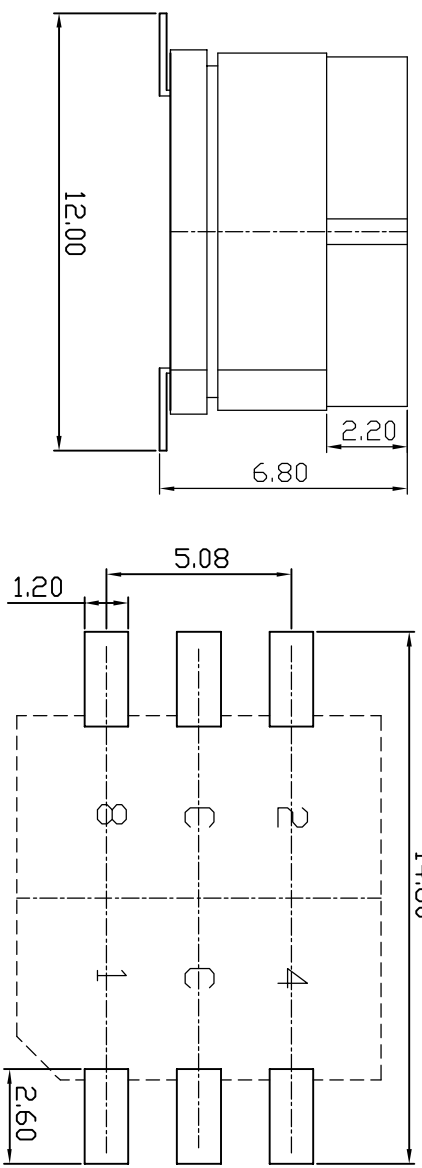
MARK	DATE	REMARKS
△		
△		



**SPECIFICATION**

1. Rating : 150mA, 42V DC (Switching)  
200mA, 42V DC (None-Switching)
2. Contact Resistance : 80mΩ Max
3. Insulation Resistance : 100MΩ Min
4. Operating Force : 700gf Max
5. Life cycle : 10,000 steps

Real Code		C	1	2	4	8
0	●	●				
1	●	●				
2	●	●				
3	●	●				
4	●	●				
5	●	●				
6	●	●				
7	●	●				
8	●	●				
9	●	●				
A	●	●				
B	●	●				
C	●	●				
D	●	●				
E	●	●				
F	●	●				



**P.C.B DIMENSION**

APPD	CHKD	D'SGD	TITLE
KL LEE	J.P ROH	H.S LEE	ROTARY DIP SWITCH
MODEL NO.			TER-16S
REV			A
SUNGJUN ELECTRONICS CO., LTD.			

单击下面可查看定价，库存，交付和生命周期等信息

[>>SUNGMUN\(韩国星纹电子\)](#)