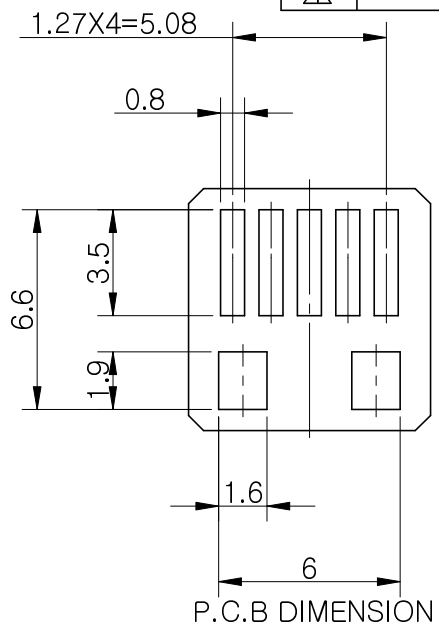
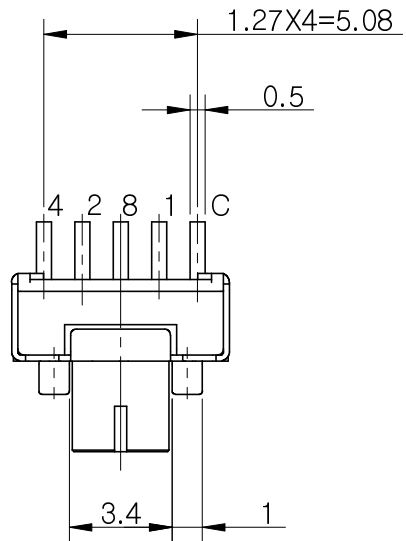
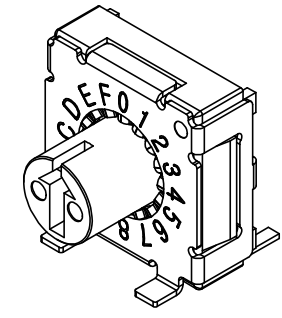
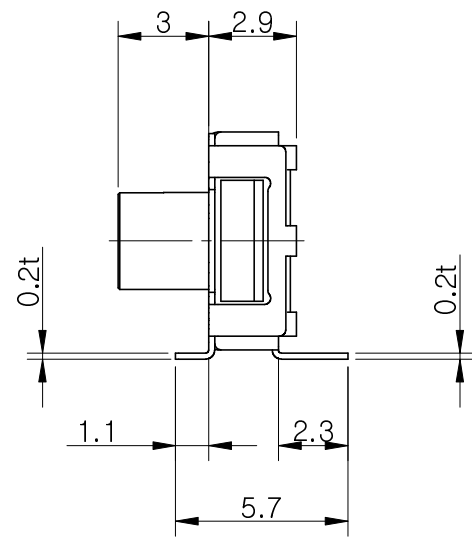
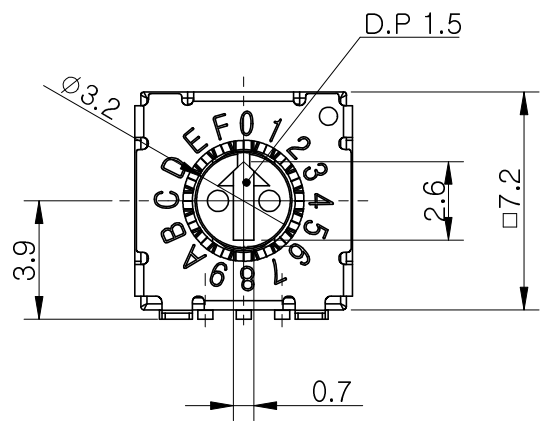


| | | | |
|------|------|----------|------|
| MRK. | DATE | REVISION | SIGN |
| △ | | | |



Specification

- Operating Voltage : 42V
(None-Switching : 100mA, DC50V)
(Switching : 100mA, DC5V)
- Contact Resistance : 100mΩ Max
- Insulation Resistance : 100MΩ Min
- Operating Force : 200gf.cm Max
- Life cycle : 10,000 steps
- Sealing : Comparable IP67



| | | Real Code | | | | |
|--|---|-----------|---|---|---|---|
| | | C | 1 | 2 | 4 | 8 |
| 16 P o s i t i o n | 0 | ● | | | | |
| | 1 | ● | ● | | | |
| | 2 | ● | | ● | | |
| | 3 | ● | ● | ● | | |
| | 4 | ● | | | ● | |
| | 5 | ● | ● | | ● | |
| | 6 | ● | | ● | ● | |
| | 7 | ● | ● | ● | ● | |
| | 8 | ● | | | | ● |
| | 9 | ● | ● | | | ● |
| 10 P o s i t i o n | A | ● | | ● | | ● |
| | B | ● | ● | ● | | ● |
| | C | ● | | | ● | ● |
| | D | ● | ● | | ● | ● |
| | E | ● | | ● | ● | ● |
| | F | ● | ● | ● | ● | ● |

STANDARD LAYOUT

| | | | | | | |
|------------------------------|-------------|-----------|-------------------|--------------|--------------|-------|
| 01 | ASSEMBLY | 재질 <지정안함> | | 1 | - | |
| NO. | DESCRIPTION | MATERIAL | | COLOR/FINISH | VENDOR | |
| DRAW/DESIGNED | CHECKED | APPROVED | G.TOL ±0.1 | TITLE | ASSEMBLY | |
| | | | | UNIT | SCALE | MODEL |
| 2017-12-01 | | | mm | 4:1 | GSPR-16MS | SHEET |
| SUNG MUN ELECTRONICS CO.,LTD | | | SIZE | DRAW NO. | GSPR-16MS-01 | 1/1 |
| | | | A4 | | | |

单击下面可查看定价，库存，交付和生命周期等信息

[>>SUNGMUN\(韩国星纹电子\)](#)