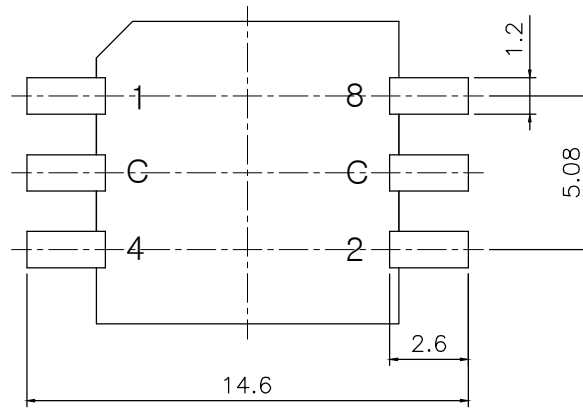
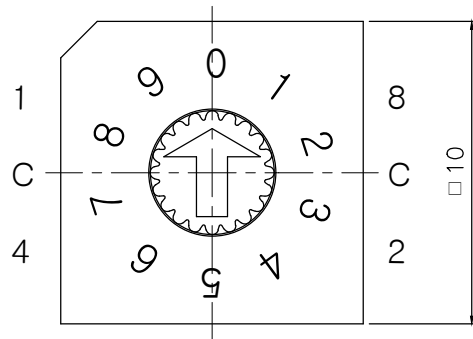
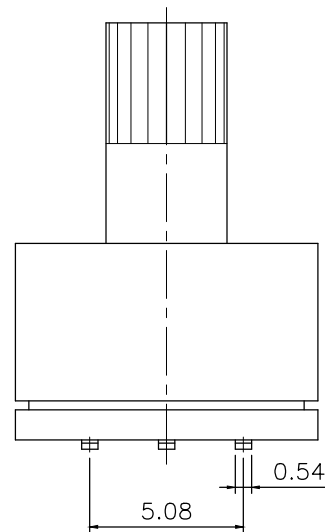
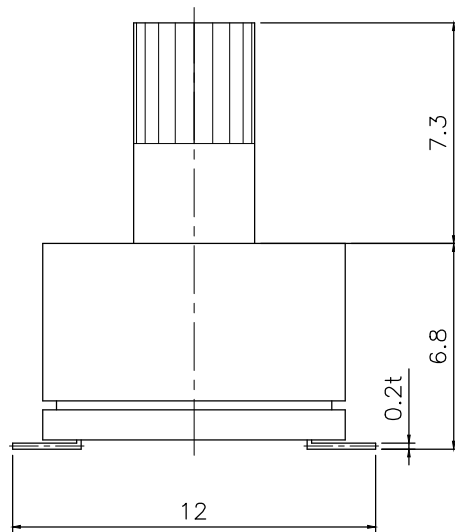


| MRK. | DATE | REVISION | SIGN |
|------|------|----------|------|
| △ | | | |



P.C.B DIMENSION (TOP VIEW)



SPECIFICATION

- RATING : 150mA 42V DC (SWITCHING)
200mA, 42V DC (NONE-SWITCHING)
- CONTACT RESISTANCE : 80mΩ MAX.
- INSULATION RESISTANCE : 100MΩ MIN.
- OPERATING FORCE : 700gf MAX.
- LIFE CYCLE : 10,000 STEPS
- SEALING : COMPARABLE WITH IP67

| | | Real Code | | | | |
|--|---|-----------|---|---|---|---|
| | | C | 1 | 2 | 4 | 8 |
| 10 P o s i t i o n | 0 | ● | | | | |
| | 1 | ● | ● | | | |
| | 2 | ● | | ● | | |
| | 3 | ● | ● | ● | | |
| | 4 | ● | | | ● | |
| | 5 | ● | ● | | ● | |
| | 6 | ● | | ● | ● | |
| | 7 | ● | ● | ● | ● | |
| | 8 | ● | | | | ● |
| | 9 | ● | ● | | | ● |
| 16 P o s i t i o n | A | ● | | ● | | ● |
| | B | ● | ● | ● | | ● |
| | C | ● | | | ● | ● |
| | D | ● | ● | | ● | ● |
| | E | ● | | ● | ● | ● |
| | F | ● | ● | ● | ● | ● |

| 01 | - | - | - | 1 | - |
|-----------------------------|-------------|----------|--------------|-------|---------------|
| NO. | DESCRIPTION | MATERIAL | COLOR/FINISH | Q.TY | VENDOR |
| Y.N.JEON | S.M.PARK | J.P.ROH | | | |
| 2018-12-27 | | | | | |
| SUNGJUN ELECTRONICS CO.,LTD | | | G.TOL | TITLE | ROTARY SWITCH |
| | | | ±0.3 | MODEL | |
| | | | UNIT | SCALE | SIZE |
| mm | 4:1 | A4 | QOSR-10S0-01 | 1/1 | |

单击下面可查看定价，库存，交付和生命周期等信息

[>>SUNGMUN\(韩国星纹电子\)](#)