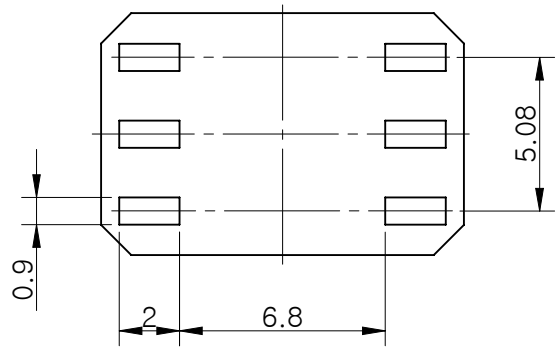
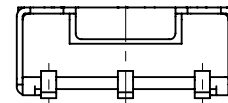
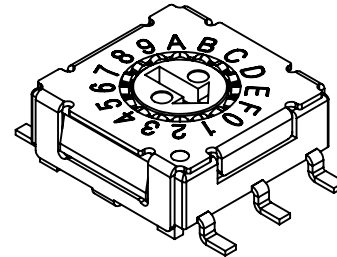
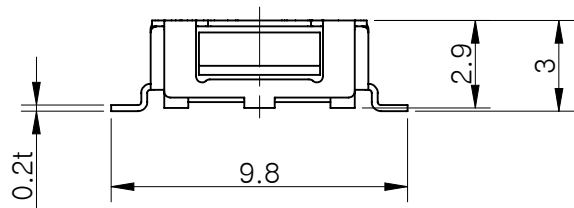
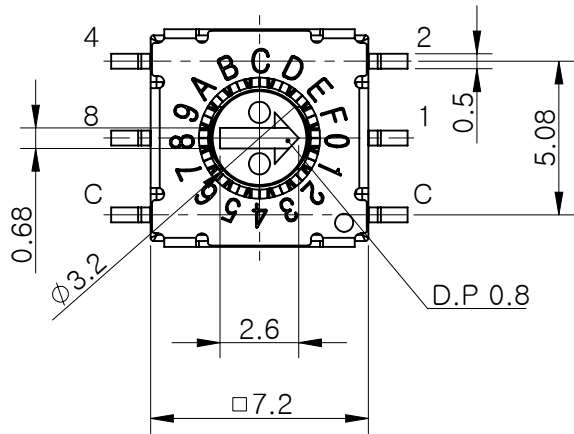


MRK.	DATE	REVISION	SIGN
△			



P.C.B DIMENSION



Specification

- Operating Voltage : 42V  
(None-Switching : 100mA, DC50V)  
(Switching : 100mA, DC5V)
- Contact Resistance : 100mΩ Max
- Insulation Resistance : 100MΩ Min
- Operating Force : 200gf.cm Max
- Life cycle : 10,000 steps
- Sealing : Comparable IP67

		Real Code				
		C	1	2	4	8
10 P o s i t i o n	0	●				
	1	●	●			
	2	●		●		
	3	●	●	●		
	4	●			●	
	5	●	●		●	
	6	●		●	●	
	7	●	●	●	●	
	8	●				●
	9	●	●			●
16 P o s i t i o n	A	●		●		●
	B	●	●	●		●
	C	●			●	●
	D	●	●		●	●
	E	●		●	●	●
	F	●	●	●	●	●

STANDARD LAYOUT

01	ASSEMBLY	재질 <지정안함>		1	-
NO.	DESCRIPTION	MATERIAL		COLOR/FINISH	VENDOR
DRAW/DESIGNED	CHECKED	APPROVED		TITLE	ASSEMBLY
				UNIT	SCALE
2017-07-10			mm	4:1	GSDR-16S
	蘇州震立電子有限公司 TACLEX ELECTRONICS CO., LTD.			SIZE	DRAW NO.
			A4		1/1

单击下面可查看定价，库存，交付和生命周期等信息

[>>SUNGMUN\(韩国星纹电子\)](#)