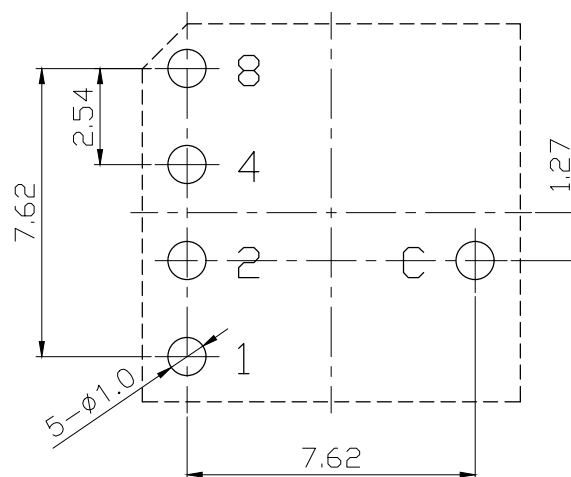
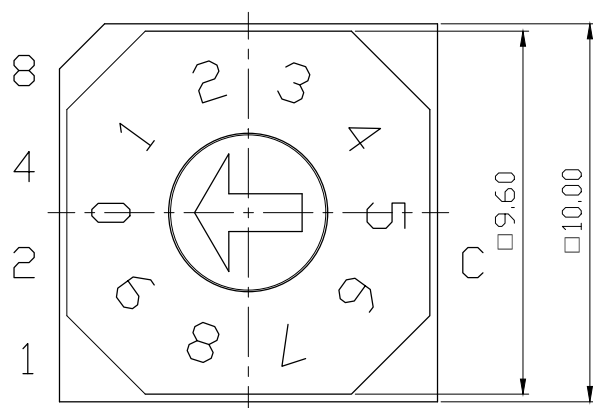


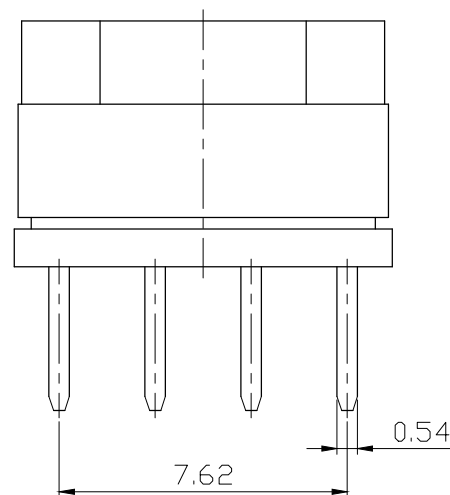
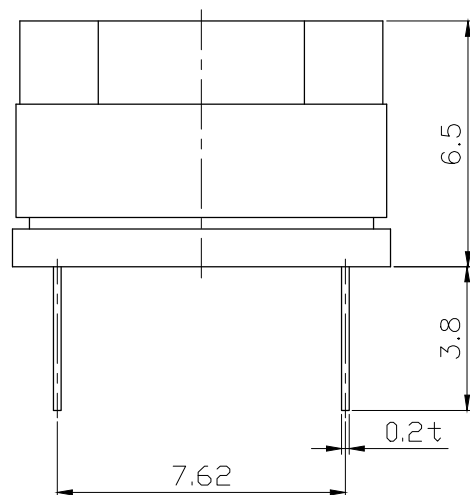
MARK	DATE	REMARKS
△		
△		



P.C.B DIMENSION (TOP VIEW)

SPECIFICATION

- Rating : 150mA, 42V DC (Switching)
200mA, 42V DC (None-Switching)
- Contact Resistance : 80mΩ Max
- Insulation Resistance : 100MΩ Min
- Operating Force : 700gf Max
- Life cycle : 10,000 steps



		Real Code				
		C	1	2	4	8
10 P o s i t i o n	0	●				
	1		●			
	2	●		●		
	3	●	●			
	4	●			●	
	5	●	●		●	
	6	●		●	●	
	7	●	●	●	●	
	8	●				●
	9	●	●			●
16 P o s i t i o n	A	●		●		●
	B	●	●	●		●
	C	●			●	●
	D	●	●		●	●
	E	●		●	●	●
	F	●	●	●	●	●

GENERAL TOLERANCE ±0.3 mm

APPD	CHKD	D'SGD	TITLE.
J.P. ROH	S.M. PARK	Y.N. JEON 2018.07.05	ROTARY DIP SWITCH
MODEL NO.			FDR-10
			REV 02
SUNGMUN ELECTRONICS CO., LTD.			

单击下面可查看定价，库存，交付和生命周期等信息

[>>SUNGMUN\(韩国星纹电子\)](#)