

DATA SHEET

SUNGMUN CODE : MSDR-16H
DESCRIPTION : MINI ROTARY DIP SWITCH

SUNGMUN ELECTRONICS CO., LTD.

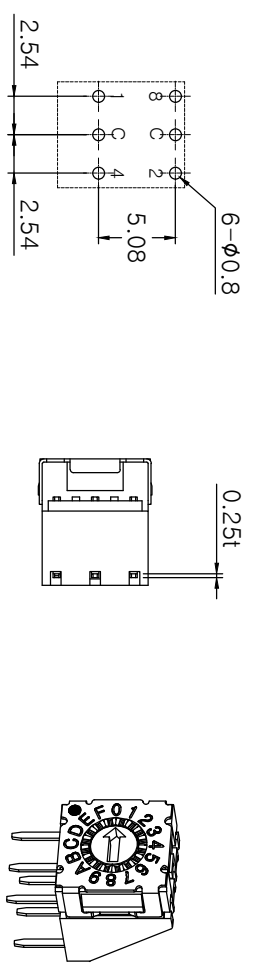
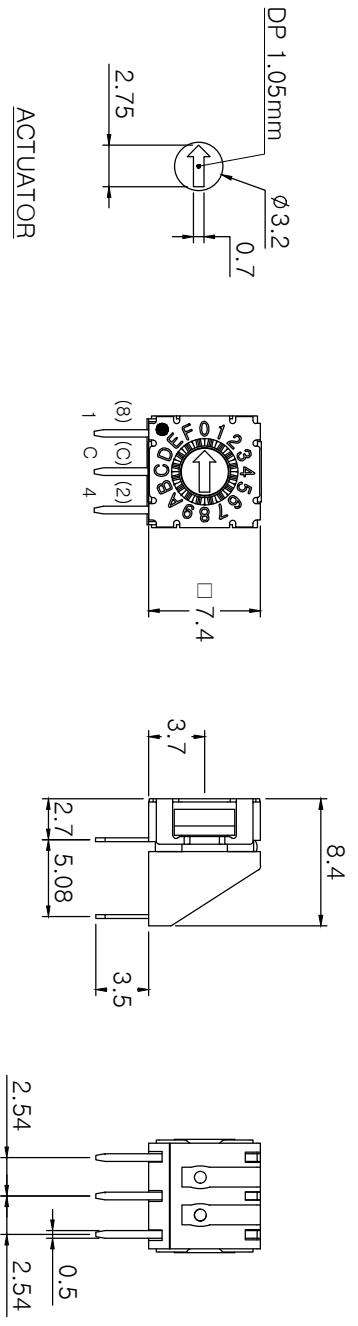
Address 301-302, Bucheon Technopark 345, Seokcheon-ro, Ojeong-gu
Bucheon-si, Gyeonggi-do, Korea
TEL. +82-32-328-1941~4
FAX +82-32-328-1945
E-mail sungmun@sungmun.co.kr
Website www.sungmun.com



| MRK. | DATE | REVISION | SIGN |
|------|------|----------|------|
| △ | | | |

SPECIFICATION

1. Rating : 100mA, DC 42V (Switching)
400mA, DC 42V (None-Switching)
2. Contact Resistance : 80mΩ Max
3. Insulation Resistance : 100MΩ Min
4. Operating Force : 120±30gf Max
5. Life cycle : 25,000 steps
6. Sealing : IP67 (Dust & Water proof)
7. Packing : 65pcs Tube



P.C.B DIMENSION (Top View)

| Real Coded | | | | | | | | |
|------------|---|---|---|---|---|---|---|---|
| | C | 1 | 2 | 4 | 8 | | | |
| 0 | ● | | | | | | | 0 |
| 1 | ● | ● | | | | | | 1 |
| 2 | ● | | ● | | | | | 2 |
| 3 | ● | | | ● | | | | 3 |
| 4 | ● | | | | ● | | | 4 |
| 5 | ● | | | | | ● | | 5 |
| 6 | ● | | | | | | ● | 6 |
| 7 | ● | | | | | | ● | 7 |
| 8 | ● | | | | | | | 8 |
| 9 | ● | | | | | | ● | 9 |
| 10 | ● | | | | | | | A |
| 11 | ● | | | | | | ● | B |
| 12 | ● | | | | | | | C |
| 13 | ● | | | | | | ● | D |
| 14 | ● | | | | | | | E |
| 15 | ● | | | | | | | F |

| | | | | | |
|---------------|------------|------------|-------------|-------|-------------------|
| DRAW/DESIGNED | CHECKED | APPROVED | UNIT | G.TOL | TITLE |
| Y.S KIM | B.S KANG | K.I LEE | mm | ±0.3 | ROTARY DIP SWITCH |
| 2021-08-19 | 2021-08-19 | 2021-08-20 | SCALE | 4:1 | MODEL NO. |
| | | | SIZE | A4 | DRAW NO. |
| | | | MSDR-16H-03 | | REV. |
| | | | | | 03 |

1. Style:

This specification describes "7.4X7.4 size of Mini Rotary Dip Switch" which is M series.

1.1 Operating / Storage Temperature Range : -60°C ~ +125°C

2. Rating:

2.1 None-Switching : 400 mA, DC 42V

2.2 Switching : 100 mA, DC 42V

3. Type of Actuation : Rotating

4. Electrical Characteristics

| ITEM | DESCRIPTION | TEST CONDITIONS | REQUIREMENTS |
|------|---------------------------------|--|--|
| 4-1 | Visual Examination | By visual examination check without any out pressure & testing. | There shall be no defects that affect the serviceability of the product. |
| 4-2 | Contact Resistance | ① To be measured between the two terminals associated with each switch pole. ② Measurements shall be made with a 1kHz shall current contact resistance meter. | 80mΩ max. (initial) |
| 4-3 | Insulation Resistance | 250V DC | 100 MΩ min. |
| 4-4 | Dielectric withstanding Voltage | 250V AC(50Hz or 60Hz)shall be applied between all the adjacent terminal and between the terminal and the frame for 1 minute. | There shall be no breakdown or flashover. |

5. Mechanical Characteristics

| ITEM | DESCRIPTION | TEST CONDITIONS | REQUIREMENTS |
|------|-----------------|--|--|
| 5-1 | Operation Force | Operating direction shall be clockwise or counter clockwise direction | 120gf·cm ±30 max |
| 5-2 | Operation Life | Measurements shall be made following the test set forth below: 1)100mA, 42V DC resistive load 2)Rate of operation: 15~20 cycles/ minute 3)Step of operation: 25,000 steps | 1)As shown in item 4-3,4-4 2)Contact Resistance: 200mΩ max 3)Final-after test |

6. Environmental Characteristics

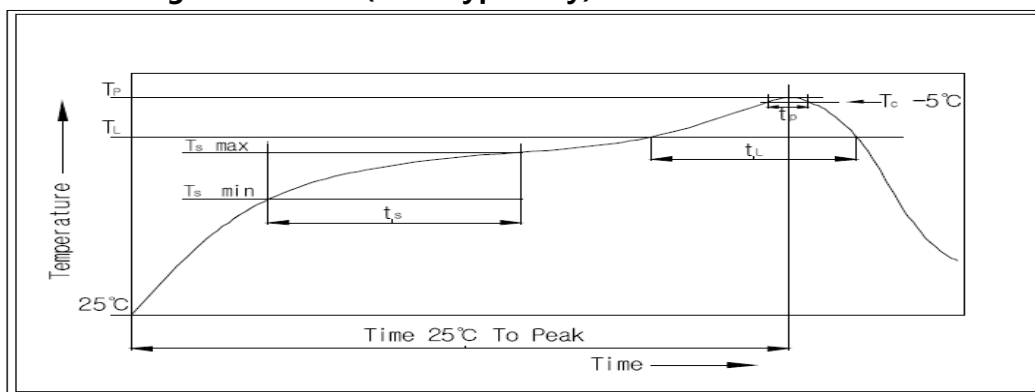
| ITEM | DESCRIPTION | TEST CONDITIONS | REQUIREMENTS |
|------|-----------------------------|--|--|
| 6-1 | Resistance Low Temperature | Following the test set forth below the sample shall be left in normal temperature and humidity conditions for an hour before measurements are made: 1)Temperature: -60°C ±3°C 2)Time: 96 hours | 1)As shown in item 4-3, 4-4, 5-1 2)Contact Resistance: 200mΩ max |
| 6-2 | Resistance High Temperature | Following the test set forth below the sample shall be left in normal temperature and humidity conditions for an hour before measurements are made: 1)Temperature: 125°C ±2°C 2)Time: 96 hours | 1)As shown in item 4-3, 4-4, 5-1 2)Contact Resistance: 200mΩ max |
| 6-3 | Resistance Humidity | Following the test set forth below the sample shall be left in normal temperature and humidity conditions for an hour before measurements are made: 1)Temperature: 40°C ±2°C 2)Relative humidity: 90~95% 3)Time: 96 hours | 1)As shown in item 4-4, 5-1 2)Contact Resistance: 200mΩ max 3)Insulation Resistance: 10 MΩ min |

7. This item is "RoHS" Compliant

8. Manual Soldering : Max 350°C, 3 sec.

9. Wave Soldering : Max 280°C, 5 sec.

10. Reflow Soldering Conditions: (SMD type only)



10-1 Condition for Soldering

| Profile Feature | Pb-Free Assembly |
|--|------------------|
| Average Ramp-UP Rate(Ts max to TP) | 3°C/second max |
| Preheat | |
| - Temperature Min(Ts min) | 150°C |
| - Temperature Max(Ts max) | 200°C |
| - Time (ts min to ts max) | 60-180seconds |
| Time maintained above: | |
| - Temperature (TL) | 217°C |
| - Time (tL) | 60-150seconds |
| Peak/Classification Temperature(TP) | 260°C +0°C/ -5°C |
| Time within 5°C of actual Peak Temperature(TP) | Min 30 seconds |
| Ramp-Down Rate | 6°C/sec max |
| Time 25°C to Peak Temperature | 8 minutes max |

单击下面可查看定价，库存，交付和生命周期等信息

[>>SUNGMUN\(韩国星纹电子\)](#)