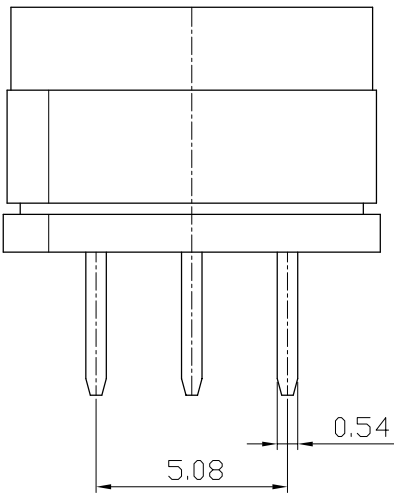
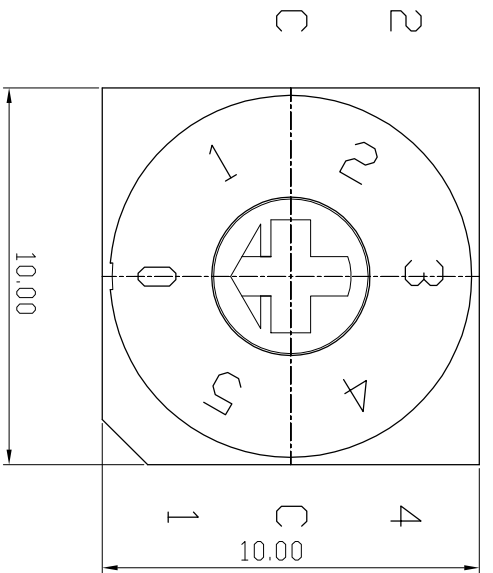


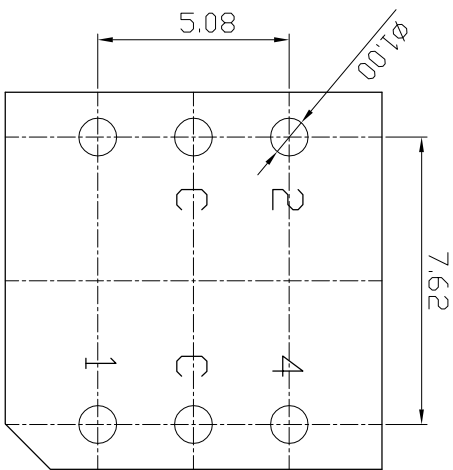
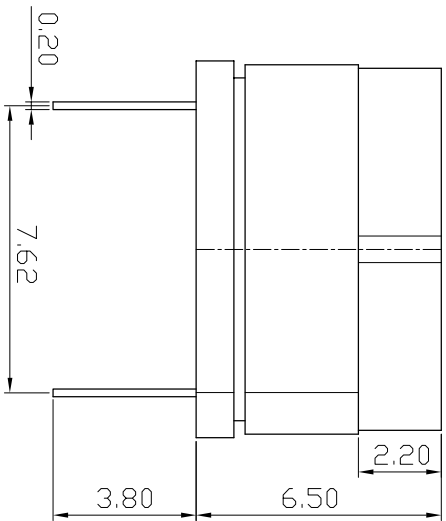
SPECIFICATION

MARK	DATE	REMARKS
△		
△		

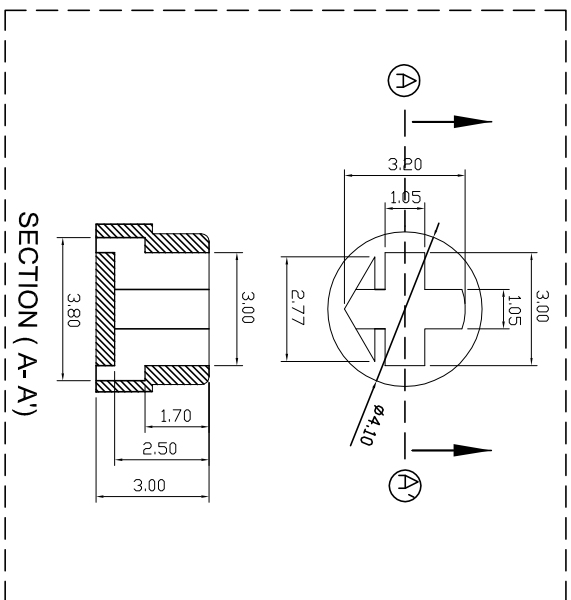
1. Rating : 150mA, 42V DC (Switching)
200mA, 42V DC (None-Switching)
2. Contact Resistance : 80mΩ Max
3. Insulation Resistance : 100MΩ Min
4. Operating Force : 700gf Max
5. Life cycle : 10,000 steps



Position	Real Coded				
	C	1	2	4	8
6	●				
5	●				
4	●				
3	●				
2	●	●			
1	●		●		
0	●			●	



P.C.B DIMENSION



APPD	CHKD	D'SGCD	TITLE
K.L LEE	J.P ROH	W.J LEE	ROTARY DIP SWITCH
MODEL NO.			TER-06
SUNGMUN ELECTRONICS CO., LTD.			REV A

单击下面可查看定价，库存，交付和生命周期等信息

[>>SUNGMUN\(韩国星纹电子\)](#)