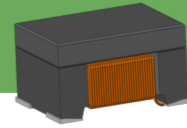


Wire Wound Chip Common Mode Choke –AMCW -B Series



Operating Temp : -40°C ~+150°C

FEATURES

- ◆ Winding type realizes small size and low profile
- ◆ Suppression of common mode noise at high frequency
- ◆ Excellent solderability
- ◆ AEC-Q200 verified

APPLICATIONS

- ◆ Common mode noise filtering for automotive CAN-BUS and signal line.

PRODUCT IDENTIFICATION

1	2	3	4	5	6
AMCW	3225	B	-2	-110	T

1 Type	
AMCW	Wire Wound Chip Common Mode Choke for Automotive

2 External Dimensions (L×V) (mm)	
3225 [1210]	3.2×2.5
4532 [1812]	4.5×3.2

3 Code	
B	for CAN-BUS

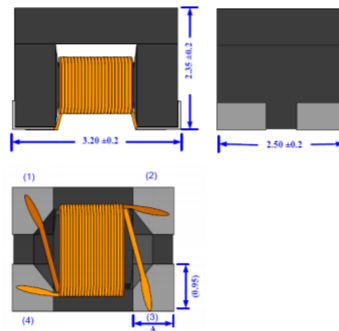
5 Inductance(uH)	
Example	Nominal Value
110	11
220	22
510	51
101	100

4 Number of Lines	
	2

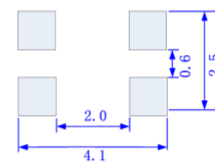
6 Packing	
T	Tape & Reel

SHAPE AND DIMENSIONS

AMCW3225B TYPE



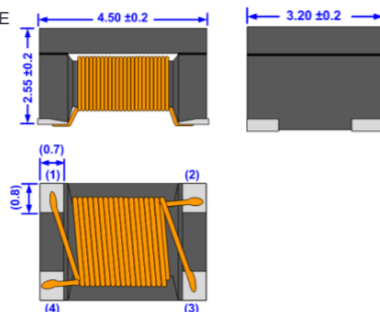
Recommended Land Pattern



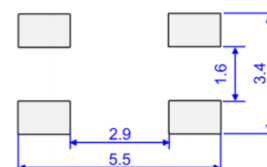
Unit: mm

Part Number	A
AMCW3225B-2-110T/220T	0.80mm
AMCW3225B-2-510T/101T	0.70mm

AMCW4532B TYPE



Recommended Land Pattern



SPECIFICATIONS AMCW3225B TYPE

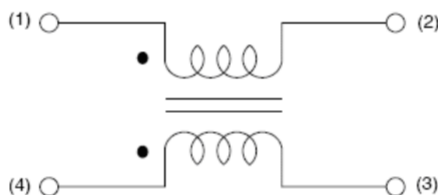
Part Number	Inductance	DC Resistance	Rated Current	Rated Voltage	Insulation Resistance
	+50%/-30%	Max.	Max.	Max.	Min.
Units	uH	Ω	mA	Volts	M Ω
Symbol	L	DCR	I _r	V _{DC}	IR
AMCW3225B-2-110T	11(@100KHz/0.1V)	0.3	400	80	10
AMCW3225B-2-220T	22(@100KHz/0.1V)	0.5	300	80	10
AMCW3225B-2-510T	51(@100KHz/0.1V)	1.5	200	80	10
AMCW3225B-2-101T	100(@100KHz/0.1V)	2.2	150	80	10

AMCW4532B TYPE

Part Number	Inductance	DC Resistance	Rated Current	Rated Voltage	Insulation Resistance
	+50%/-30%	Max.	Max.	Max.	Min.
Units	uH	Ω	mA	Volts	M Ω
Symbol	L	DCR	I _r	V _{DC}	IR
AMCW4532B-2-110T	11(@ 100KHz/0.1V)	0.5	360	50	10
AMCW4532B-2-220T	22(@ 100KHz/0.1V)	0.8	310	50	10
AMCW4532B-2-510T	51(@ 1.0MHz/0.1V)	1.0	230	50	10
AMCW4532B-2-101T	100(@ 1.0MHz/0.1V)	2.0	200	50	10

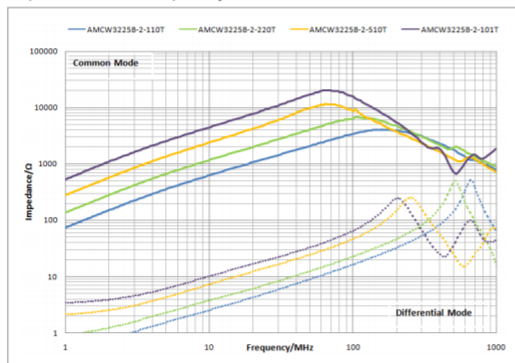
※: Products with other electrical characteristics can be provided upon customer's request. Please contact your local sales.

EQUIVALENT CIRCUIT

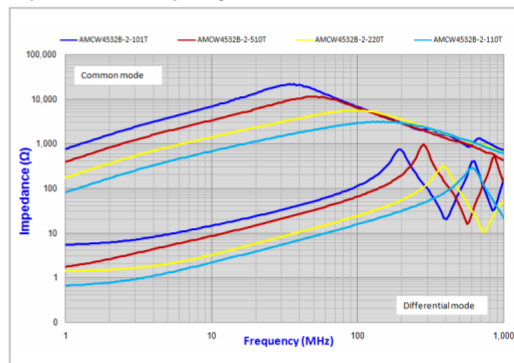


TYPICAL ELECTRICAL CHARACTERISTICS

AMCW3225B TYPE
Impedance vs. Frequency



AMCW4532B TYPE
Impedance vs. Frequency



单击下面可查看定价，库存，交付和生命周期等信息

[>>Sunlord\(顺络\)](#)