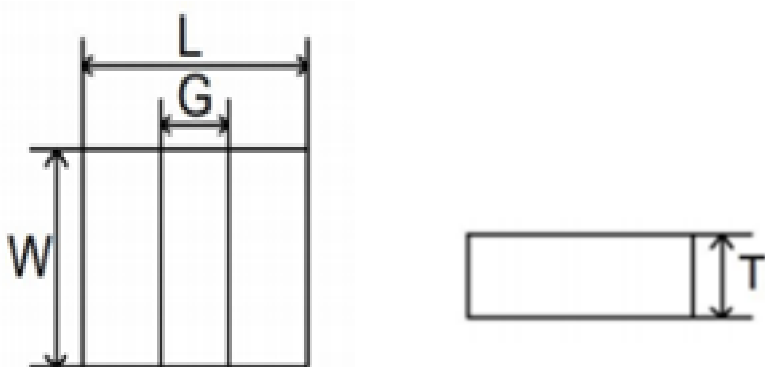


1. Features

1. molding powder inductor.
2. Compact design.
3. High current , low DCR , high efficiency.
4. Very low acoustic noise and very low leakage flux noise.
5. High reliability.
6. 100% Lead(Pb)-Free and RoHS compliant.

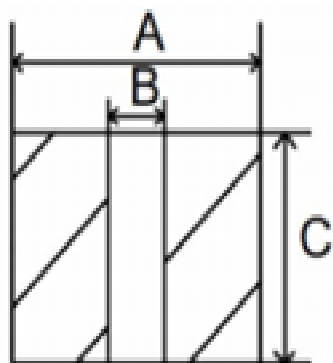


2. Dimensions



	L	W	G	T
Size (mm)	3.0±0.1	3.0±0.1	1.0±0.2	1.8±0.2

3. Recommend Land Pattern Dimensions



A	2.9 REF
B	0.9 REF
C	2.9 REF

Unit : mm

4.Specifications

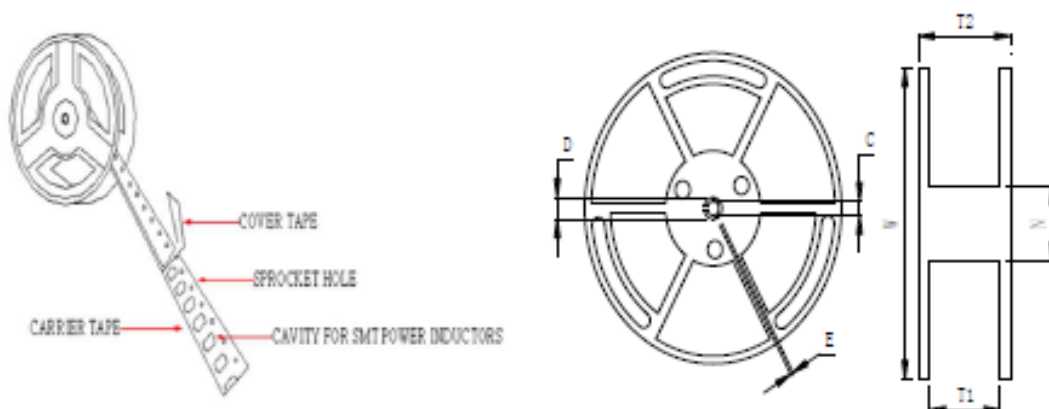
Part Number	L0 Inductance (μ H) @ (0A)	DCR ($m\Omega$)	Heat Rating Current DC Amps. Idc (A)	Saturation Current DC Amps. Isat (A)
		Max		
SLO0320T1R0MTT	1.0	19.2	6	7.3

NOTES:

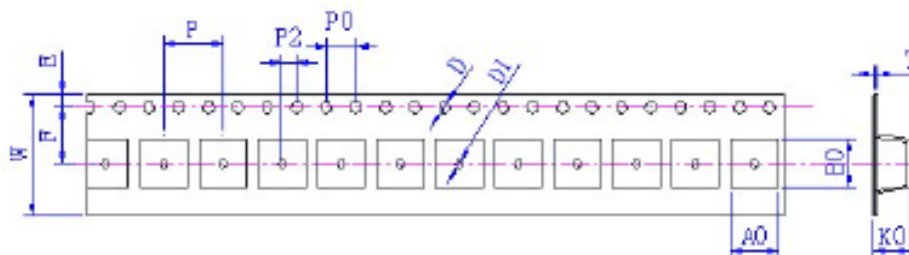
1. Idc : DC current (A) that will cause an approximate ΔT of 40°C.
2. Isat : DC current (A) that will cause Lo to drop approximately 30%YTP
3. All test data is referenced to 25°C ambient
4. Operating Temperature Range -55°C to +125°C
5. The part temperature (ambient + temp rise) should not exceed 125°C under the worst operating conditions. Circuit design, component placement, PWB trace size and thickness, airflow and other cooling provisions all affect the part temperature.
Part temperature should be verified in the end application.
6. TEST FREQUENCY:100KHz,1.0V
7. TESTING INSTRUMENT L :Agilent4284A,WK4235,CH3302/G LCR METER
CH1320,CH1320S BIAS CURRENT SOURCE
R_{dc} :CH502BC MICRO OHMMETER

5. Packaging Information

TYPE	W	D	C	T1	N	E	T2
12.0mm	330±1.5	21.0±0.8	13.0±0.5	13.5+0.5-0	100.0±2	2.00±0.5	14.5±0.5



W1	12.0±0.3
F	5.5±0.1
P	8.0±0.1
A0	3.3±0.1
B0	3.3±0.1
K0	2.1±0.1
T	0.35±0.05



1. Prepare 20cm before packing, and 40cm in the end.
2. Products putting direction : marking up ground , and keep the all products in same direction.
3. Packing quantity : 3000pcs/reel.

单击下面可查看定价，库存，交付和生命周期等信息

[>>Sunltech\(韩国顺磁\)](#)