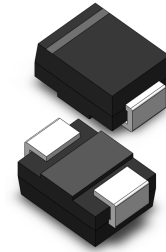


VOLTAGE RANGE: 50 - 600V
CURRENT: 2.0 A

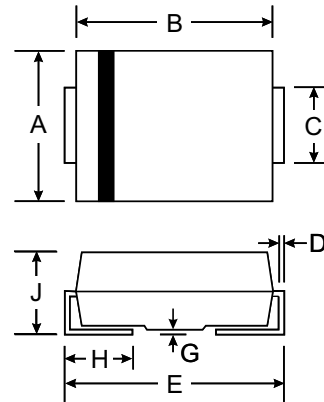


Features

- Glass Passivated Die Construction
- Ideally Suited for Automatic Assembly
- Low Forward Voltage Drop, High Efficiency
- Low Power Loss
- Super-Fast Recovery Time
- Plastic Case Material has UL Flammability Classification Rating 94V-O

Mechanical Data

- Case: SMB/DO-214AA, Molded Plastic
- Terminals: Solder Plated, Solderable per MIL-STD-750, Method 2026
- Polarity: Cathode Band or Cathode Notch
- Marking: Type Number
- Weight: 0.093 grams (approx.)



SMB(DO-214AA)		
Dim	Min	Max
A	3.30	3.94
B	4.06	4.70
C	1.91	2.21
D	0.15	0.31
E	5.00	5.59
G	0.10	0.20
H	0.76	1.52
J	2.00	2.62
All Dimensions in mm		

Maximum Ratings and Electrical Characteristics T_A = 25°C unless otherwise specified

Single phase, half wave, 60Hz, resistive or inductive load. For capacitive load, derate current by 20%.

Characteristic	Symbol	ES2A	ES2B	ES2C	ES2D	ES2E	ES2G	ES2J	Unit	
Peak Repetitive Reverse Voltage	V _{RRM}									
Working Peak Reverse Voltage	V _{RWM}	50	100	150	200	300	400	600	V	
DC Blocking Voltage	V _R									
RMS Reverse Voltage	V _{R(RMS)}	35	70	105	140	210	280	420	V	
Average Rectified Output Current @ T _L = 75 °C	I _O	2.0							A	
Non-Repetitive Peak Forward Surge Current 8.3ms Single half sine-wave superimposed on rated load (JEDEC Method)	I _{FSM}	50							A	
Forward Voltage @ I _F = 2.0A	V _{FM}	0.95				1.25		1.7	V	
Peak Reverse Current @ T _A = 25°C At Rated DC Blocking Voltage @ T _A = 100°C	I _{RM}	5.0				200				μA
Reverse Recovery Time (Note 1)	t _{rr}	35								nS
Typical Junction Capacitance (Note 2)	C _j	62								pF
Typical Thermal Resistance (Note 3)	R _{θJL}	40								°C/W
Operating and Storage Temperature Range	T _j , T _{STG}	-65 to +150							°C	

Note: 1. Measured with I_F = 0.5A, I_R = 1.0A, I_{rr} = 0.25A. See figure 5.
 2. Measured at 1.0 MHz and applied reverse voltage of 4.0 V DC.
 3. Mounted on P.C. Board with 8.0mm² land area.

RATING AND CHARACTERISTIC CURVES ES2A THRU ES2J

Fig. 1 - REVERSE RECOVERY TIME CHARACTERISTIC AND TEST CIRCUIT DIAGRAM ES1A THRU ES1G

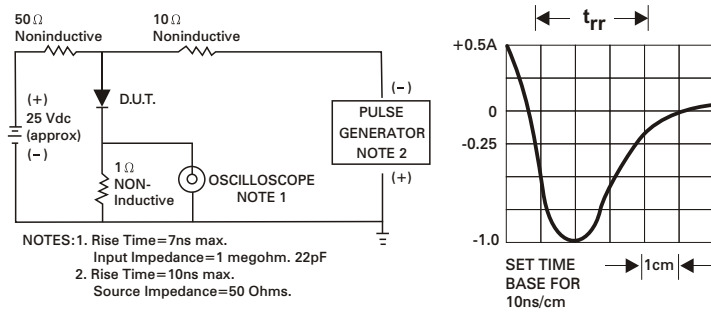


Fig. 2 - MAXIMUM AVERAGE FORWARD CURRENT RATING

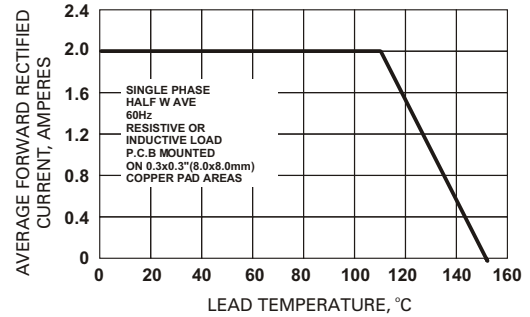


Fig. 3 - TYPICAL REVERSE CHARACTERISTICS

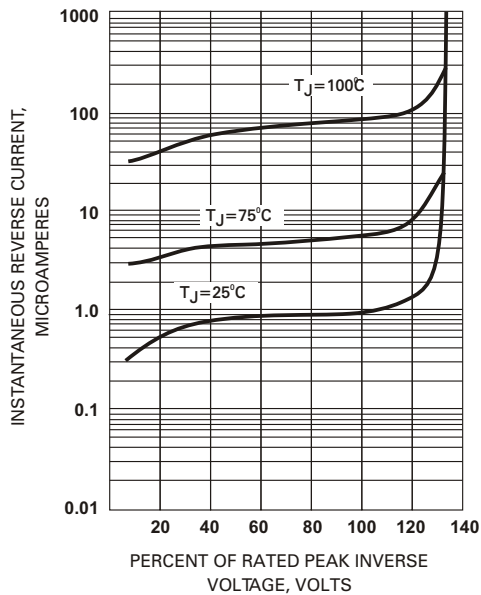


Fig. 4 - TYPICAL FORWARD CHARACTERISTICS

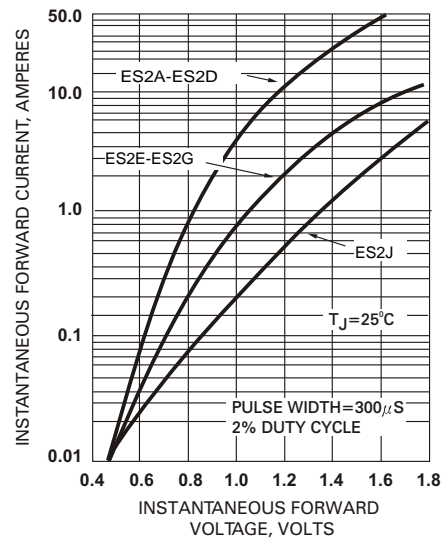


Fig. 5 - MAXIMUM NON-REPETITIVE PEAK FORWARD SURGE CURRENT

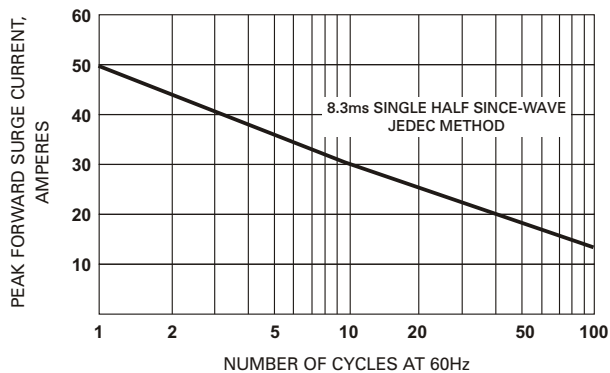
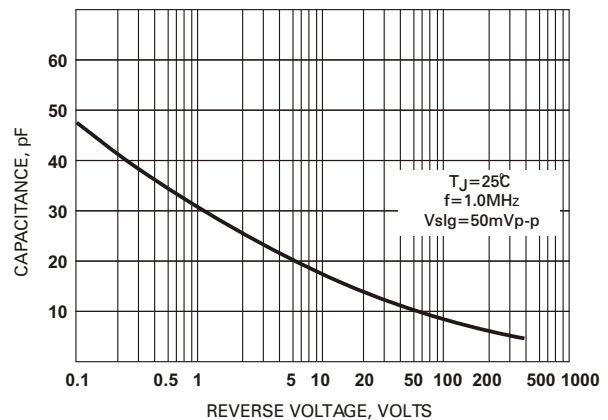


Fig. 6 - TYPICAL JUNCTION CAPACITANCE



单击下面可查看定价，库存，交付和生命周期等信息

[>>SUNMATE\(森美特\)](#)