

SUNON®



*All products are **RoHS** compliant.

DC Brushless Fan & Blower

MagLev®

about Sunon

Sunon was founded in 1980 and has always upheld the philosophy of “Brand, Innovation, and Value” for their business operations. From the start, the Sunon name has become an international trademark that is well recognized and featured on products sold worldwide. Over the years, Sunon has continuously focused on developing and making innovations for their core motor technology, leading the industry in product trends for motors, cooling fans, and cooling modules. Sunon is one of the few operations in the world with a motor R&D team and is fully capable of developing innovative new motor designs. Examples for the R&D efforts are the world’s first MagLev design and Sunon Mighty Mini series, featuring a compact sub-centimeter size that is the world’s smallest and thinnest fan. Today, Sunon is the worldwide leader in precision motors and micro miniature fans, and is widely recognized by the industry as the designated partner for various multinational corporations. Sunon products are widely used in various applications and industries such as information technology, network communications, optoelectronics, and automobile electronics industries, as well as in industrial production equipment, medical equipment, home applications, OA machines, and others.

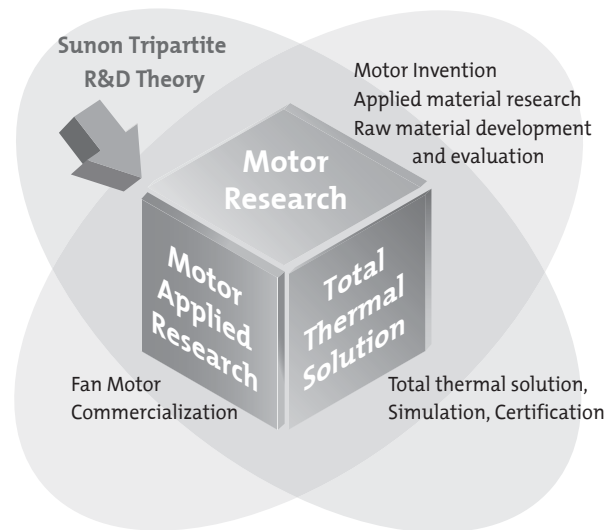
Sunon Research Center the Driving Engine for Inventions and Innovations

Sunon established the “Sunon Research Center” in Kaohsiung in 2002 to promote and execute the innovation blueprint for Sunon Group. Research labs and engineers from Europe, America, Japan, and China are centralized to form a worldwide technological service network for quick and efficient services.

Key Modules for Innovating Core Motor Technology

Sunon has been researching their motor technology for over 30 years and adhering to the Sunon R&D Trinity as their innovation roadmap, focusing on the three major technology fields of “Motor Research,” “Motor Applied Research,” and “Total Thermal Solution.” Sunon strives to expand the endless possibilities and optimization of motor applications and will continue to make breakthroughs and product innovations. The efforts will push Sunon to the front of the technology curve and clients will be able to realize their future dream products with the three key Sunon products of motors, cooling fans, and cooling modules.

Sunon has the capacity to design and implement the complete magnetic, mechanical, and driving circuit of a motor to conform to client design specifications. With the efforts of the mechanism and electrical circuit engineering teams, Sunon recognizes the needs of their clients regarding cooling modules and can provide flexible designs for high performance and high quality cooling fans. Sunon utilizes advanced simulation systems and analysis projects that result in an even more accurate heat analysis and heat dissipation design for the system. Subsequently the most efficient total thermal solution can be provided to the client.



about Sunon MagLev

The Sunon patented MagLev design is based on magnetic principles and forces that not only propel the fan but also ensure stable rotation over its entire 360 degrees of movement. Utilizing the attraction of the magnetic levitation force, MagLev eliminates the wobbling and shaking problems of traditional motor fans. With this new technology, the MagLev fan propeller is suspended in air during rotation so that the shaft and bearing do not come into direct contact with each other to create friction. These features result in a fan with **low acoustic noise level**, **high-temperature endurance**, and **longer lifespan**.

Comparison between MagLev and General Motor Fans

(A) Sunon MagLev Fan

Labels: stator, maglev plate, the center of gravity is lower

Possesses 3 important factors:
the maglev plate, the magnet and the stator

The resulting interaction between the maglev plate and the magnet pulls the rotor downward along the entire 360-degree surface. Due to the lower center of gravity, the rotor runs in a more stable consistent orbit.

(B) General Fan

Labels: stator, magnet, the center of gravity is higher

2 factors:
the magnet and the stator

The general fan utilizes a deviating magnetic center to attract the rotor downward. This technology causes the rotor to vibrate violently, due to the lack of a consistent orbit as well as a deviation of the magnetic center.

SUNON MagLev prevents the defects of conventional fans

| | Deficiencies of Traditional Motors | Sunon MagLev Solution |
|-----------------------|--|--|
| Sleeve Bearing | <ul style="list-style-type: none"> ● Weight of rotor is entirely loaded on to the shaft. Abrasive rotation between shaft and bearing will result in an irregular and rough surface on the inner surface of bearing bore. The fan motor rotation becomes uneven and in turn, causes operational noise and shortens fan life. ● The oil ring and mylar washer not only results in added friction area but also blocks the heated air, which, if not released before solidification, would become nitride particles that clog up in the gap between shaft and bearing bore, then causing a much slower rotation of rotor and noise. | <ul style="list-style-type: none"> ● The entire weight of the rotor is completely attracted by the magnetic force in any mounted position, keeping the motor rotating evenly at a fixed point in a consistent distance from the inner surface of the bearing. No more traditional rubs and noise will occur. ● The oil rings, the washers are no longer used in MagLev structure. ● For customized use, MagLev design allows an operating temperature higher than 70°C. |
| Ball Bearing | <ul style="list-style-type: none"> ● When the fan motor is operating, the steel balls inside will generate a higher rotational noise than that of a sleeve bearing. ● The construction of Ball bearings is quite weak and unable to absorb external impact. The bearings can be easily damaged, causing louder rotational noise. | |

SUNON Sound Quality Analysis and Research

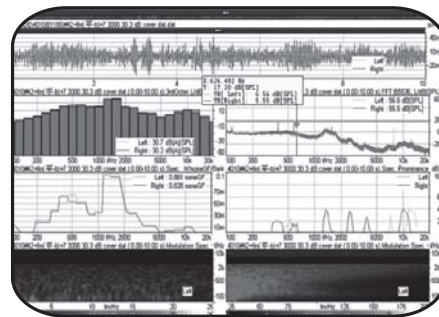
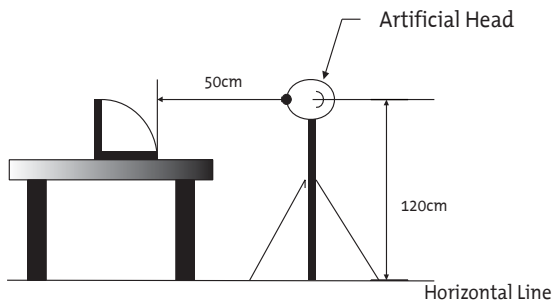
Sunon introduced acoustics engineering in the year 2000 to transform the traditional school of Sound Pressure and Sound Power into the more advanced theory of Sound Quality. Sunon's Sound Quality analysis and research is performed by Head Measurement System (HMS). The HMS system records and simulates the auditory senses of the human ears, where the sounds, vibration, rotation speed, and electrical signals are measured. The software subsequently performs time domain and sound quality parameter analysis to assist the acoustics engineers in allowing Sunon products to feature a more favorable sound quality. The expertise and experience of the acoustics engineer combined with the software analysis will result in an even more user-friendly environment that is rivaled by none.

Sound Quality Testing

Sound quality is measured in a semi anechoic chamber by means of Head Measurement System (HMS).

The Sound quality of fans can be described according to the objective parameter of sound (Loudness, Tonality, Roughness/Fluctuation, Sharpness).

After the recording of acoustic signals, the data is performed the FFT, order Psycho acoustic And modulation analyses and playback diagnosis in order to improve the sound quality of fans.



The mobile Sound Quality Laboratory SQlab II

SQlab II is a compact, mobile multi-channel measurement system for acoustic analysis, vibration investigation and sound design. It is used wherever investigation of sound quality should be combined with vibrational measurements.

The comparison of vibrational measurements with acoustic signals enables the user to draw direct conclusions from sound sources and their sound quality. For this purpose, SQlab II is able to measure aurally-accurate recordings of sound events using an Artificial Head and vibration data with accelerometers, etc. at the same time. Thus, correlations between the subjective aural impressions of sound events (airborne sound) and the related sources (vibration, solid-borne sound) as well as transfer mechanisms become apparent. This is the basis for sound optimization. Moreover, SQlab II can be used as a "stethoscope" for error analysis.

The Analysis Software

It can analyze, filter, display and document acoustic and vibration measurement data in a wide range of modes. Yet an outstanding feature of this software is the possibility of including the aural sense of the human user in signal analysis.

HEADphone Playback System

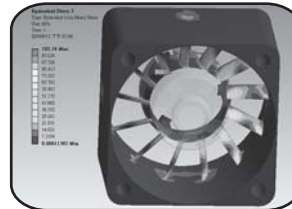
The digital 24 bit HEADphone Playback System HPS IV is complementary to the Head Measuring System HMS III. Conditioning of audio data for aurally-accurate playback is via equalization of the acoustic signal in the programmable Equalizer PEQ IV, with subsequent amplification via the Power Amplifier PVA IV.2. Two electrostatic headphones can be connected to the playback system, which are individually calibrated and correspondingly driven.

SUNON Total Thermal Solution

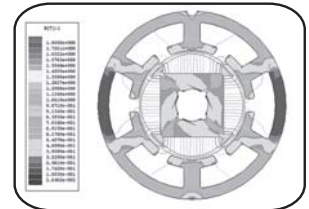
Sunon introduced its first chip cooling module in 1993, it has continued to rely on its impressive R&D team to also succeed in the laptop computer cooling module market. Sunon's innovative technology and superior design talent have consistently won customers' trust. In addition to Sunon's cutting-edge cooling fan products, it also offers laptop, VGA card, Desk Top, and server product designs. Sunon's cooling module product line ranges from low-end to high-end, enabling it the ability to provide customers with "Total Thermal Solutions."

Sophisticated Tools Strengthen Design and Quality

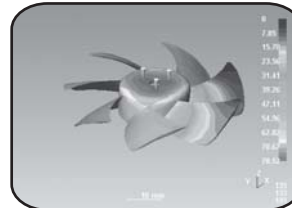
Apart from optimized design and superior R&D, we use infrared (IR) thermal imagers in module design work to make precise measurements of module temperatures, thereby avoiding the use of conventional thermocouples to measure temperatures. Our R&D personnel can instead rely on IR images to get a clear understanding of system temperature distribution. The data from our thermal imaging reports allow us to provide a clear system-wide thermal and cooling design analysis. In order to give customers the best quality guarantee, we go well beyond industry standards in production, assembly, inspection equipment design and deployment. We have also committed large amounts of manpower and material resources, and adopted the newest hardware and software equipment in our quest for quality. For instance, our thermal inspection systems can fully simulate thermal resistance measurements and pressure settings within systems and measure thermal resistance simultaneously at six different points. Precise measurements of pressure settings enable simulation of pressure within the system, making measurements even more accurate and protecting product quality by ensuring that excessive pressure doesn't cause product deformation. Furthermore, independent bar codes on each product ensure effective product tracking and improve the quality of after-sales service. We can satisfy our customers' needs for various types of customized cooling modules while meeting the highest quality requirements.



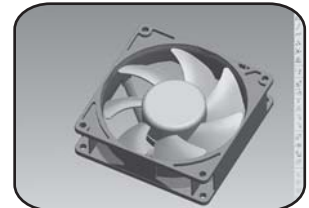
Structural Simulation analysis



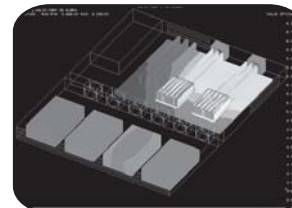
Magnetization Simulation analysis



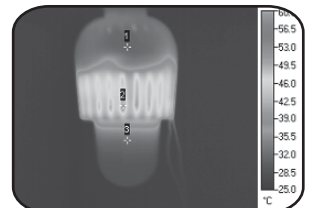
Fluid dynamic analysis



3D model

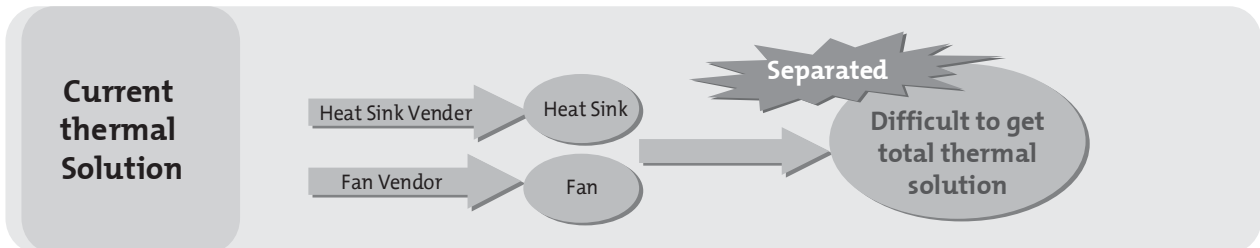
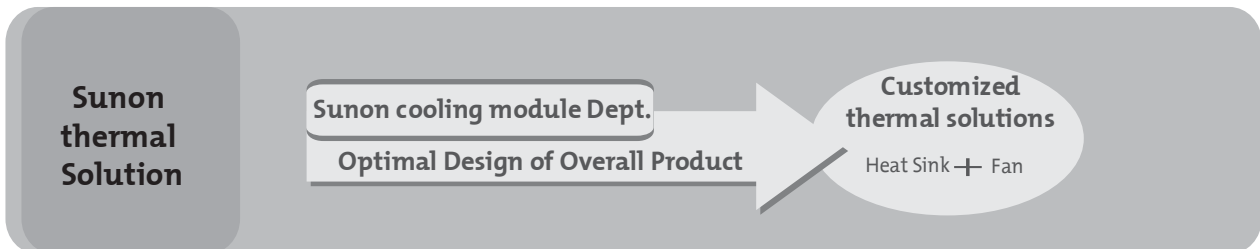


Thermal analysis



IR thermograph inspect

Advantage for Sunon Thermal Solutions Design



Fan 3rd Wire Signal

Fan with switching driving circuit designed for rpm measurement:

These fan motors have three lead wires:

+:Red,

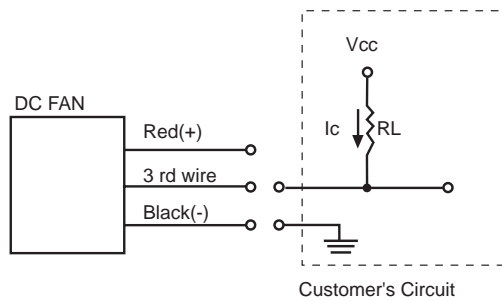
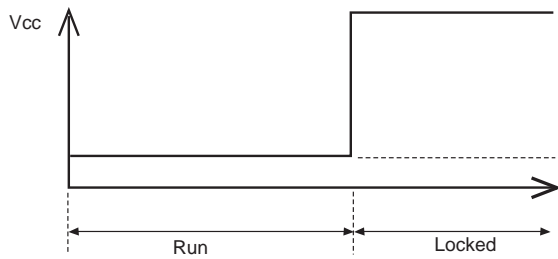
-:Black,

output signal for 3rd wire:

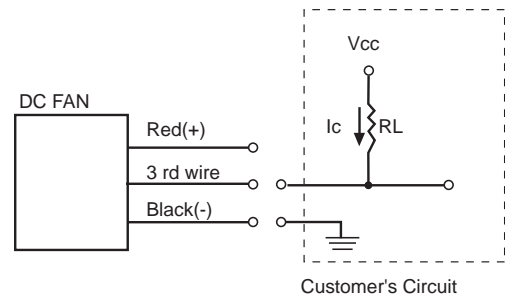
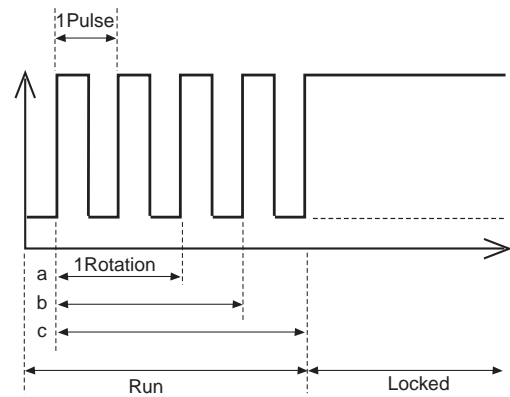
F Type : Yellow

R Type : White

● R Type (Rotation Detector)



● F Type (Frequency Generator)



The relationship between rotation & output pulses signal from 3rd wire are as follows:

(a) 1 Rotation=2 Pulses(4 poles' motor)

(b) 1 Rotation=3 Pulses(6 poles' motor)

(c) 1 Rotation=4 Pulses(8 poles' motor)

Notice:

For 8 poles' motor: normally, 1Rotation=4 pulses, if frequency divided circuit is implemented in this motor then 1Rotation=2 pulses.

Sunon Reliability Verification System

Sunon has 5 reliability testing labs worldwide equipped with the topmost precision verification instruments for testing from the design phase, through pre-production, and into mass production. The complete verification system is computerized and fully automated for precise analysis of product reliability and quality satisfaction to meet the market requirements.

Sunon Production Network

Sunon Group has a total of three manufacturing plants located in both China and Taiwan for production of 8mm~250mm series of fan products, 0.1Watt~60Watt of motor products, and various cooling module products. The overall monthly production output capacity is 16 million units.

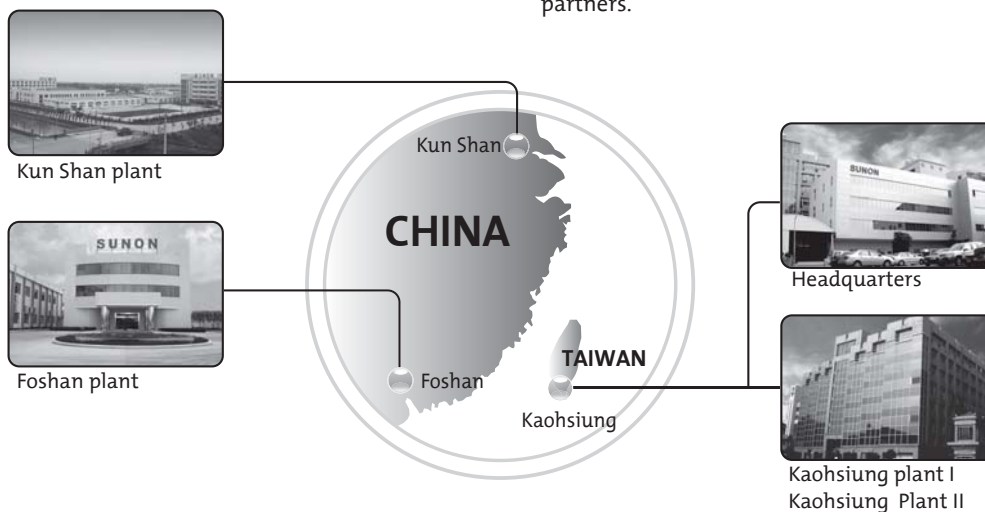
In addition to the MES system that provides clients with the best manufacturing quality, Sunon goes well beyond industry standards in production, assembly, inspection equipment design and deployment. Sunon has also committed large amounts of manpower and material resources, and adopted the newest hardware and software equipment, in our quest for quality. For example, an automated production line for cooling products, the self-developed automated inspection machine for the production line, a heat inspection system capable of six simultaneous measurements, and an independent barcode with each cooling product indicate Sunon's commitment.

Sunon manufacturing bases have obtained certifications for QS9000, ISO9001, ISO14001, ISO/TS16949, and OHSAS18001. Each product has passed UL, TUV, VDE, CCC, CSA certifications and so on.

All Sunon products are RoHS compliant from design phase to mass production.
Sunon is the long-term green partner for SONY, CANON, SAMSUNG and various other multinational companies

Sunon deeply recognizes its corporate duty to protect our earth and the ecosystem and to reduce the use of materials that impact the environment. In light of this, Sunon has been actively promoting green product design, green purchasing, and green manufacturing reforms. All current product series conform to EU RoHS and China RoHS, and Sunon has been selected as the green environment partner for multinational corporations such as SONY, CANON, and SAMSUNG. All of the aforementioned efforts will result in greener products that have the least impact on the worldwide environment.

For improving the quality management system and regulations of hazardous materials contained in the products, Sunon further introduces the IECQ QC080000 to their product production. This will complete the approval and certification process for usage of hazardous materials and the reduction management system, thereby setting up a green quality management system that conforms to international standards for the benefit of Sunon and their partners.



| | |
|--|------|
| | Page |
| Sunon research center | p01 |
| Sunon MagLev | p02 |
| Sunon Sound quality | p03 |
| Sunon total thermal solution | p04 |
| Sunon fan 3rd wire signal | p05 |
| Sunon Production Network | p06 |
| Content | p07 |
| DC Fan & Blower Model Numbering System | p08 |
| New DC Fan & Blower Model Numbering Systemn / Certification & Safety | p09 |

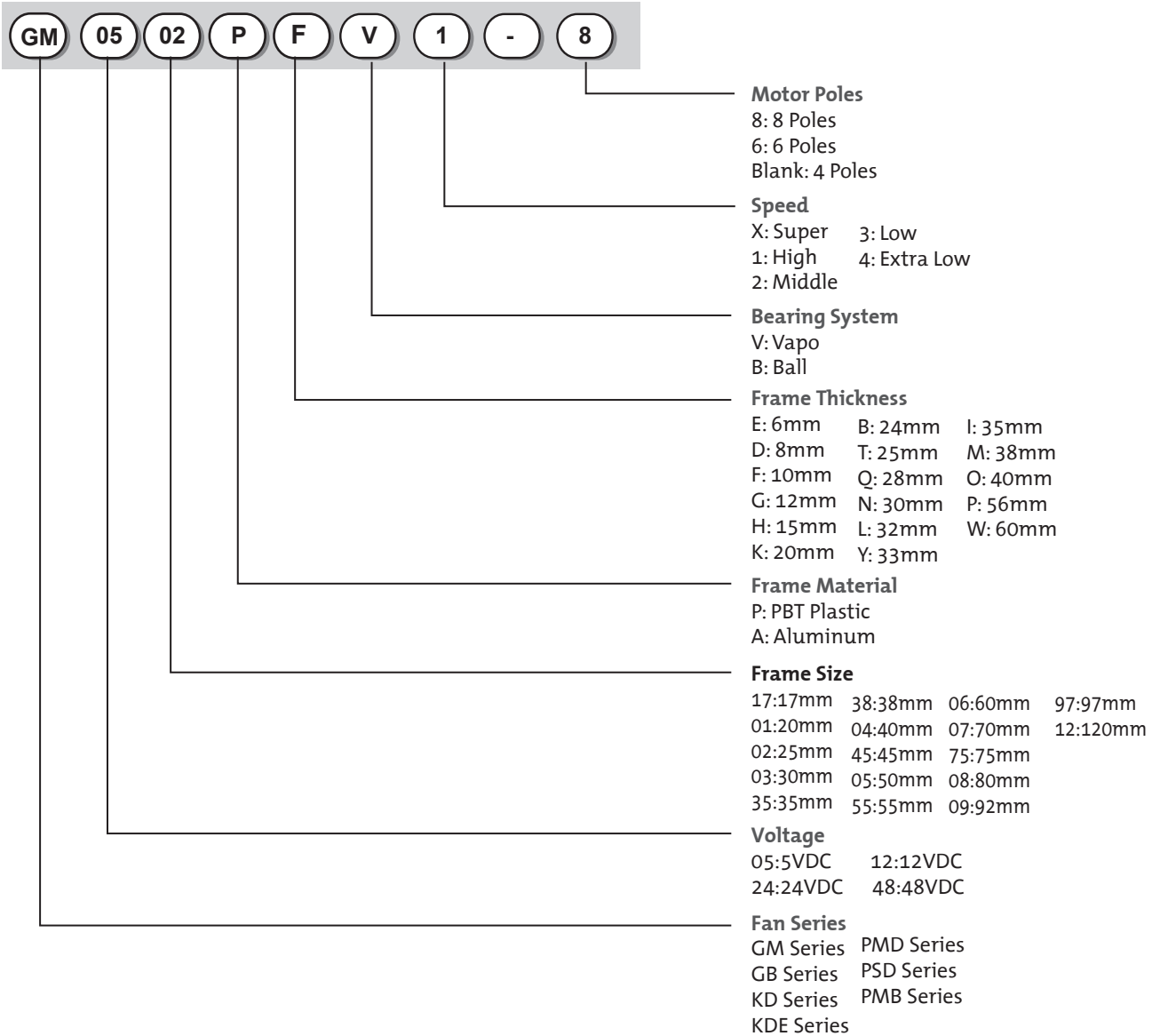
DC Fan

| Size (mm) | Air Flow (CFM) | Page | Size (mm) | Air Flow (CFM) | Page |
|--------------|----------------|------|----------------|----------------|------|
| 17x17x8 | 0.7~0.9 | p10 | 60x60x20 | 19~25.5 | p37 |
| 20x20x8 | 1.3~1.6 | p11 | 60x60x25 | 29~40 | p38 |
| 20x20x10 | 1.5~1.9 | p12 | 60x60x25 | 19.3~27 | p39 |
| 25x25x6 | 2.2~3.0 | p13 | 60x60x38 | 41.5~56.5 | p40 |
| 25x25x10 | 3.0~3.5 | p14 | NEW 60x60x60 | 67 | p41 |
| 25x25x15 | 2.2~3.1 | p15 | 70x70x15 | 19~27 | p42 |
| 30x30x6 | 3.7~4.9 | p16 | 70x70x20 | 37~43 | p43 |
| 30x30x10 | 4.6~5.5 | p17 | 70x70x20 | 23.5~29 | p44 |
| 30x30x15 | 4.8~6.0 | p18 | 70x70x25 | 40~49 | p45 |
| 35x35x6 | 4.3~5.5 | p19 | 70x70x25 | 24~32.5 | p46 |
| 35x35x10 | 6.5~7.0 | p20 | 80x80x15 | 32~40 | p47 |
| 38x38x20 | 10.6~13.5 | p21 | 80x80x20 | 45~53 | p48 |
| 38x38x28 | 12.6~19.0 | p22 | 80x80x20 | 29~39 | p49 |
| 40x40x6 | 5.5~5.9 | p23 | 80x80x25 | 49~60 | p50 |
| 40x40x10 | 7.0~8.0 | p24 | NEW 80x80x25 | 53~60 | p51 |
| NEW 40x40x15 | 14 | p25 | NEW 80x80x25 | 33~45 | p52 |
| 40x40x20 | 6.3~10.8 | p26 | NEW 80x80x32 | 61.9 | p53 |
| 40x40x20 | 6.3~10.8 | p27 | 80x80x38 | 59.5~84.1 | p54 |
| NEW 40x40x24 | 21.6 | p28 | 92x92x25 | 65~77 | p55 |
| NEW 40x40x28 | 23.4 | p29 | NEW 92x92x25 | 65~75 | p56 |
| NEW 40x40x56 | 26.7 | p30 | NEW 92x92x25 | 39.5~55 | p57 |
| 45x45x10 | 9.2~11.0 | p31 | NEW 92x92x32 | 79 | p58 |
| 50x50x10 | 11~13 | p32 | 92x92x38 | 91.7~120.2 | p59 |
| NEW 50x50x15 | 10.2~17 | p33 | 120x120x25 | 120~150 | p60 |
| NEW 55x55x15 | 21.1 | p34 | NEW 120x120x25 | 75~108.2 | p61 |
| 60x60x15 | 15~21 | p35 | 120x120x38 | 153~190 | p62 |
| 60x60x20 | 27.5~30.5 | p36 | NEW 120x120x38 | 93~138 | p63 |

DC Blower

| Size (mm) | Air Flow (CFM) | Page | Size (mm) | Air Flow (CFM) | Page |
|--------------|----------------|------|--------------|----------------|------|
| NEW 35x35x7 | 0.9 | p64 | NEW 60x60x25 | 7.3 | p69 |
| NEW 45x45x20 | 4.6 | p65 | 75x75x30 | 7.5~13.6 | p70 |
| 50x50x15 | 2.3~4.7 | p66 | 97x94x33 | 22.4~30.5 | p71 |
| 50x50x20 | 4.8~5.7 | p67 | 120x120x32 | 31.4~35.9 | p72 |
| 60x60x15 | 3.5~5.2 | p68 | | | |

SUNON DC Fan & Blower Model Numbering System

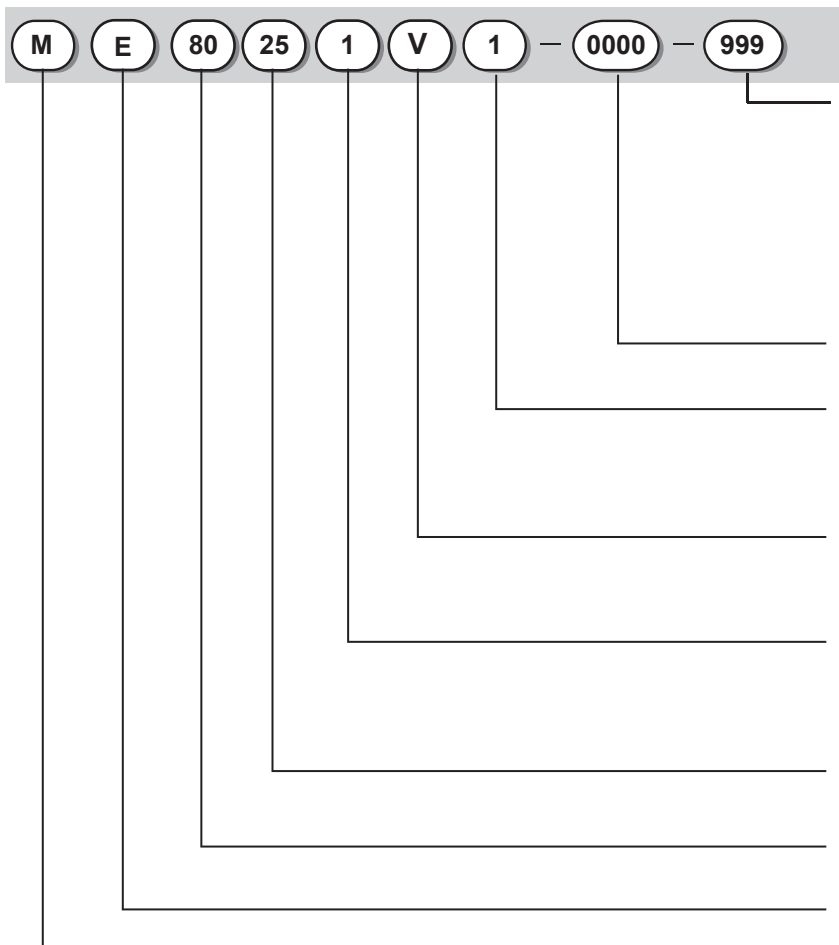


P/N

Example: PMD1206PTVX P/N:U.GN

- 11/13 Motor model
- MS MagLev Design
- (2) Two ball bearing
- G Big hub
- (9) 9 Blades
- N Smaller hub
- A Auto restart
- F 3rd wire with frequency generation waveform
- R 3rd wire with rotation detector waveform
- U Upgrade
- GN RoHS compliance
- X UV Glue
- Z Specific RPM

SUNON New Model Numbering System



Function Code

999: standard model
 A99: AutoRestart
 C99: F type (3rd wire)
 D99: with PWM
 H99: AutoRestart and with PWM
 Q99: AutoRestart , R type and with PWM
 S99: AutoRestart , F type and with PWM

Customer Code

0000 stand for standard model

Speed

X: Super High 3: Low
 1: High 4: Super Low
 2: Medium

Bearing

V: Vapo S: Sleeve
 B: 2 Ball

Voltage

0: 5VDC 3: 36VDC
 1: 12VDC 4: 48VDC
 2: 24VDC

Fan Thickness

0~9; A~Z (except O)

Frame Size

0~9; A~Z (except O)

Motor Type

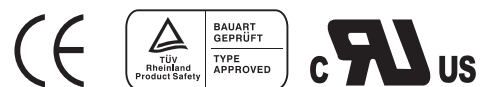
Series Code
 E Series P Series
 M Series

| Code | Size(mm) | Code | Size(mm) | Code | Size(mm) | Code | Size(mm) |
|-------|----------|-------|----------|-------|----------|-------|----------|
| 01~09 | 01~09 | A0~A9 | 100~109 | K0~K9 | 200~209 | V0~V9 | 300~309 |
| 10~19 | 10~19 | B0~B9 | 110~119 | L0~L9 | 210~219 | W0~W9 | 310~319 |
| 20~29 | 20~29 | C0~C9 | 120~129 | M0~M9 | 220~229 | X0~X9 | 320~329 |
| 30~39 | 30~39 | D0~D9 | 130~139 | N0~N9 | 230~239 | Y0~Y9 | 330~339 |
| 40~49 | 40~49 | E0~E9 | 140~149 | P0~P9 | 240~249 | Z0~Z9 | 340~349 |
| 50~59 | 50~59 | F0~F9 | 150~159 | Q0~Q9 | 250~259 | | |
| 60~69 | 60~69 | G0~G9 | 160~169 | R0~R9 | 260~269 | | |
| 70~79 | 70~79 | H0~H9 | 170~179 | S0~S9 | 270~279 | | |
| 80~89 | 80~89 | I0~I9 | 180~189 | T0~T9 | 280~289 | | |
| 90~99 | 90~99 | J0~J0 | 190~199 | U0~U9 | 290~299 | | |

Certification



Safety




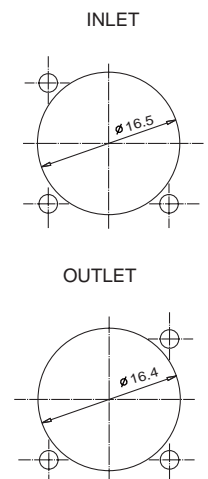
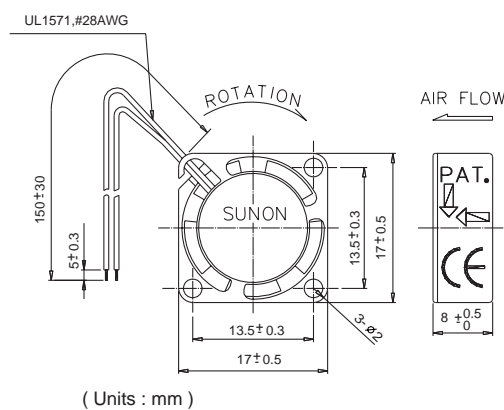
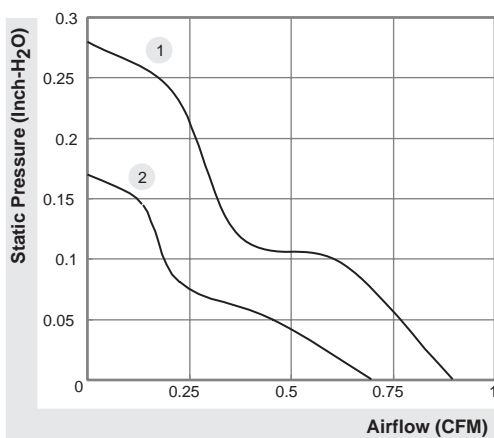
* Note: For critical or extreme environments, including non stop operation, please contact Sunon and we will gladly provide assistance with your product selection to ensure an appropriate cooling product for your application.
 * Note: The "Life Expectancy" of the fan has not been evaluated for use in combination with any end application. Therefore, the Life Expectancy Test Reports(L10 and MTTF Report) that relate to the fan are only for reference.

17x17x8 mm

0.7~0.9 CFM



|  | P/N | Bearing | Rating Voltage (VDC) | Power Current (AMP) | Power Consumption (WATTS) | Speed (RPM) | Air Flow (CFM) | Static Pressure (Inch-H ₂ O) | Noise (dBA) | Weight (g) | Curve |
|---|-----|---------|----------------------|---------------------|---------------------------|-------------|----------------|---|-------------|------------|-------|
| | | ● VAPO | | | | | | | | | |
| GM0517PDV1-8 | GN | ● | 5 | 0.16 | 0.8 | 20000 | 0.9 | 0.28 | 25 | 4.36 | 1 |
| GM0517PDV2-8 | GN | ● | 5 | 0.11 | 0.6 | 15000 | 0.7 | 0.17 | 16 | 4.36 | 2 |

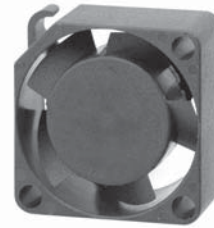



*All model could be customized. Please contact with Sunon Sales.

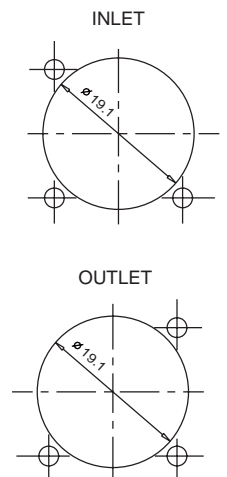
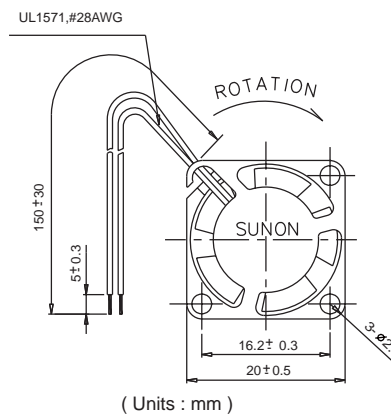
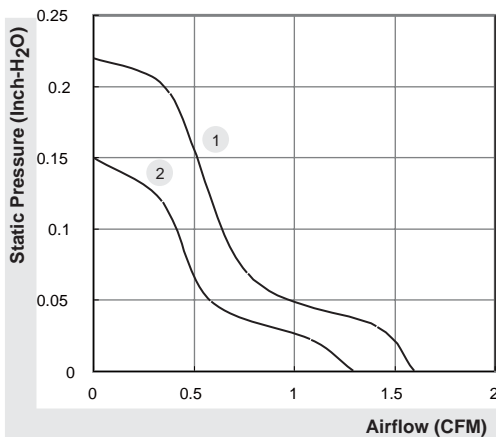
*Specifications subject to change without notice. Please Visit SUNON web site at <http://www.sunon.com> for update information.

20x20x8 mm

1.3~1.6 CFM



|  | P/N | Bearing | Rating Voltage (VDC) | Power Current (AMP) | Power Consumption (WATTS) | Speed (RPM) | Air Flow (CFM) | Static Pressure (Inch-H ₂ O) | Noise (dBA) | Weight (g) | Curve |
|---|-----|---------|----------------------|---------------------|---------------------------|-------------|----------------|---|-------------|------------|-------|
| | | ● VAPO | | | | | | | | | |
| GM0501PDV1-8 | GN | ● | 5 | 0.17 | 0.9 | 15000 | 1.6 | 0.22 | 23 | 4.64 | 1 |
| GM0501PDV2-8 | GN | ● | 5 | 0.11 | 0.6 | 12000 | 1.3 | 0.15 | 21 | 4.64 | 2 |

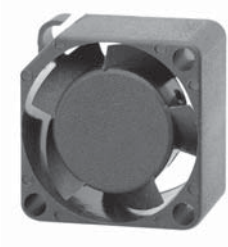



*All model could be customized. Please contact with Sunon Sales.

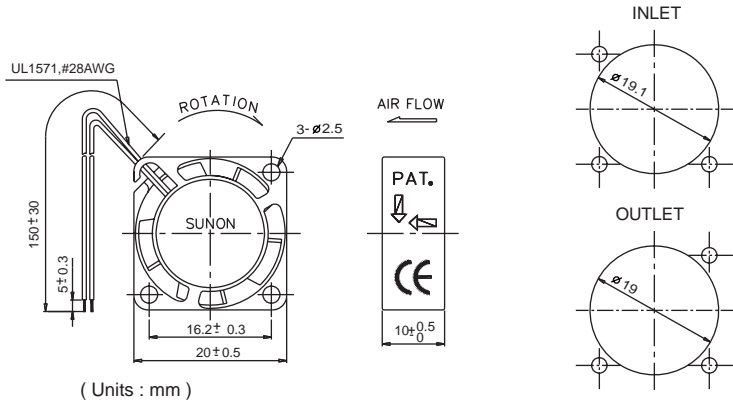
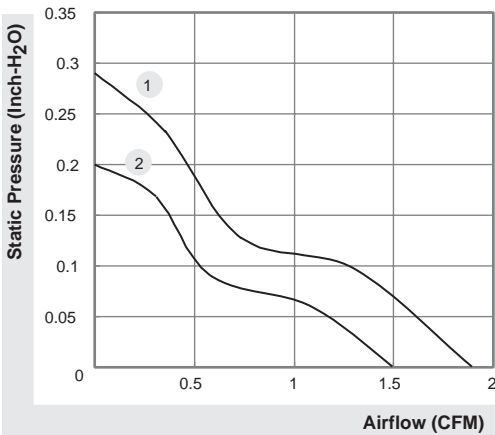
*Specifications subject to change without notice. Please Visit SUNON web site at <http://www.sunon.com> for update information.

20x20x10 mm

1.5~1.9 CFM



|  | P/N | Bearing | Rating Voltage (VDC) | Power Current (AMP) | Power Consumption (WATTS) | Speed (RPM) | Air Flow (CFM) | Static Pressure (Inch-H ₂ O) | Noise (dBA) | Weight (g) | Curve |
|---|------|---------|----------------------|---------------------|---------------------------|-------------|----------------|---|-------------|------------|--------|
| | | | | | | | | | | | ● VAPO |
| GM0501PFV1-8 | N.GN | ● | 5 | 0.21 | 1.1 | 17000 | 1.9 | 0.29 | 25 | 5.5 | 1 |
| GM0501PFV2-8 | N.GN | ● | 5 | 0.18 | 0.9 | 14000 | 1.5 | 0.20 | 20 | 5.5 | 2 |




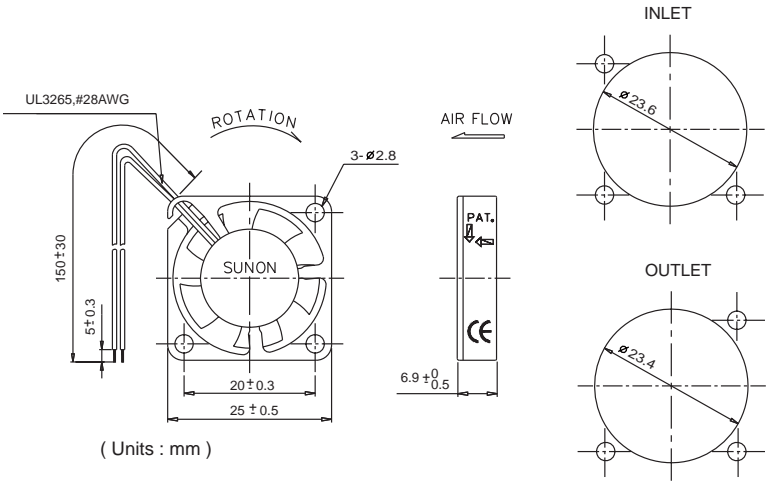
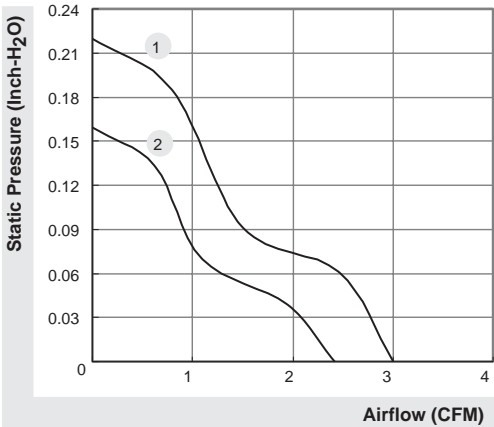
*All model could be customized. Please contact with Sunon Sales.
 *Specifications subject to change without notice. Please Visit SUNON web site at <http://www.sunon.com> for update information.

25x25x6 mm

2.2~3.0 CFM



|  | P/N | Bearing | Rating Voltage (VDC) | Power Current (AMP) | Power Consumption (WATTS) | Speed (RPM) | Air Flow (CFM) | Static Pressure (Inch-H ₂ O) | Noise (dBA) | Weight (g) | Curve |
|---|------|---------|----------------------|---------------------|---------------------------|-------------|----------------|---|-------------|------------|-------|
| | | | | | | | | | | | |
| GM0502PEV1-8 | N.GN | ● | 5 | 0.11 | 0.6 | 13000 | 3.0 | 0.22 | 31 | 5 | 1 |
| GM0502PEV2-8 | N.GN | ● | 5 | 0.08 | 0.4 | 10000 | 2.2 | 0.16 | 23 | 5 | 2 |




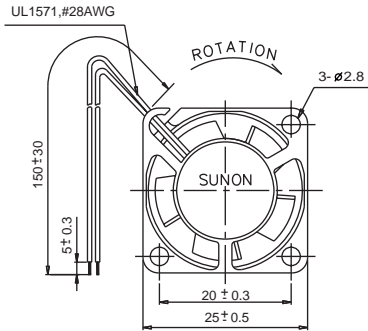
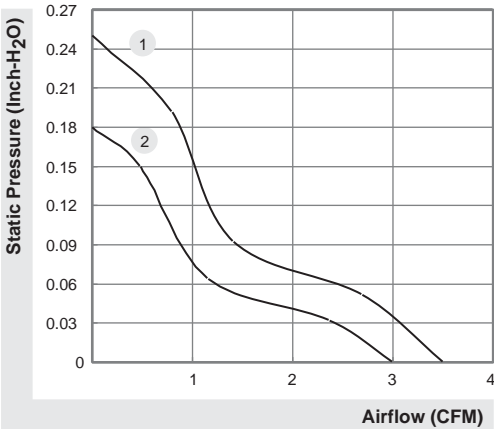
*All model could be customized. Please contact with Sunon Sales.
 *Specifications subject to change without notice. Please Visit SUNON web site at <http://www.sunon.com> for update information.

25x25x10 mm

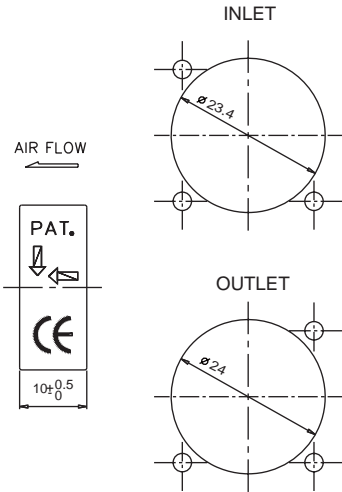
3.0~3.5 CFM



|  | P/N | Bearing | Rating Voltage (VDC) | Power Current (AMP) | Power Consumption (WATTS) | Speed (RPM) | Air Flow (CFM) | Static Pressure (Inch-H ₂ O) | Noise (dBA) | Weight (g) | Curve |
|---|-----|---------|----------------------|---------------------|---------------------------|-------------|----------------|---|-------------|------------|-------|
| | | ● VAPO | | | | | | | | | |
| GM0502PFV1-8 | GN | ● | 5 | 0.12 | 0.6 | 13000 | 3.5 | 0.25 | 23 | 7.5 | 1 |
| GM0502PFV2-8 | GN | ● | 5 | 0.08 | 0.4 | 10000 | 3.0 | 0.18 | 16 | 7.5 | 2 |
| GM1202PFV1-8 | GN | ● | 12 | 0.067 | 0.8 | 13000 | 3.5 | 0.25 | 23 | 7.5 | 1 |
| GM1202PFV2-8 | GN | ● | 12 | 0.038 | 0.5 | 10000 | 3.0 | 0.18 | 16 | 7.5 | 2 |



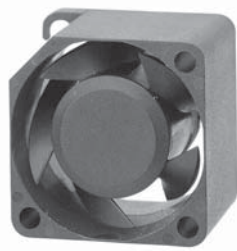
(Units : mm)




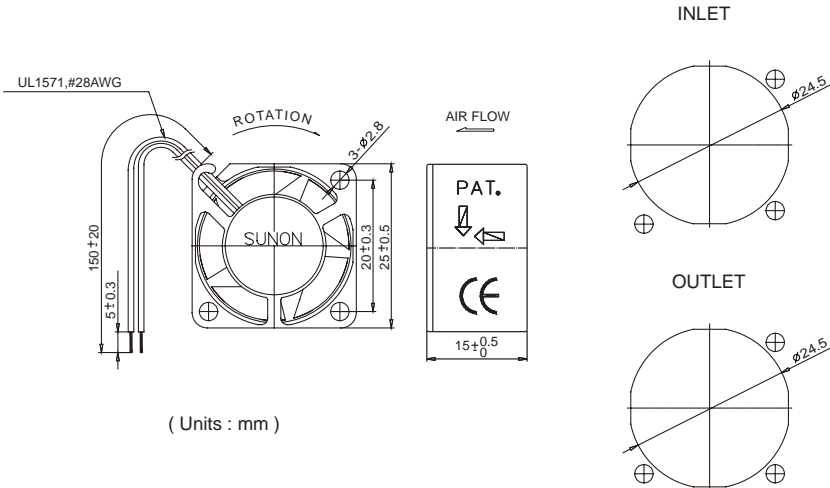
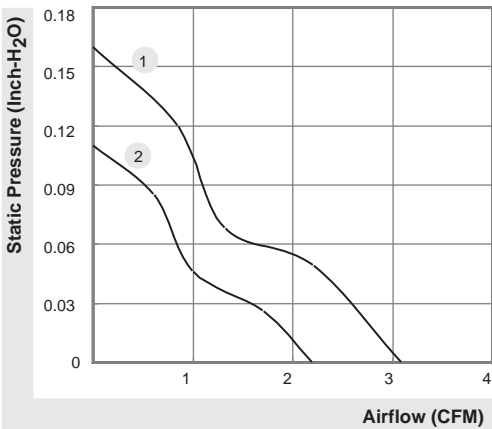
*All model could be customized. Please contact with Sunon Sales.
 *Specifications subject to change without notice. Please Visit SUNON web site at <http://www.sunon.com> for update information.

25x25x15 mm

2.2~3.1 CFM



|  | P/N | Bearing ● VAPO | Rating Voltage (VDC) | Power Current (AMP) | Power Consumption (WATTS) | Speed (RPM) | Air Flow (CFM) | Static Pressure (Inch-H ₂ O) | Noise (dBA) | Weight (g) | Curve |
|---|-----|-------------------|-------------------------|------------------------|------------------------------|----------------|-------------------|--|----------------|---------------|-------|
| | | | | | | | | | | | |
| GM0502PHV1-8 | GN | ● | 5 | 0.11 | 0.6 | 10000 | 3.1 | 0.16 | 20 | 11 | 1 |
| GM0502PHV2-8 | GN | ● | 5 | 0.08 | 0.4 | 7000 | 2.2 | 0.11 | 14 | 11 | 2 |
| GM1202PHV1-8 | GN | ● | 12 | 0.048 | 0.6 | 10000 | 3.1 | 0.16 | 20 | 11 | 1 |
| GM1202PHV2-8 | GN | ● | 12 | 0.029 | 0.4 | 7000 | 2.2 | 0.11 | 14 | 11 | 2 |




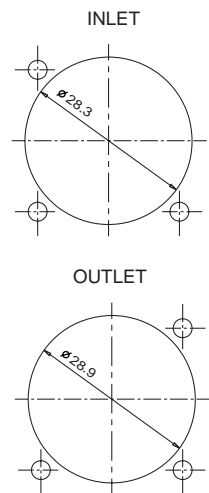
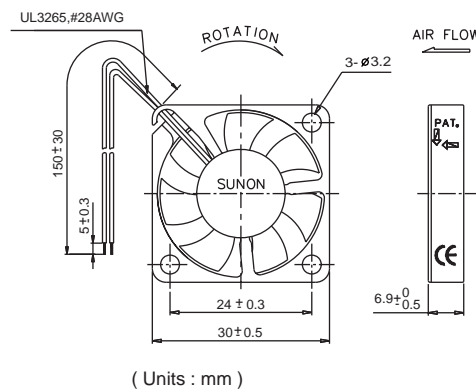
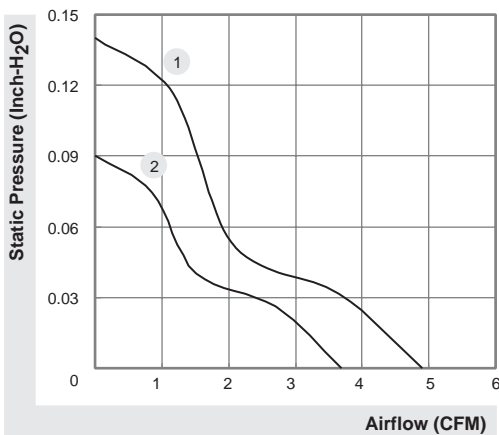
*All model could be customized. Please contact with Sunon Sales.
 *Specifications subject to change without notice. Please Visit SUNON web site at <http://www.sunon.com> for update information.

30x30x6 mm

3.7~4.9 CFM



|  | P/N | Bearing | Rating Voltage (VDC) | Power Current (AMP) | Power Consumption (WATTS) | Speed (RPM) | Air Flow (CFM) | Static Pressure (Inch-H ₂ O) | Noise (dBA) | Weight (g) | Curve |
|---|------|---------|----------------------|---------------------|---------------------------|-------------|----------------|---|-------------|------------|-------|
| | | ● VAPO | | | | | | | | | |
| GM0503PEV1-8 | N.GN | ● | 5 | 0.13 | 0.7 | 9500 | 4.9 | 0.14 | 28 | 6 | 1 |
| GM0503PEV2-8 | N.GN | ● | 5 | 0.08 | 0.4 | 7500 | 3.7 | 0.09 | 24 | 6 | 2 |

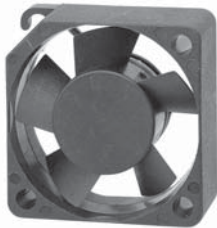



*All model could be customized. Please contact with Sunon Sales.

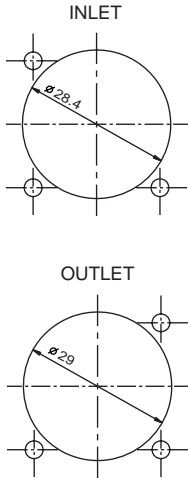
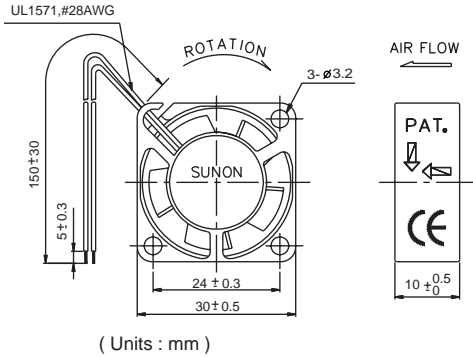
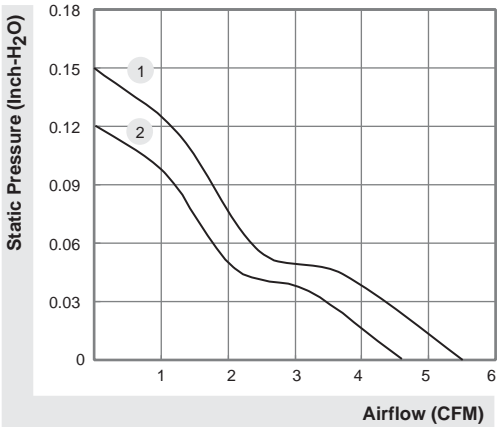
*Specifications subject to change without notice. Please Visit SUNON web site at <http://www.sunon.com> for update information.

30x30x10 mm

4.6~5.5 CFM



|  | P/N | Bearing | Rating Voltage (VDC) | Power Current (AMP) | Power Consumption (WATTS) | Speed (RPM) | Air Flow (CFM) | Static Pressure (Inch-H ₂ O) | Noise (dBA) | Weight (g) | Curve |
|---|-----|---------|----------------------|---------------------|---------------------------|-------------|----------------|---|-------------|------------|-------|
| | | ● VAPO | | | | | | | | | |
| GM0503PFV1-8 | GN | ● | 5 | 0.14 | 0.7 | 9500 | 5.5 | 0.15 | 23 | 8.6 | 1 |
| GM0503PFV2-8 | GN | ● | 5 | 0.10 | 0.5 | 8000 | 4.6 | 0.12 | 20 | 8.6 | 2 |
| GM1203PFV1-8 | GN | ● | 12 | 0.078 | 1.0 | 9500 | 5.5 | 0.15 | 23 | 8.5 | 1 |
| GM1203PFV2-8 | GN | ● | 12 | 0.042 | 0.5 | 8000 | 4.6 | 0.12 | 20 | 8.5 | 2 |




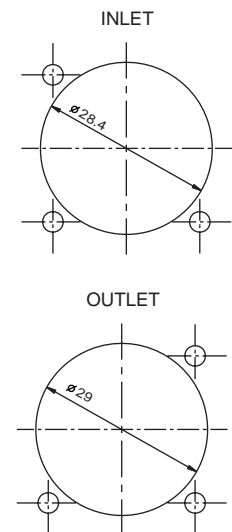
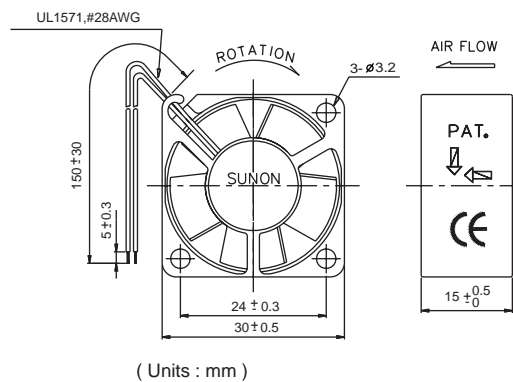
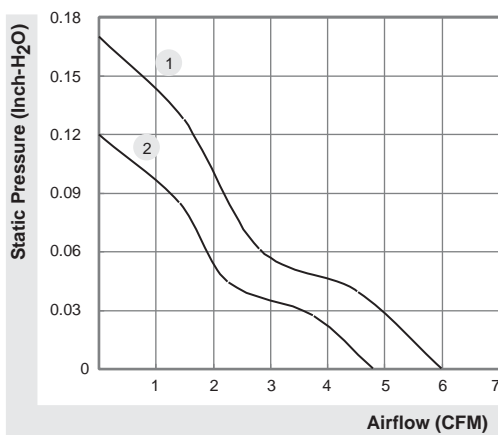
*All model could be customized. Please contact with Sunon Sales.
 *Specifications subject to change without notice. Please Visit SUNON web site at <http://www.sunon.com> for update information.

30x30x15 mm

4.8~6.0 CFM



|  | P/N | Bearing | Rating Voltage (VDC) | Power Current (AMP) | Power Consumption (WATTS) | Speed (RPM) | Air Flow (CFM) | Static Pressure (Inch-H ₂ O) | Noise (dBA) | Weight (g) | Curve |
|---|-----|---------|----------------------|---------------------|---------------------------|-------------|----------------|---|-------------|------------|-------|
| | | ● VAPO | | | | | | | | | |
| GM0503PHV1-8 | GN | ● | 5 | 0.11 | 0.6 | 8500 | 6.0 | 0.17 | 27 | 13.5 | 1 |
| GM0503PHV2-8 | GN | ● | 5 | 0.07 | 0.4 | 7000 | 4.8 | 0.12 | 20 | 13.5 | 2 |
| GM1203PHV1-8 | GN | ● | 12 | 0.054 | 0.6 | 8500 | 6.0 | 0.17 | 27 | 13.2 | 1 |
| GM1203PHV2-8 | GN | ● | 12 | 0.029 | 0.4 | 7000 | 4.8 | 0.12 | 20 | 13.2 | 2 |




*All model could be customized. Please contact with Sunon Sales.

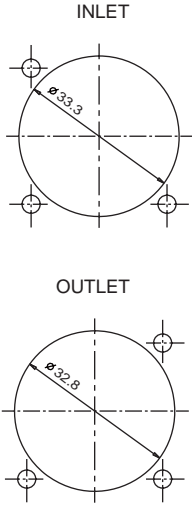
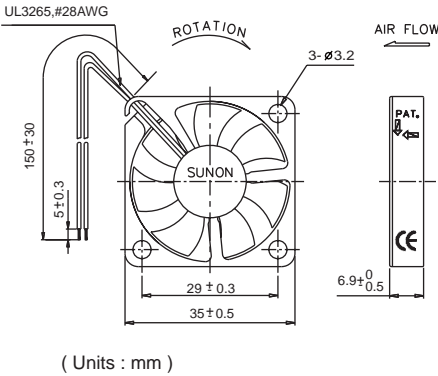
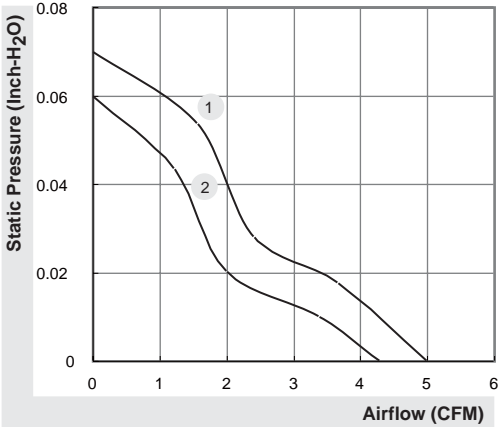
*Specifications subject to change without notice. Please Visit SUNON web site at <http://www.sunon.com> for update information.

35x35x6 mm

4.3~5.5 CFM



|  | P/N | Bearing | Rating Voltage (VDC) | Power Current (AMP) | Power Consumption (WATTS) | Speed (RPM) | Air Flow (CFM) | Static Pressure (Inch-H ₂ O) | Noise (dBA) | Weight (g) | Curve |
|---|------|---------|----------------------|---------------------|---------------------------|-------------|----------------|---|-------------|------------|--------|
| | | | | | | | | | | | ● VAPO |
| GM0535PEV1-8 | N.GN | ● | 5 | 0.14 | 0.7 | 7600 | 5.5 | 0.08 | 26 | 7 | 1 |
| GM0535PEV2-8 | N.GN | ● | 5 | 0.09 | 0.5 | 5800 | 4.3 | 0.06 | 19 | 7 | 2 |




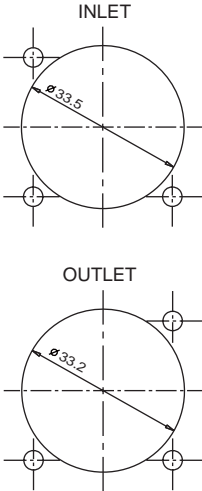
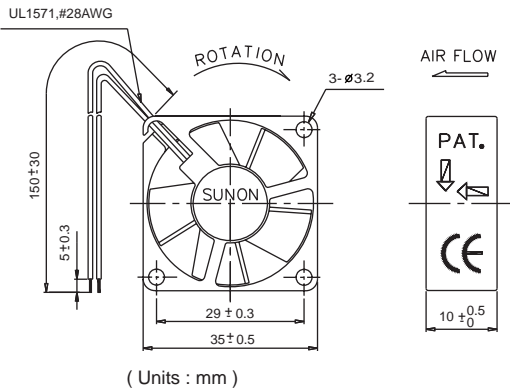
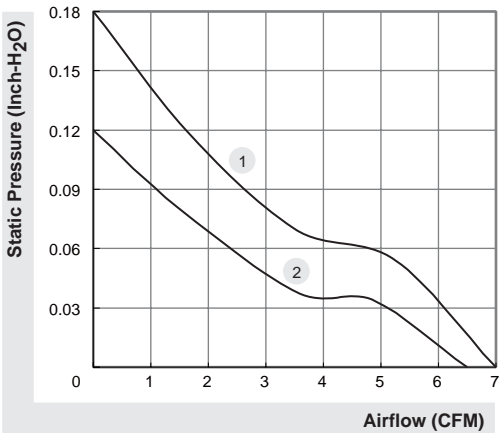
*All model could be customized. Please contact with Sunon Sales.
 *Specifications subject to change without notice. Please Visit SUNON web site at <http://www.sunon.com> for update information.

35x35x10 mm

6.5~7.0 CFM



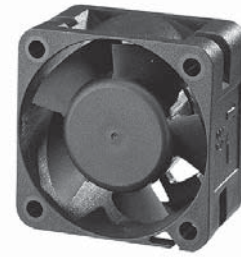
|  | P/N | Bearing | Rating Voltage (VDC) | Power Current (AMP) | Power Consumption (WATTS) | Speed (RPM) | Air Flow (CFM) | Static Pressure (Inch-H ₂ O) | Noise (dBA) | Weight (g) | Curve |
|---|-----|---------|----------------------|---------------------|---------------------------|-------------|----------------|---|-------------|------------|-------|
| | | ● VAPO | | | | | | | | | |
| GM0535PFV1-8 | GN | ● | 5 | 0.15 | 0.8 | 9500 | 7.0 | 0.18 | 28 | 10.5 | 1 |
| GM0535PFV2-8 | GN | ● | 5 | 0.10 | 0.5 | 7500 | 6.5 | 0.12 | 22 | 10.5 | 2 |
| GM1235PFV1-8 | GN | ● | 12 | 0.08 | 1.0 | 9500 | 7.0 | 0.18 | 28 | 10.5 | 1 |
| GM1235PFV2-8 | GN | ● | 12 | 0.043 | 0.5 | 7500 | 6.5 | 0.12 | 22 | 10.5 | 2 |




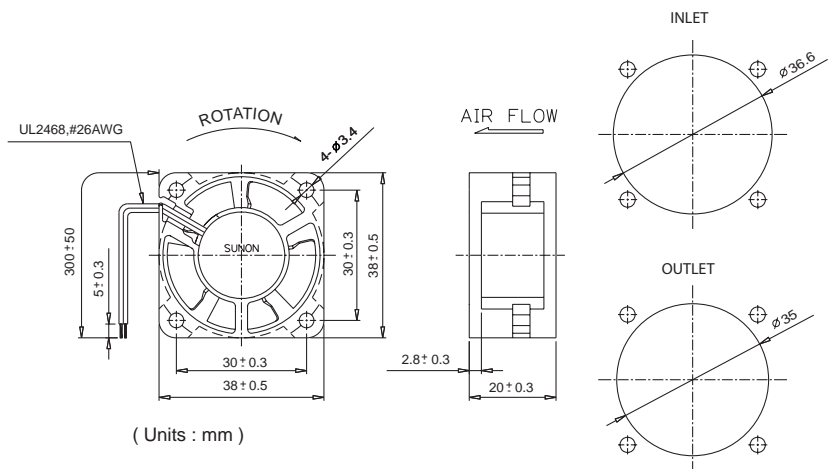
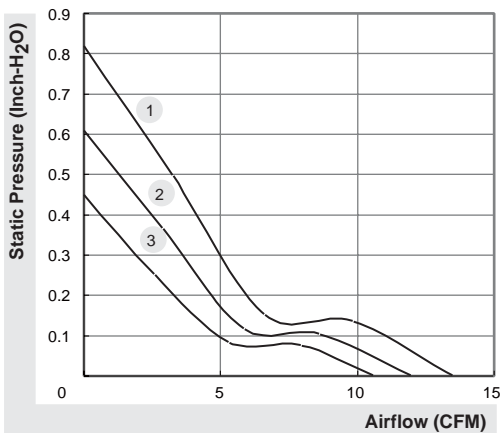
*All model could be customized. Please contact with Sunon Sales.
 *Specifications subject to change without notice. Please Visit SUNON web site at <http://www.sunon.com> for update information.

38x38x20 mm

10.6~13.5 CFM



|  | P/N | Bearing | Rating Voltage (VDC) | Power Current (AMP) | Power Consumption (WATTS) | Speed (RPM) | Air Flow (CFM) | Static Pressure (Inch-H ₂ O) | Noise (dBA) | Weight (g) | Curve |
|---|--------|---------|----------------------|---------------------|---------------------------|-------------|----------------|---|-------------|------------|-------|
| | | | | | | | | | | | |
| PMD1238PKBX-A | (2).GN | ☉ | 12 | 0.36 | 4.3 | 15000 | 13.5 | 0.82 | 48.0 | 27 | 1 |
| PMD1238PKB1-A | (2).GN | ☉ | 12 | 0.26 | 3.1 | 13000 | 12.0 | 0.61 | 44.0 | 27 | 2 |
| PMD1238PKB2-A | (2).GN | ☉ | 12 | 0.21 | 2.5 | 11000 | 10.6 | 0.45 | 39.0 | 27 | 3 |

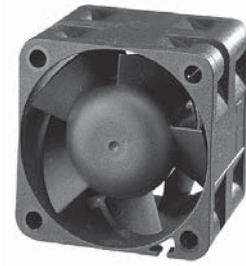



*All model could be customized. Please contact with Sunon Sales.

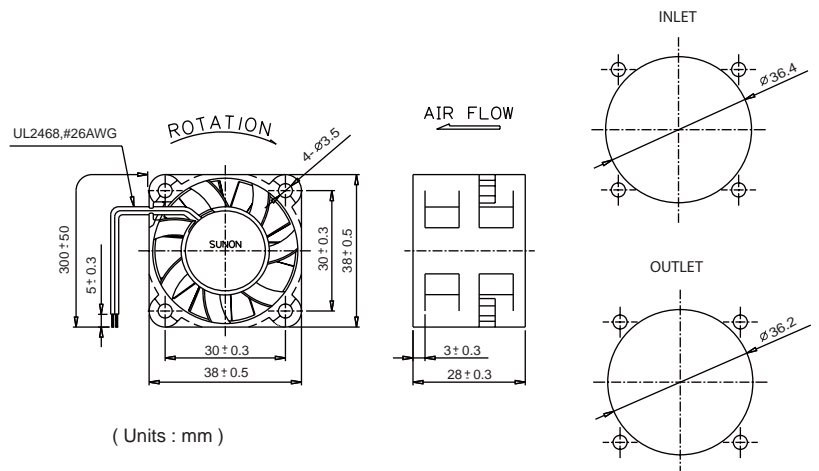
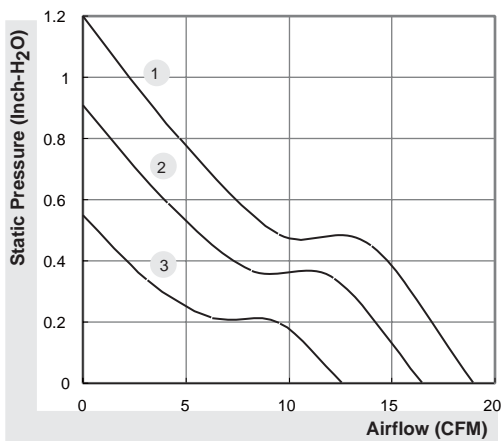
*Specifications subject to change without notice. Please Visit SUNON web site at <http://www.sunon.com> for update information.

38x38x28 mm

12.6~19.0 CFM



|  | P/N | Bearing | Rating Voltage (VDC) | Power Current (AMP) | Power Consumption (WATTS) | Speed (RPM) | Air Flow (CFM) | Static Pressure (Inch-H ₂ O) | Noise (dBA) | Weight (g) | Curve |
|---|--------|---------|----------------------|---------------------|---------------------------|-------------|----------------|---|-------------|------------|-------|
| | | | | | | | | | | | |
| PMD1238PQBX-A | (2).GN | ☉ | 12 | 0.48 | 5.8 | 15000 | 19.0 | 1.20 | 52.0 | 35.2 | 1 |
| PMD1238PQB1-A | (2).GN | ☉ | 12 | 0.30 | 3.6 | 13000 | 16.5 | 0.91 | 47.0 | 35.2 | 2 |
| PMD1238PQB2-A | (2).GN | ☉ | 12 | 0.19 | 2.3 | 10000 | 12.6 | 0.55 | 42.0 | 35.2 | 3 |




*All model could be customized. Please contact with Sunon Sales.

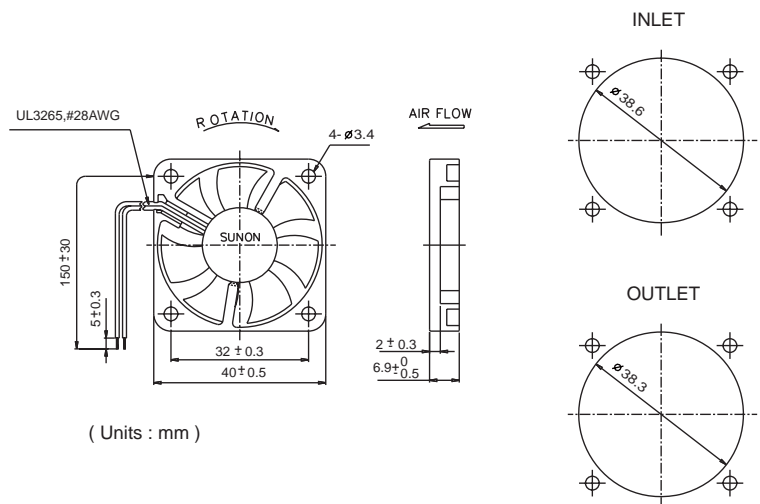
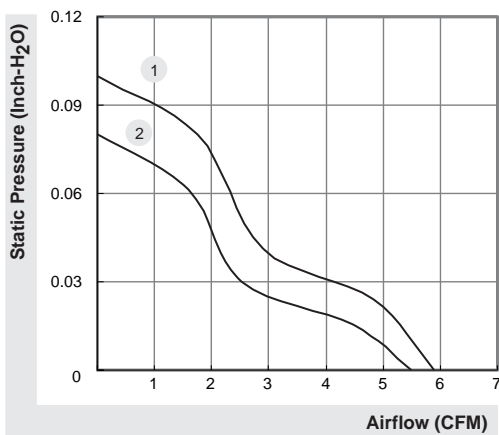
*Specifications subject to change without notice. Please Visit SUNON web site at <http://www.sunon.com> for update information.

40x40x6 mm

5.5~5.9 CFM



|  | P/N | Bearing | Rating Voltage (VDC) | Power Current (AMP) | Power Consumption (WATTS) | Speed (RPM) | Air Flow (CFM) | Static Pressure (Inch-H ₂ O) | Noise (dBA) | Weight (g) | Curve |
|---|-----|---------|----------------------|---------------------|---------------------------|-------------|----------------|---|-------------|------------|-------|
| | | ● VAPO | | | | | | | | | |
| GM0504PEV1-8 | GN | ● | 5 | 0.09 | 0.5 | 7000 | 5.9 | 0.10 | 32 | 7.5 | 1 |
| GM0504PEV2-8 | GN | ● | 5 | 0.07 | 0.4 | 6000 | 5.5 | 0.08 | 26 | 7.5 | 2 |




*All model could be customized. Please contact with Sunon Sales.

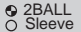
*Specifications subject to change without notice. Please Visit SUNON web site at <http://www.sunon.com> for update information.

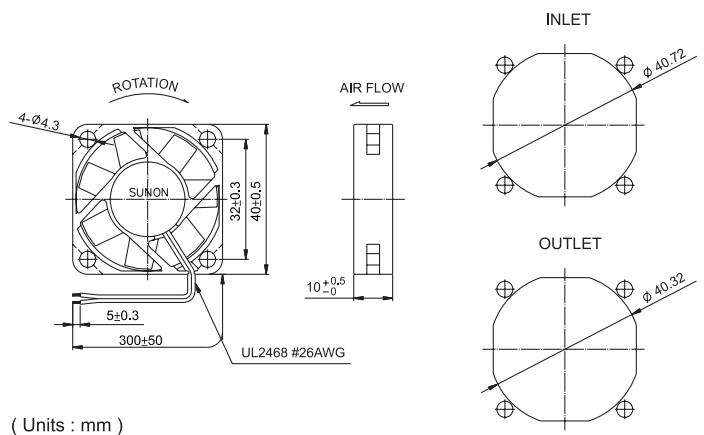
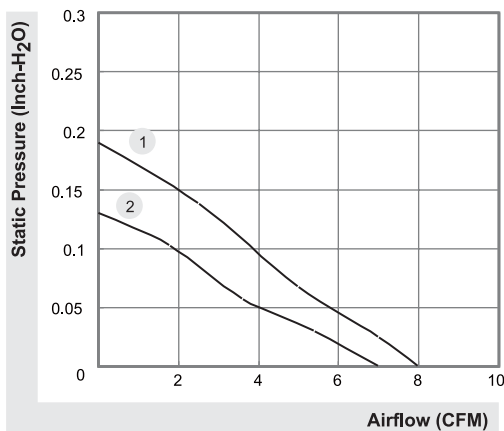
40x40x10 mm

7.0~8.0 CFM



|  | P/N | Bearing | Rating Voltage (VDC) | Power Current (AMP) | Power Consumption (WATTS) | Speed (RPM) | Air Flow (CFM) | Static Pressure (Inch-H ₂ O) | Noise (dBA) | Weight (g) | Curve |
|---|------------|---------|----------------------|---------------------|---------------------------|-------------|----------------|---|-------------|------------|-------|
| | | ● VAPO | | | | | | | | | |
| KDE0504PFV1 | 11.MS.A.GN | ● | 5 | 0.24 | 1.2 | 7000 | 8.0 | 0.19 | 32 | 17 | 1 |
| KDE0504PFV2 | 11.MS.A.GN | ● | 5 | 0.14 | 0.7 | 5800 | 7.0 | 0.13 | 27 | 17 | 2 |
| KDE1204PFV1 | 11.MS.A.GN | ● | 12 | 0.09 | 1.1 | 7000 | 8.0 | 0.19 | 32 | 17 | 1 |
| KDE1204PFV2 | 11.MS.A.GN | ● | 12 | 0.08 | 1.0 | 5800 | 7.0 | 0.13 | 27 | 17 | 2 |

| Model | P/N |  | (VDC) | (AMP) | (WATTS) | (RPM) | (CFM) | (Inch-H ₂ O) | (dBA) | (g) | Curve |
|------------|-------|---|-------|-------|---------|-------|-------|-------------------------|-------|-----|-------|
| | | ○ | | | | | | | | | |
| KD0504PFS1 | 11.GN | ○ | 5 | 0.26 | 1.3 | 7000 | 8.0 | 0.19 | 32 | 17 | 1 |
| KD0504PFS2 | 11.GN | ○ | 5 | 0.161 | 0.8 | 5800 | 7.0 | 0.13 | 27 | 17 | 2 |
| KD1204PFS1 | 11.GN | ○ | 12 | 0.106 | 1.3 | 7000 | 8.0 | 0.19 | 32 | 17 | 1 |
| KD1204PFS2 | 11.GN | ○ | 12 | 0.092 | 1.1 | 5800 | 7.0 | 0.13 | 27 | 17 | 2 |



*All model could be customized. Please contact with Sunon Sales.

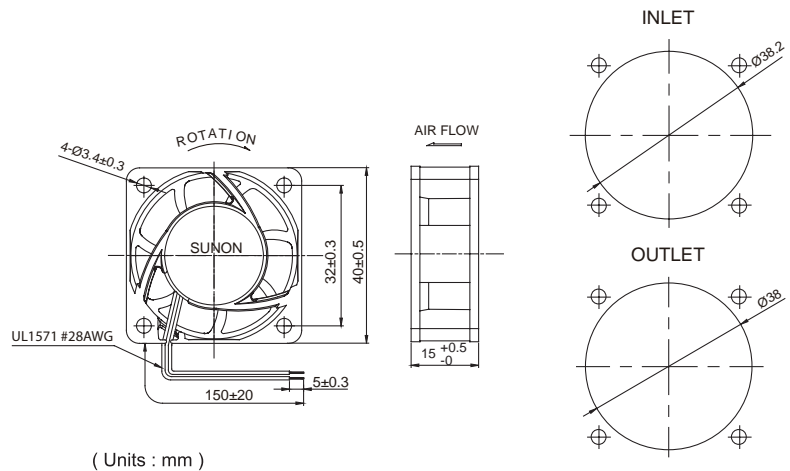
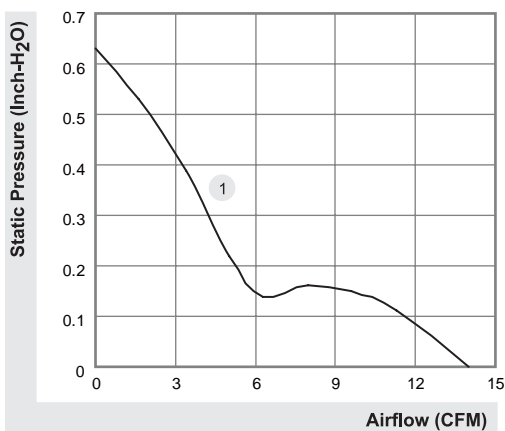
*Specifications subject to change without notice. Please Visit SUNON web site at <http://www.sunon.com> for update information.

40x40x15 mm

14 CFM



| Model | P/N | Bearing ● 2BALL ○ Sleeve | Rating Voltage (VDC) | Power Current (AMP) | Power Consumption (WATTS) | Speed (RPM) | Air Flow (CFM) | Static Pressure (Inch-H ₂ O) | Noise (dBA) | Weight (g) | Curve |
|---------------|----------------|--------------------------------|----------------------|---------------------|---------------------------|-------------|----------------|---|-------------|------------|-------|
| PSD1204PHB1-A | (2).Z.GN | ● | 12 | 0.24 | 2.9 | 12000 | 14 | 0.63 | 44.2 | 25.85 | 1 |
| PSD1204PHB1-A | (2).Z.F.PWM.GN | ● | 12 | 0.24 | 2.9 | 12000 | 14 | 0.63 | 44.2 | 25.85 | 1 |
| PSD1204PHB1-A | (2).Z.R.PWM.GN | ● | 12 | 0.24 | 2.9 | 12000 | 14 | 0.63 | 44.2 | 25.85 | 1 |

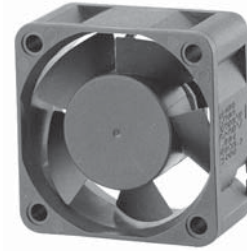



*All model could be customized. Please contact with Sunon Sales.

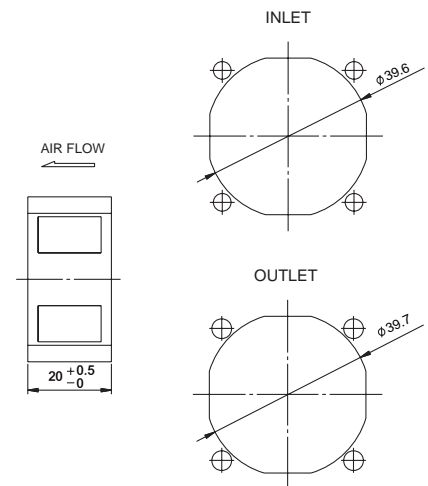
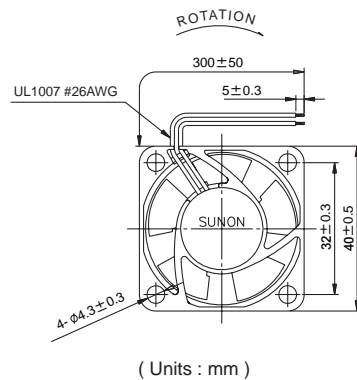
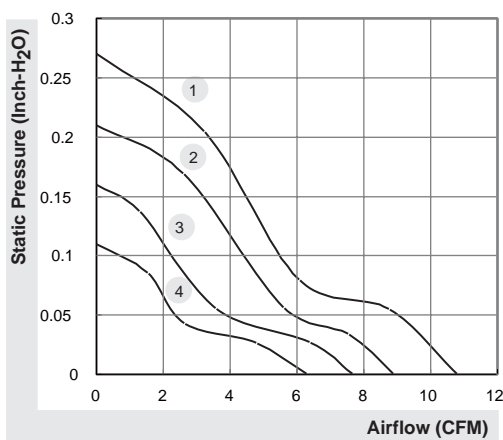
*Specifications are subject to change without notice. Please Visit SUNON web site at <http://www.sunon.com> for update information.

40x40x20 mm

6.3~10.8 CFM



|  | P/N | Bearing | Rating Voltage (VDC) | Power Current (AMP) | Power Consumption (WATTS) | Speed (RPM) | Air Flow (CFM) | Static Pressure (Inch-H ₂ O) | Noise (dBA) | Weight (g) | Curve |
|---|---------|---------|----------------------|---------------------|---------------------------|-------------|----------------|---|-------------|------------|-------|
| | | | | | | | | | | | |
| KDE0504PKV1 | MS.A.GN | ● | 5 | 0.19 | 1.1 | 7200 | 8.9 | 0.21 | 25.5 | 30 | 2 |
| KDE0504PKV2 | MS.A.GN | ● | 5 | 0.12 | 0.6 | 6200 | 7.7 | 0.16 | 21.0 | 30 | 3 |
| KDE0504PKV3 | MS.A.GN | ● | 5 | 0.08 | 0.4 | 5200 | 6.3 | 0.11 | 18.0 | 30 | 4 |
| KDE1204PKVX | MS.A.GN | ● | 12 | 0.12 | 1.4 | 8200 | 10.8 | 0.27 | 27.5 | 31 | 1 |
| KDE1204PKV1 | MS.A.GN | ● | 12 | 0.07 | 0.8 | 7200 | 8.9 | 0.21 | 25.5 | 31 | 2 |
| KDE1204PKV2 | MS.A.GN | ● | 12 | 0.05 | 0.6 | 6200 | 7.7 | 0.16 | 21.0 | 31 | 3 |
| KDE1204PKV3 | MS.A.GN | ● | 12 | 0.03 | 0.4 | 5200 | 6.3 | 0.11 | 18.0 | 31 | 4 |
| KDE2404PKVX | MS.A.GN | ● | 24 | 0.064 | 1.5 | 8200 | 10.8 | 0.27 | 27.5 | 31 | 1 |
| KDE2404PKV1 | MS.A.GN | ● | 24 | 0.05 | 1.2 | 7200 | 8.9 | 0.21 | 25.5 | 31 | 2 |
| KDE2404PKV2 | MS.A.GN | ● | 24 | 0.033 | 0.8 | 6200 | 7.7 | 0.16 | 21.0 | 31 | 3 |

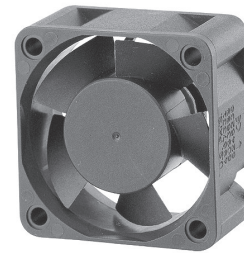


*All model could be customized. Please contact with Sunon Sales.

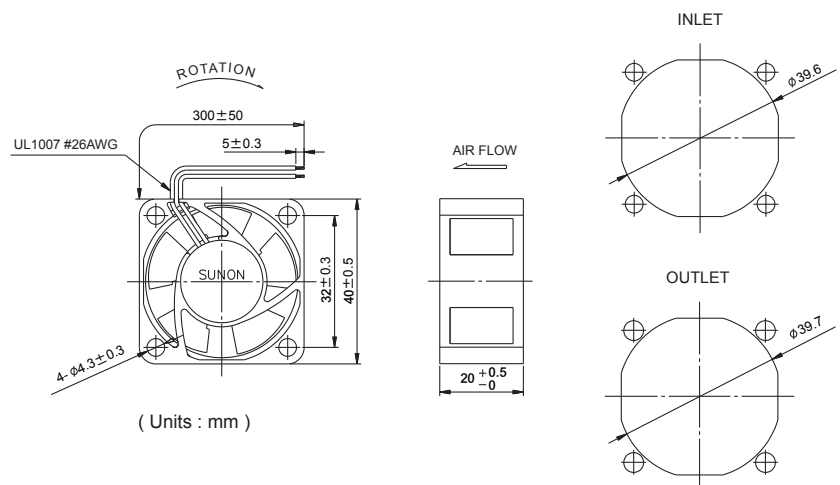
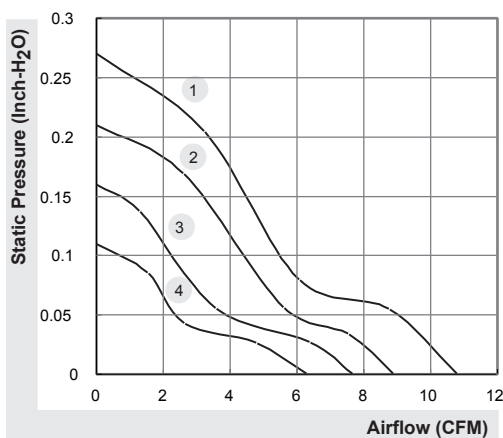
*Specifications subject to change without notice. Please Visit SUNON web site at <http://www.sunon.com> for update information.

40x40x20 mm

6.3~10.8 CFM



| Model | P/N | Bearing ● 2BALL ○ Sleeve | Rating Voltage (VDC) | Power Current (AMP) | Power Consumption (WATTS) | Speed (RPM) | Air Flow (CFM) | Static Pressure (Inch-H ₂ O) | Noise (dBA) | Weight (g) | Curve |
|------------|--------|--------------------------------|----------------------|---------------------|---------------------------|-------------|----------------|---|-------------|------------|-------|
| KD0504PKB1 | (2).GN | ● | 5 | 0.223 | 1.1 | 7200 | 8.9 | 0.21 | 26.5 | 30 | 2 |
| KD0504PKB2 | (2).GN | ● | 5 | 0.142 | 0.7 | 6200 | 7.7 | 0.16 | 22.0 | 30 | 3 |
| KD0504PKB3 | (2).GN | ● | 5 | 0.091 | 0.5 | 5200 | 6.3 | 0.11 | 19.0 | 30 | 4 |
| KD0504PKS1 | GN | ○ | 5 | 0.218 | 1.1 | 7200 | 8.9 | 0.21 | 25.5 | 30 | 2 |
| KD0504PKS2 | GN | ○ | 5 | 0.14 | 0.7 | 6200 | 7.7 | 0.16 | 21.0 | 30 | 3 |
| KD0504PKS3 | GN | ○ | 5 | 0.09 | 0.5 | 5200 | 6.3 | 0.11 | 18.0 | 30 | 4 |
| KD1204PKBX | (2).GN | ● | 12 | 0.124 | 1.5 | 8200 | 10.8 | 0.27 | 28.5 | 31 | 1 |
| KD1204PKB1 | (2).GN | ● | 12 | 0.08 | 1.0 | 7200 | 8.9 | 0.21 | 26.5 | 31 | 2 |
| KD1204PKB2 | (2).GN | ● | 12 | 0.062 | 0.7 | 6200 | 7.7 | 0.16 | 22.0 | 31 | 3 |
| KD1204PKB3 | (2).GN | ● | 12 | 0.044 | 0.5 | 5200 | 6.3 | 0.11 | 19.0 | 31 | 4 |
| KD2404PKSX | GN | ○ | 24 | 0.12 | 1.4 | 8200 | 10.8 | 0.27 | 27.5 | 31 | 1 |
| KD2404PKS1 | GN | ○ | 24 | 0.08 | 1.0 | 7200 | 8.9 | 0.21 | 25.5 | 31 | 2 |
| KD2404PKS2 | GN | ○ | 24 | 0.063 | 0.8 | 6200 | 7.7 | 0.16 | 21.0 | 31 | 3 |



*All model could be customized. Please contact with Sunon Sales.

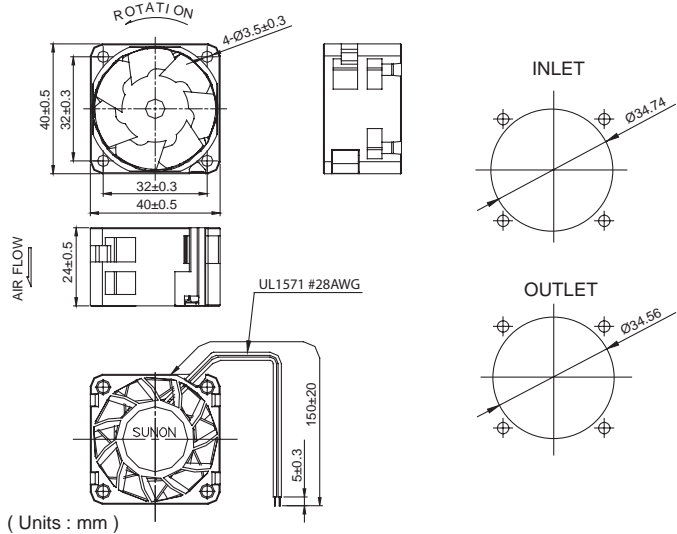
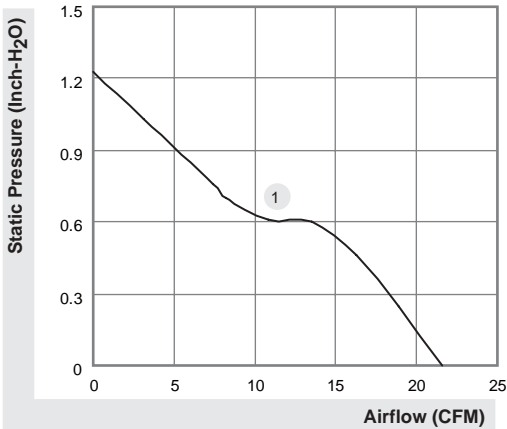
*Specifications subject to change without notice. Please Visit SUNON web site at <http://www.sunon.com> for update information.

40x40x24 mm

21.6 CFM



| Model | P/N | Bearing ● 2BALL ○ Sleeve | Rating Voltage (VDC) | Power Current (AMP) | Power Consumption (WATTS) | Speed (RPM) | Air Flow (CFM) | Static Pressure (Inch-H ₂ O) | Noise (dBA) | Weight (g) | Curve |
|---------------|----------------|--------------------------------|----------------------|---------------------|---------------------------|-------------|----------------|---|-------------|------------|-------|
| PSD1204PBB1-A | (2).Z.GN | ● | 12 | 0.5 | 6.0 | 14700 | 21.6 | 1.23 | 55.7 | 80 | 1 |
| PSD1204PBB1-A | (2).Z.F.PWM.GN | ● | 12 | 0.5 | 6.0 | 14700 | 21.6 | 1.23 | 55.7 | 80 | 1 |
| PSD1204PBB1-A | (2).Z.R.PWM.GN | ● | 12 | 0.5 | 6.0 | 14700 | 21.6 | 1.23 | 55.7 | 80 | 1 |



*All model could be customized. Please contact with Sunon Sales.

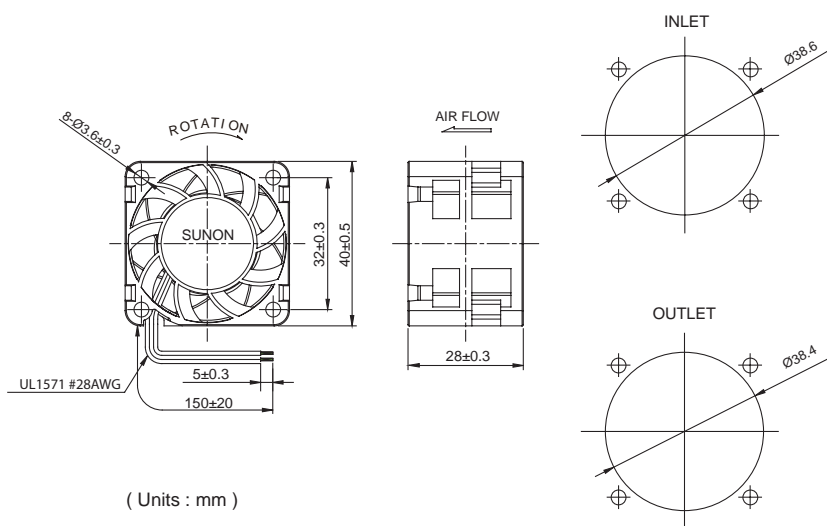
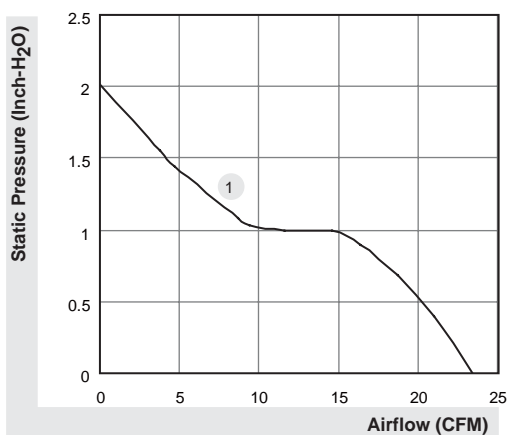
*Specifications are subject to change without notice. Please Visit SUNON web site at <http://www.sunon.com> for update information.

40x40x28 mm

23.4 CFM



| Model | P/N | Bearing ● 2BALL ○ Sleeve | Rating Voltage (VDC) | Power Current (AMP) | Power Consumption (WATTS) | Speed (RPM) | Air Flow (CFM) | Static Pressure (Inch-H ₂ O) | Noise (dBA) | Weight (g) | Curve |
|---------------|----------------|--------------------------------|----------------------|---------------------|---------------------------|-------------|----------------|---|-------------|------------|-------|
| PSD1204PQBX-A | (2).Z.GN | ● | 12 | 0.75 | 9.0 | 19000 | 23.4 | 2.01 | 59.9 | 43 | 1 |
| PSD1204PQBX-A | (2).Z.F.PWM.GN | ● | 12 | 0.75 | 9.0 | 19000 | 23.4 | 2.01 | 59.9 | 43 | 1 |
| PSD1204PQBX-A | (2).Z.R.PWM.GN | ● | 12 | 0.75 | 9.0 | 19000 | 23.4 | 2.01 | 59.9 | 43 | 1 |



*All model could be customized. Please contact with Sunon Sales.

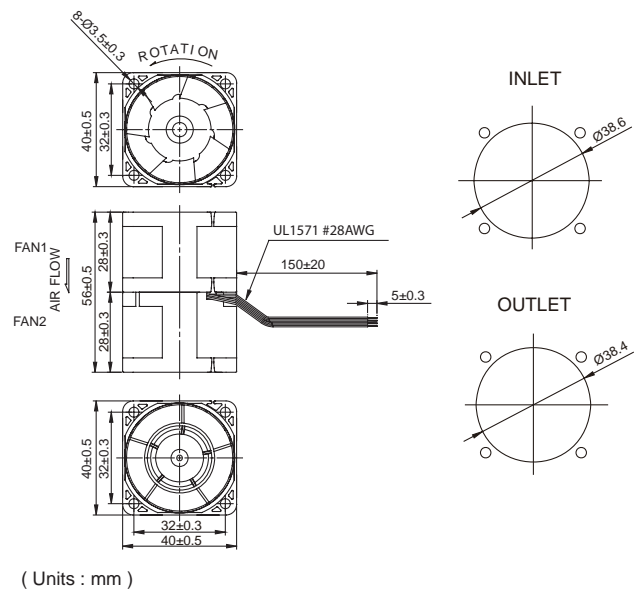
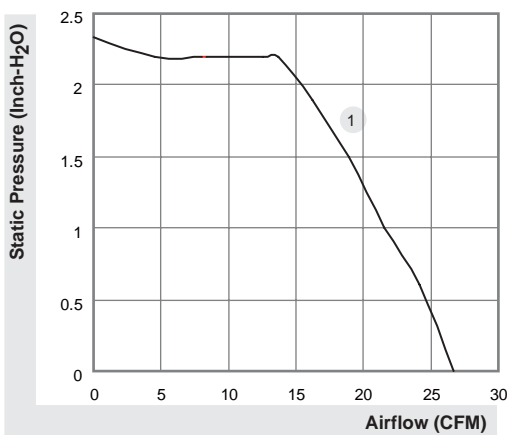
*Specifications are subject to change without notice. Please Visit SUNON web site at <http://www.sunon.com> for update information.

40x40x56 mm

26.7 CFM



| Model | P/N | Bearing ● 2BALL ○ Sleeve | Rating Voltage (VDC) | Power Current (AMP) | Power Consumption (WATTS) | Speed (RPM) | Air Flow (CFM) | Static Pressure (Inch-H ₂ O) | Noise (dBA) | Weight (g) | Curve |
|---------------|----------------|--------------------------------|----------------------|---------------------|---------------------------|-------------|----------------|---|-------------|------------|-------|
| PMD1204PPBX-A | (2).Z.GN | ● | 12 | 1.09 | 13.1 | 17600/13500 | 26.7 | 2.33 | 66.6 | 86 | 1 |
| PMD1204PPBX-A | (2).Z.F.PWM.GN | ● | 12 | 1.09 | 13.1 | 17600/13500 | 26.7 | 2.33 | 66.6 | 86 | 1 |
| PMD1204PPBX-A | (2).Z.R.PWM.GN | ● | 12 | 1.09 | 13.1 | 17600/13500 | 26.7 | 2.33 | 66.6 | 86 | 1 |




*All model could be customized. Please contact with Sunon Sales.

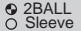
*Specifications are subject to change without notice. Please Visit SUNON web site at <http://www.sunon.com> for update information.

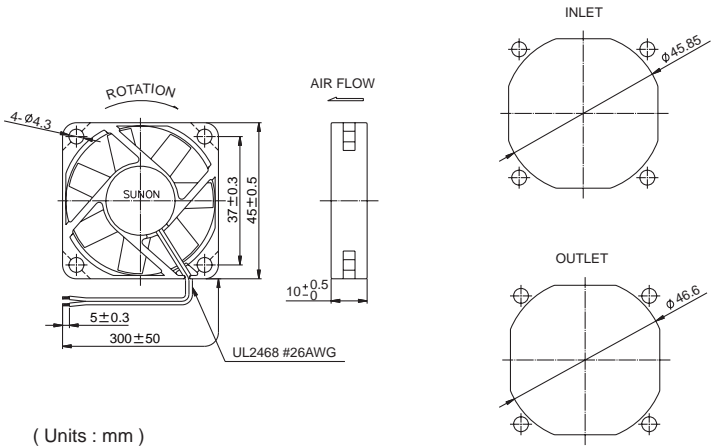
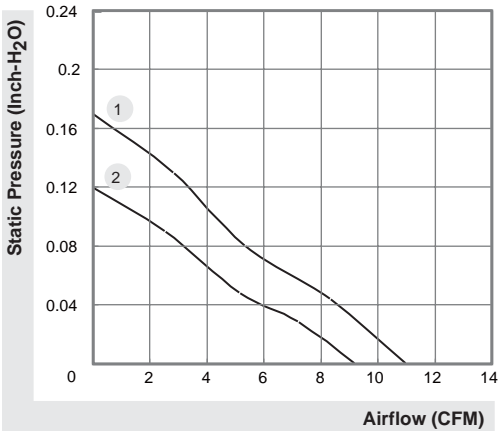
45x45x10 mm

9.2~11 CFM



|  | P/N | Bearing | Rating Voltage (VDC) | Power Current (AMP) | Power Consumption (WATTS) | Speed (RPM) | Air Flow (CFM) | Static Pressure (Inch-H ₂ O) | Noise (dBA) | Weight (g) | Curve |
|---|------------|---------|----------------------|---------------------|---------------------------|-------------|----------------|---|-------------|------------|-------|
| | | ● VAPO | | | | | | | | | |
| KDE0545PFV1 | 11.MS.A.GN | ● | 5 | 0.25 | 1.3 | 6000 | 11.0 | 0.17 | 32 | 19.0 | 1 |
| KDE0545PFV2 | 11.MS.A.GN | ● | 5 | 0.15 | 0.8 | 5000 | 9.2 | 0.12 | 27 | 19.0 | 2 |
| KDE1245PFV1 | 11.MS.A.GN | ● | 12 | 0.10 | 1.2 | 6000 | 11.0 | 0.17 | 32 | 18.5 | 1 |
| KDE1245PFV2 | 11.MS.A.GN | ● | 12 | 0.08 | 1.0 | 5000 | 9.2 | 0.12 | 27 | 18.5 | 2 |

| Model | P/N |  2BALL Sleeve | (VDC) | (AMP) | (WATTS) | (RPM) | (CFM) | (Inch-H ₂ O) | (dBA) | (g) | Curve |
|------------|-------|--|-------|-------|---------|-------|-------|-------------------------|-------|------|-------|
| KD0545PFS1 | 11.GN | ○ | 5 | 0.279 | 1.4 | 6000 | 11.0 | 0.17 | 32 | 19.0 | 1 |
| KD0545PFS2 | 11.GN | ○ | 5 | 0.172 | 0.9 | 5000 | 9.2 | 0.12 | 27 | 19.0 | 2 |
| KD1245PFS1 | 11.GN | ○ | 12 | 0.114 | 1.4 | 6000 | 11.0 | 0.17 | 32 | 18.5 | 1 |
| KD1245PFS2 | 11.GN | ○ | 12 | 0.097 | 1.2 | 5000 | 9.2 | 0.12 | 27 | 18.5 | 2 |




*All model could be customized. Please contact with Sunon Sales.
 *Specifications subject to change without notice. Please Visit SUNON web site at <http://www.sunon.com> for update information.

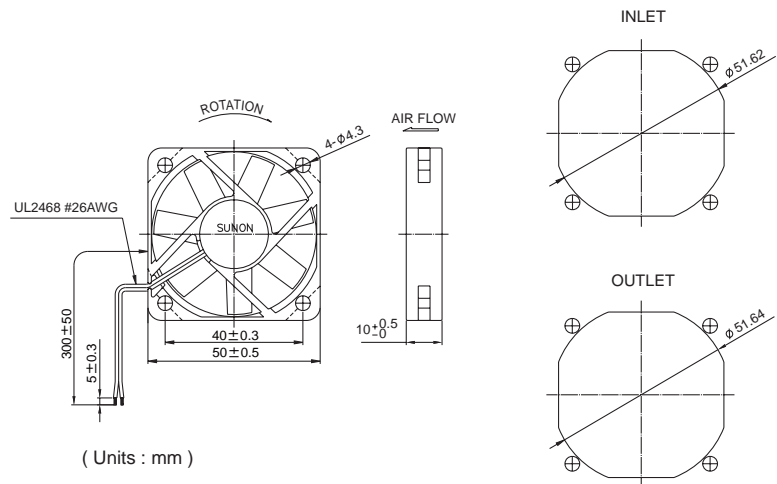
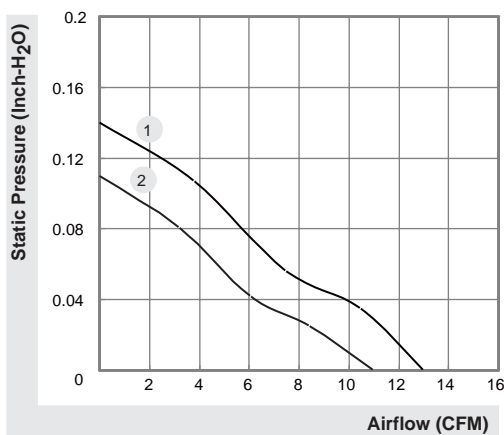
50x50x10 mm

11~13 CFM



|  | P/N | Bearing | Rating Voltage (VDC) | Power Current (AMP) | Power Consumption (WATTS) | Speed (RPM) | Air Flow (CFM) | Static Pressure (Inch-H ₂ O) | Noise (dBA) | Weight (g) | Curve |
|---|------------|---------|----------------------|---------------------|---------------------------|-------------|----------------|---|-------------|------------|-------|
| | | ● VAPO | | | | | | | | | |
| KDE0505PFV1 | 11.MS.A.GN | ● | 5 | 0.27 | 1.4 | 5200 | 13.0 | 0.14 | 30 | 21 | 1 |
| KDE0505PFV2 | 11.MS.A.GN | ● | 5 | 0.16 | 0.8 | 4300 | 11.0 | 0.11 | 26 | 21 | 2 |
| KDE1205PFV1 | 11.MS.A.GN | ● | 12 | 0.11 | 1.3 | 5200 | 13.0 | 0.14 | 30 | 20 | 1 |
| KDE1205PFV2 | 11.MS.A.GN | ● | 12 | 0.09 | 1.1 | 4300 | 11.0 | 0.11 | 26 | 20 | 2 |

| Model | P/N |  | (VDC) | (AMP) | (WATTS) | (RPM) | (CFM) | (Inch-H ₂ O) | (dBA) | (g) | Curve |
|------------|-------|---|-------|-------|---------|-------|-------|-------------------------|-------|-----|-------|
| KD0505PFS1 | 11.GN | ○ | 5 | 0.297 | 1.5 | 5200 | 13.0 | 0.14 | 30 | 21 | 1 |
| KD0505PFS2 | 11.GN | ○ | 5 | 0.181 | 0.9 | 4300 | 11.0 | 0.11 | 26 | 21 | 2 |
| KD1205PFS1 | 11.GN | ○ | 12 | 0.12 | 1.4 | 5200 | 13.0 | 0.14 | 30 | 20 | 1 |
| KD1205PFS2 | 11.GN | ○ | 12 | 0.104 | 1.2 | 4300 | 11.0 | 0.11 | 26 | 20 | 2 |



*All model could be customized. Please contact with Sunon Sales.

*Specifications subject to change without notice. Please Visit SUNON web site at <http://www.sunon.com> for update information.

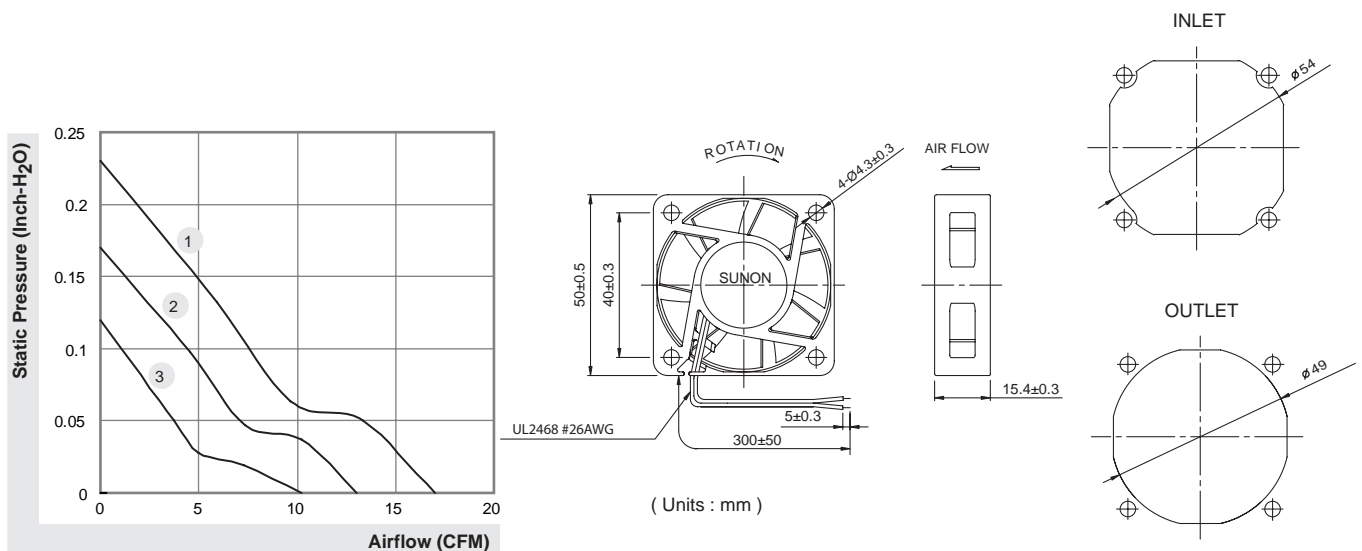
50x50x15 mm

10.2~17 CFM



| MAGLev by SUNON | P/N | Bearing | Rating Voltage (VDC) | Power Current (AMP) | Power Consumption (WATTS) | Speed (RPM) | Air Flow (CFM) | Static Pressure (Inch-H ₂ O) | Noise (dBA) | Weight (g) | Curve | |
|--------------------|-------------|---------------|----------------------|---------------------|---------------------------|-------------|----------------|---|-------------|------------|-------|--------|
| | | | | | | | | | | | | ● VAPO |
| | KDE0505PHV2 | MS.A.GN.C1500 | ● | 5 | 0.146 | 0.8 | 4700 | 13.0 | 0.17 | 29 | 39 | 2 |
| | KDE0505PHV3 | MS.A.GN.C1500 | ● | 5 | 0.09 | 0.5 | 3700 | 10.2 | 0.12 | 22 | 39 | 3 |
| | KDE1205PHV1 | MS.A.GN.C1500 | ● | 12 | 0.087 | 1.0 | 5800 | 17.0 | 0.23 | 33 | 38 | 1 |
| | KDE1205PHV2 | MS.A.GN.C1500 | ● | 12 | 0.054 | 0.7 | 4700 | 13.0 | 0.17 | 29 | 38 | 2 |
| | KDE1205PHV3 | MS.A.GN.C1500 | ● | 12 | 0.035 | 0.5 | 3700 | 10.2 | 0.12 | 22 | 38 | 3 |
| | KDE2405PHV1 | MS.A.GN.C1500 | ● | 24 | 0.063 | 1.5 | 5800 | 17.0 | 0.23 | 33 | 39 | 1 |
| | KDE2405PHV2 | MS.A.GN.C1500 | ● | 24 | 0.042 | 1.0 | 4700 | 13.0 | 0.17 | 29 | 39 | 2 |

| Model | P/N | 2BALL Sleeve | (VDC) | (AMP) | (WATTS) | (RPM) | (CFM) | (Inch-H ₂ O) | (dBA) | (g) | Curve |
|------------|--------------|--------------|-------|-------|---------|-------|-------|-------------------------|-------|-----|-------|
| | | | | | | | | | | | |
| KD0505PHB2 | (2).GN.C1500 | ⊕ | 5 | 0.161 | 0.8 | 4700 | 13.0 | 0.17 | 30 | 39 | 2 |
| KD0505PHB3 | (2).GN.C1500 | ⊕ | 5 | 0.102 | 0.5 | 3700 | 10.2 | 0.12 | 23 | 39 | 3 |
| KD1205PHB1 | (2).GN.C1500 | ⊕ | 12 | 0.127 | 1.5 | 5800 | 17.0 | 0.23 | 33 | 38 | 1 |
| KD1205PHB2 | (2).GN.C1500 | ⊕ | 12 | 0.081 | 1.0 | 4700 | 13.0 | 0.17 | 29 | 38 | 2 |
| KD1205PHB3 | (2).GN.C1500 | ⊕ | 12 | 0.055 | 0.7 | 3700 | 10.2 | 0.12 | 22 | 38 | 3 |
| KD2405PHB1 | (2).GN.C1500 | ⊕ | 24 | 0.08 | 1.9 | 5800 | 17.0 | 0.23 | 33 | 39 | 1 |
| KD2405PHB2 | (2).GN.C1500 | ⊕ | 24 | 0.054 | 1.3 | 4700 | 13.0 | 0.17 | 29 | 39 | 2 |
| KD0505PHS2 | GN.C1500 | ○ | 5 | 0.169 | 0.9 | 4700 | 13.0 | 0.17 | 29 | 39 | 2 |
| KD0505PHS3 | GN.C1500 | ○ | 5 | 0.105 | 0.5 | 3700 | 10.2 | 0.12 | 22 | 39 | 3 |
| KD1205PHS1 | GN.C1500 | ○ | 12 | 0.129 | 1.6 | 5800 | 17.0 | 0.23 | 34 | 38 | 1 |
| KD1205PHS2 | GN.C1500 | ○ | 12 | 0.078 | 0.9 | 4700 | 13.0 | 0.17 | 30 | 38 | 2 |
| KD1205PHS3 | GN.C1500 | ○ | 12 | 0.055 | 0.7 | 3700 | 10.2 | 0.12 | 23 | 38 | 3 |
| KD2405PHS1 | GN.C1500 | ○ | 24 | 0.076 | 1.8 | 5800 | 17.0 | 0.23 | 34 | 39 | 1 |
| KD2405PHS2 | GN.C1500 | ○ | 24 | 0.053 | 1.3 | 4700 | 13.0 | 0.17 | 30 | 39 | 2 |




*All model could be customized. Please contact with Sunon Sales.

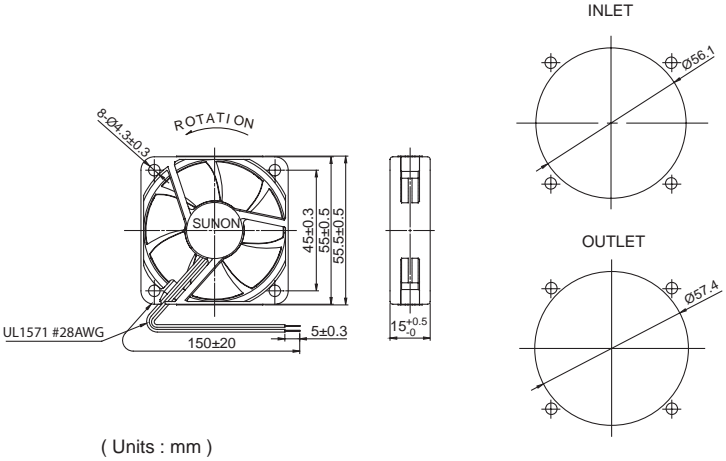
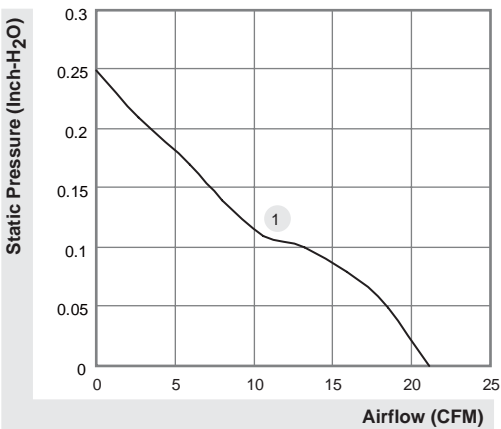
*Specifications are subject to change without notice. Please Visit SUNON web site at <http://www.sunon.com> for update information.

55x55x15 mm

21.1 CFM



|  | P/N | Bearing | Rating Voltage (VDC) | Power Current (AMP) | Power Consumption (WATTS) | Speed (RPM) | Air Flow (CFM) | Static Pressure (Inch-H ₂ O) | Noise (dBA) | Weight (g) | Curve |
|---|-----------|---------|----------------------|---------------------|---------------------------|-------------|----------------|---|-------------|------------|-------|
| | | | | | | | | | | | |
| GM1255PHV1-A | 13.Z.X.GN | ● VAPO | 12 | 0.13 | 1.6 | 6400 | 21.1 | 0.25 | 39.8 | 29 | 1 |




*All model could be customized. Please contact with Sunon Sales.
 *Specifications subject to change without notice. Please Visit SUNON web site at <http://www.sunon.com> for update information.

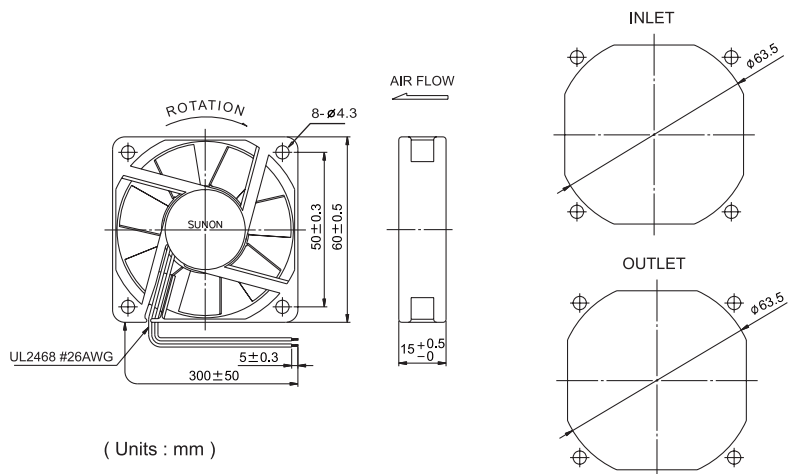
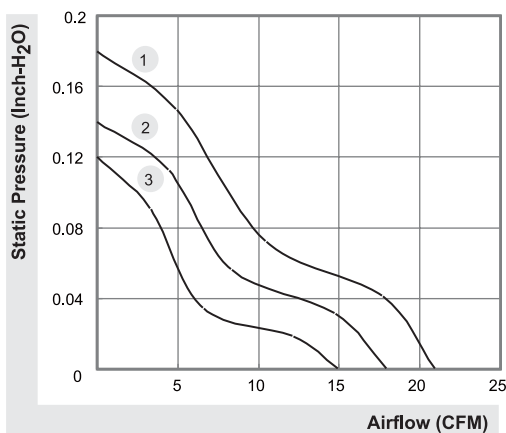
60x60x15 mm

15~21 CFM



|  | P/N | Bearing | Rating Voltage (VDC) | Power Current (AMP) | Power Consumption (WATTS) | Speed (RPM) | Air Flow (CFM) | Static Pressure (Inch-H ₂ O) | Noise (dBA) | Weight (g) | Curve |
|---|---------|---------|----------------------|---------------------|---------------------------|-------------|----------------|---|-------------|------------|-------|
| | | ● VAPO | | | | | | | | | |
| KDE0506PHV2 | MS.A.GN | ● | 5 | 0.18 | 0.9 | 3800 | 18 | 0.14 | 31 | 44 | 2 |
| KDE0506PHV3 | MS.A.GN | ● | 5 | 0.10 | 0.5 | 3000 | 15 | 0.12 | 25 | 44 | 3 |
| KDE1206PHV1 | MS.A.GN | ● | 12 | 0.13 | 1.6 | 4300 | 21 | 0.18 | 36 | 42 | 1 |
| KDE1206PHV2 | MS.A.GN | ● | 12 | 0.08 | 1.0 | 3800 | 18 | 0.14 | 31 | 42 | 2 |
| KDE1206PHV3 | MS.A.GN | ● | 12 | 0.05 | 0.6 | 3000 | 15 | 0.12 | 25 | 42 | 3 |
| KDE2406PHV1 | MS.A.GN | ● | 24 | 0.077 | 1.9 | 4300 | 21 | 0.18 | 36 | 44 | 1 |
| KDE2406PHV2 | MS.A.GN | ● | 24 | 0.054 | 1.3 | 3800 | 18 | 0.14 | 31 | 44 | 2 |

| Model | P/N | 2BALL Sleeve | (VDC) | (AMP) | (WATTS) | (RPM) | (CFM) | (Inch-H ₂ O) | (dBA) | (g) | Curve |
|------------|--------|--------------|-------|-------|---------|-------|-------|-------------------------|-------|-----|-------|
| KD0506PHB2 | (2).GN | ⊙ | 5 | 0.195 | 1.0 | 3800 | 18 | 0.14 | 32 | 44 | 2 |
| KD0506PHB3 | (2).GN | ⊙ | 5 | 0.119 | 0.6 | 3000 | 15 | 0.12 | 26 | 44 | 3 |
| KD0506PHS2 | GN | ○ | 5 | 0.187 | 0.9 | 3800 | 18 | 0.14 | 31 | 44 | 2 |
| KD0506PHS3 | GN | ○ | 5 | 0.115 | 0.6 | 3000 | 15 | 0.12 | 25 | 44 | 3 |
| KD1206PHB1 | (2).GN | ⊙ | 12 | 0.154 | 1.9 | 4300 | 21 | 0.18 | 37 | 42 | 1 |
| KD1206PHB2 | (2).GN | ⊙ | 12 | 0.094 | 1.1 | 3800 | 18 | 0.14 | 32 | 42 | 2 |
| KD1206PHB3 | (2).GN | ⊙ | 12 | 0.062 | 0.7 | 3000 | 15 | 0.12 | 23 | 42 | 3 |
| KD1206PHS1 | GN | ○ | 12 | 0.153 | 1.8 | 4300 | 21 | 0.18 | 36 | 42 | 1 |
| KD1206PHS2 | GN | ○ | 12 | 0.093 | 1.1 | 3800 | 18 | 0.14 | 31 | 42 | 2 |
| KD1206PHS3 | GN | ○ | 12 | 0.062 | 0.7 | 3000 | 15 | 0.12 | 25 | 42 | 3 |
| KD2406PHS1 | GN | ○ | 24 | 0.086 | 2.1 | 4300 | 21 | 0.18 | 36 | 44 | 1 |
| KD2406PHS2 | GN | ○ | 24 | 0.056 | 1.3 | 3800 | 18 | 0.14 | 31 | 44 | 2 |




*All model could be customized. Please contact with Sunon Sales.

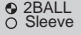
*Specifications subject to change without notice. Please Visit SUNON web site at <http://www.sunon.com> for update information.

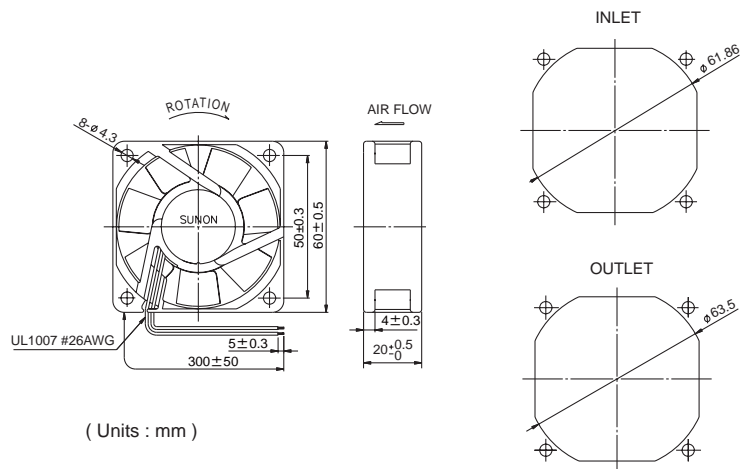
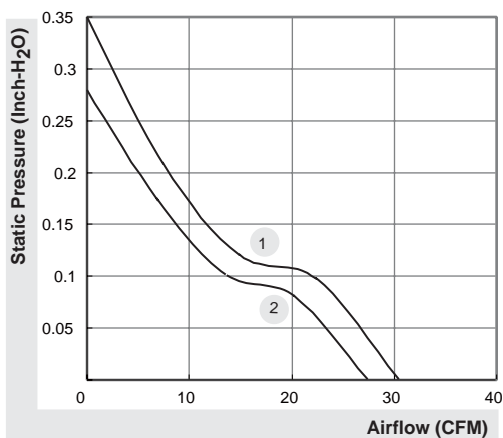
60x60x20 mm

27.5~30.5 CFM



|  | P/N | Bearing | Rating Voltage (VDC) | Power Current (AMP) | Power Consumption (WATTS) | Speed (RPM) | Air Flow (CFM) | Static Pressure (Inch-H ₂ O) | Noise (dBA) | Weight (g) | Curve |
|---|-----|---------|----------------------|---------------------|---------------------------|-------------|----------------|---|-------------|------------|-------|
| | | ● VAPO | | | | | | | | | |
| PMD1206PKVX-A | GN | ● | 12 | 0.275 | 3.3 | 5500 | 30.5 | 0.35 | 40 | 55 | 1 |
| PMD1206PKV1-A | GN | ● | 12 | 0.228 | 2.7 | 5000 | 27.5 | 0.28 | 38 | 55 | 2 |
| PMD2406PKVX-A | GN | ● | 24 | 0.157 | 3.8 | 5500 | 30.5 | 0.35 | 40 | 55 | 1 |
| PMD2406PKV1-A | GN | ● | 24 | 0.125 | 3.0 | 5000 | 27.5 | 0.28 | 38 | 55 | 2 |

| Model | P/N |  | (VDC) | (AMP) | (WATTS) | (RPM) | (CFM) | (Inch-H ₂ O) | (dBA) | (g) | Curve |
|---------------|--------|---|-------|-------|---------|-------|-------|-------------------------|-------|-----|-------|
| PMD1206PKBX-A | (2).GN | ⊙ | 12 | 0.274 | 3.3 | 5500 | 30.5 | 0.35 | 41 | 55 | 1 |
| PMD1206PKB1-A | (2).GN | ⊙ | 12 | 0.22 | 2.6 | 5000 | 27.5 | 0.28 | 39 | 55 | 2 |
| PMD2406PKBX-A | (2).GN | ⊙ | 24 | 0.151 | 3.6 | 5500 | 30.5 | 0.35 | 41 | 55 | 1 |
| PMD2406PKB1-A | (2).GN | ⊙ | 24 | 0.122 | 2.9 | 5000 | 27.5 | 0.28 | 39 | 55 | 2 |



*All model could be customized. Please contact with Sunon Sales.

*Specifications subject to change without notice. Please Visit SUNON web site at <http://www.sunon.com> for update information.

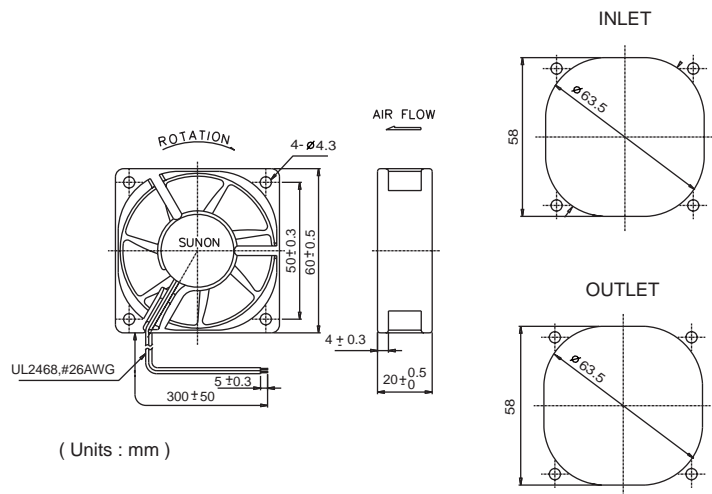
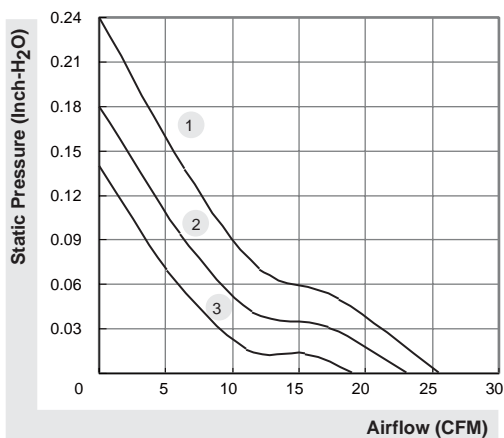
60x60x20 mm

19~25.5 CFM



| MAGLev by SUNON | P/N | Bearing | Rating Voltage (VDC) | Power Current (AMP) | Power Consumption (WATTS) | Speed (RPM) | Air Flow (CFM) | Static Pressure (Inch-H ₂ O) | Noise (dBA) | Weight (g) | Curve | |
|--------------------|-------------|---------|----------------------|---------------------|---------------------------|-------------|----------------|---|-------------|------------|-------|--------|
| | | | | | | | | | | | | ● VAPO |
| | KDE1206PKV1 | MS.A.GN | ● | 12 | 0.15 | 1.8 | 4500 | 23.0 | 0.18 | 33.5 | 52 | 1 |
| | KDE1206PKV2 | MS.A.GN | ● | 12 | 0.07 | 0.8 | 3700 | 19.0 | 0.14 | 28.0 | 52 | 2 |
| | KDE2406PKV1 | MS.A.GN | ● | 24 | 0.078 | 1.9 | 4500 | 23.0 | 0.18 | 33.5 | 52 | 1 |
| | KDE2406PKV2 | MS.A.GN | ● | 24 | 0.047 | 1.1 | 3700 | 19.0 | 0.14 | 28.0 | 52 | 2 |

| Model | P/N | 2BALL Sleeve | (VDC) | (AMP) | (WATTS) | (RPM) | (CFM) | (Inch-H ₂ O) | (dBA) | (g) | Curve |
|------------|--------|--------------|-------|-------|---------|-------|-------|-------------------------|-------|-----|-------|
| | | | | | | | | | | | |
| KD1206PKB1 | (2).GN | ⊕ | 12 | 0.154 | 1.9 | 4500 | 23.0 | 0.18 | 34.5 | 52 | 1 |
| KD1206PKB2 | (2).GN | ⊕ | 12 | 0.088 | 1.1 | 3700 | 19.0 | 0.14 | 29.0 | 52 | 2 |
| KD1206PKS1 | GN | ○ | 12 | 0.154 | 1.9 | 4500 | 23.0 | 0.18 | 33.5 | 52 | 1 |
| KD1206PKS2 | GN | ○ | 12 | 0.09 | 1.1 | 3700 | 19.0 | 0.14 | 28.0 | 52 | 2 |




*All model could be customized. Please contact with Sunon Sales.

*Specifications subject to change without notice. Please Visit SUNON web site at <http://www.sunon.com> for update information.

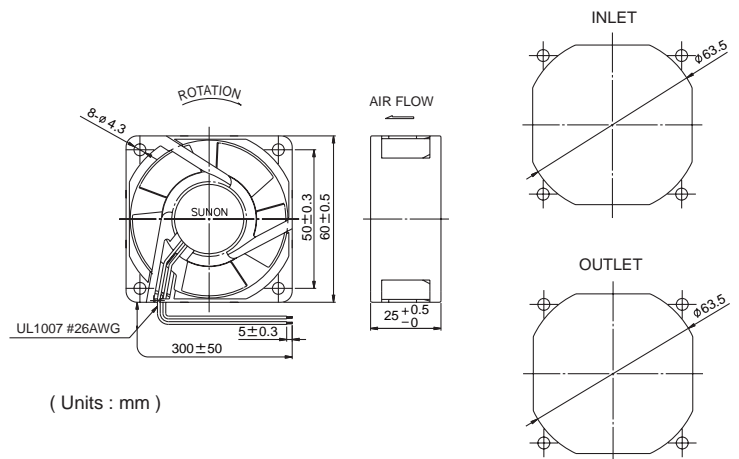
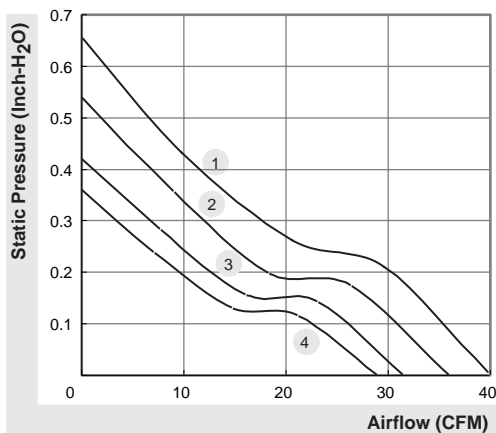
60x60x25 mm

29~40 CFM



|  | P/N | Bearing | Rating Voltage (VDC) | Power Current (AMP) | Power Consumption (WATTS) | Speed (RPM) | Air Flow (CFM) | Static Pressure (Inch-H ₂ O) | Noise (dBA) | Weight (g) | Curve |
|---|------|---------|----------------------|---------------------|---------------------------|-------------|----------------|---|-------------|------------|-------|
| | | | | | | | | | | | |
| PMD1206PTVX-A | U.GN | ● | 12 | 0.446 | 5.4 | 7600 | 40.0 | 0.64 | 45 | 75 | 1 |
| PMD1206PTV1-A | U.GN | ● | 12 | 0.357 | 4.3 | 6900 | 36.0 | 0.54 | 43 | 75 | 2 |
| PMD1206PTV2-A | U.GN | ● | 12 | 0.269 | 3.2 | 6100 | 31.5 | 0.42 | 41 | 75 | 3 |
| PMD1206PTV3-A | U.GN | ● | 12 | 0.235 | 2.8 | 5600 | 29.0 | 0.36 | 37 | 75 | 4 |
| PMD2406PTVX-A | U.GN | ● | 24 | 0.207 | 5.0 | 7600 | 40.0 | 0.64 | 45 | 75 | 1 |
| PMD2406PTV1-A | U.GN | ● | 24 | 0.181 | 4.3 | 6900 | 36.0 | 0.54 | 43 | 75 | 2 |
| PMD2406PTV2-A | U.GN | ● | 24 | 0.131 | 3.1 | 6100 | 31.5 | 0.42 | 41 | 75 | 3 |
| PMD2406PTV3-A | U.GN | ● | 24 | 0.114 | 2.7 | 5600 | 29.0 | 0.36 | 37 | 75 | 4 |
| PMD4806PTVX-A | U.GN | ● | 48 | 0.114 | 5.5 | 7600 | 40.0 | 0.64 | 45 | 75 | 1 |
| PMD4806PTV1-A | U.GN | ● | 48 | 0.099 | 4.8 | 6900 | 36.0 | 0.54 | 43 | 75 | 2 |
| PMD4806PTV2-A | U.GN | ● | 48 | 0.078 | 3.7 | 6100 | 31.5 | 0.42 | 41 | 75 | 3 |
| PMD4806PTV3-A | U.GN | ● | 48 | 0.069 | 3.3 | 5600 | 29.0 | 0.36 | 37 | 75 | 4 |

| Model | P/N | 2BALL Sleeve | (VDC) | (AMP) | (WATTS) | (RPM) | (CFM) | (Inch-H ₂ O) | (dBA) | (g) | Curve |
|---------------|----------|--------------|-------|-------|---------|-------|-------|-------------------------|-------|-----|-------|
| PMD1206PTBX-A | (2).U.GN | ⊗ | 12 | 0.41 | 4.9 | 7600 | 40.0 | 0.64 | 46 | 75 | 1 |
| PMD1206PTB1-A | (2).U.GN | ⊗ | 12 | 0.325 | 3.9 | 6900 | 36.0 | 0.54 | 44 | 75 | 2 |
| PMD1206PTB2-A | (2).U.GN | ⊗ | 12 | 0.258 | 3.1 | 6100 | 31.5 | 0.42 | 42 | 75 | 3 |
| PMD1206PTB3-A | (2).U.GN | ⊗ | 12 | 0.217 | 2.6 | 5600 | 29.0 | 0.36 | 38 | 75 | 4 |
| PMD2406PTBX-A | (2).U.GN | ⊗ | 24 | 0.197 | 4.7 | 7600 | 40.0 | 0.64 | 46 | 75 | 1 |
| PMD2406PTB1-A | (2).U.GN | ⊗ | 24 | 0.158 | 3.8 | 6900 | 36.0 | 0.54 | 44 | 75 | 2 |
| PMD2406PTB2-A | (2).U.GN | ⊗ | 24 | 0.121 | 2.9 | 6100 | 31.5 | 0.42 | 42 | 75 | 3 |
| PMD2406PTB3-A | (2).U.GN | ⊗ | 24 | 0.104 | 2.5 | 5600 | 29.0 | 0.36 | 38 | 75 | 4 |
| PMD4806PTBX-A | (2).U.GN | ⊗ | 48 | 0.112 | 5.4 | 7600 | 40.0 | 0.64 | 46 | 75 | 1 |
| PMD4806PTB1-A | (2).U.GN | ⊗ | 48 | 0.09 | 4.3 | 6900 | 36.0 | 0.54 | 44 | 75 | 2 |
| PMD4806PTB2-A | (2).U.GN | ⊗ | 48 | 0.072 | 3.5 | 6100 | 31.5 | 0.42 | 42 | 75 | 3 |
| PMD4806PTB3-A | (2).U.GN | ⊗ | 48 | 0.068 | 3.3 | 5600 | 29.0 | 0.36 | 38 | 75 | 4 |




*All model could be customized. Please contact with Sunon Sales.

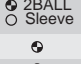
*Specifications subject to change without notice. Please Visit SUNON web site at <http://www.sunon.com> for update information.

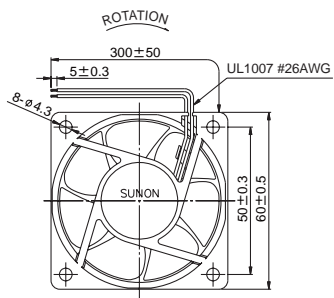
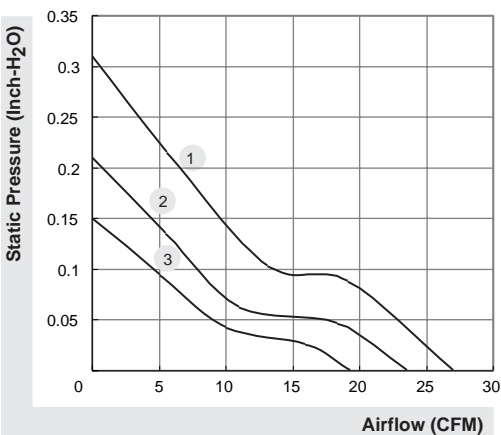
60x60x25 mm

19.3~27 CFM

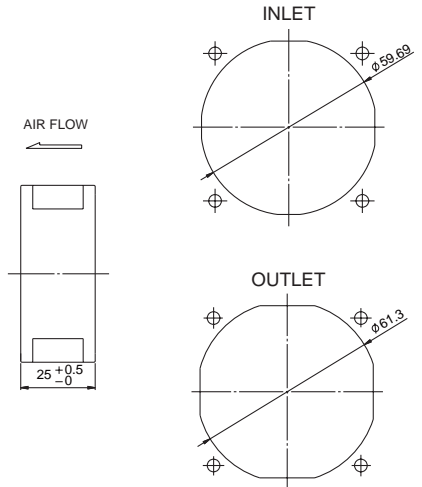


|  | P/N | Bearing | Rating Voltage (VDC) | Power Current (AMP) | Power Consumption (WATTS) | Speed (RPM) | Air Flow (CFM) | Static Pressure (Inch-H ₂ O) | Noise (dBA) | Weight (g) | Curve |
|---|---------|---------|----------------------|---------------------|---------------------------|-------------|----------------|---|-------------|------------|-------|
| | | | | | | | | | | | |
| KDE1206PTVX | MS.A.GN | ● | 12 | 0.23 | 2.8 | 5200 | 27.0 | 0.31 | 36.5 | 55 | 1 |
| KDE1206PTV1 | MS.A.GN | ● | 12 | 0.14 | 1.7 | 4500 | 23.5 | 0.21 | 33.5 | 55 | 2 |
| KDE1206PTV2 | MS.A.GN | ● | 12 | 0.07 | 0.8 | 3800 | 19.3 | 0.15 | 29.0 | 55 | 3 |
| KDE2406PTVX | MS.A.GN | ● | 24 | 0.114 | 2.7 | 5200 | 27.0 | 0.31 | 36.5 | 56 | 1 |
| KDE2406PTV1 | MS.A.GN | ● | 24 | 0.079 | 1.9 | 4500 | 23.5 | 0.21 | 33.5 | 56 | 2 |
| KDE2406PTV2 | MS.A.GN | ● | 24 | 0.048 | 1.2 | 3800 | 19.3 | 0.15 | 29.0 | 56 | 3 |

| Model | P/N |  | (VDC) | (AMP) | (WATTS) | (RPM) | (CFM) | (Inch-H ₂ O) | (dBA) | (g) | Curve |
|------------|--------|---|-------|-------|---------|-------|-------|-------------------------|-------|-----|-------|
| KD1206PTB1 | (2).GN | ● | 12 | 0.148 | 1.8 | 4500 | 23.5 | 0.21 | 34.5 | 55 | 2 |
| KD1206PTB2 | (2).GN | ● | 12 | 0.087 | 1.0 | 3800 | 19.3 | 0.15 | 30.0 | 55 | 3 |
| KD1206PTS1 | GN | ○ | 12 | 0.151 | 1.8 | 4500 | 23.5 | 0.21 | 33.5 | 55 | 2 |
| KD1206PTS2 | GN | ○ | 12 | 0.089 | 1.1 | 3800 | 19.3 | 0.15 | 29.0 | 55 | 3 |



(Units : mm)



*All model could be customized. Please contact with Sunon Sales.

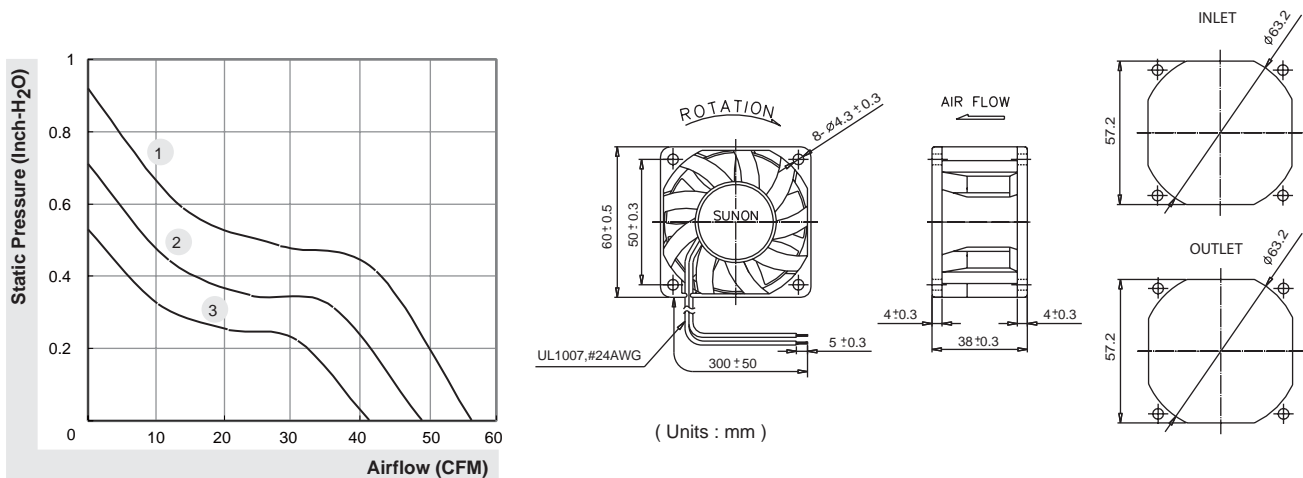
*Specifications subject to change without notice. Please Visit SUNON web site at <http://www.sunon.com> for update information.

60x60x38 mm

41.5~56.5 CFM



| Model | P/N | Bearing ● 2BALL ○ Sleeve | Rating Voltage (VDC) | Power Current (AMP) | Power Consumption (WATTS) | Speed (RPM) | Air Flow (CFM) | Static Pressure (Inch-H ₂ O) | Noise (dBA) | Weight (g) | Curve |
|---------------|--------|--------------------------------|----------------------|---------------------|---------------------------|-------------|----------------|---|-------------|------------|-------|
| PMD1206PMB1-A | (2).GN | ● | 12 | 0.88 | 10.6 | 8000 | 56.5 | 0.92 | 56 | 90 | 1 |
| PMD1206PMB2-A | (2).GN | ● | 12 | 0.58 | 7.0 | 7000 | 49.2 | 0.71 | 52 | 90 | 2 |
| PMD1206PMB3-A | (2).GN | ● | 12 | 0.43 | 5.2 | 6000 | 41.5 | 0.53 | 47 | 90 | 3 |
| PMD2406PMB1-A | (2).GN | ● | 24 | 0.43 | 10.3 | 8000 | 56.5 | 0.92 | 56 | 90 | 1 |
| PMD2406PMB2-A | (2).GN | ● | 24 | 0.31 | 7.4 | 7000 | 49.2 | 0.71 | 52 | 90 | 2 |
| PMD2406PMB3-A | (2).GN | ● | 24 | 0.22 | 5.3 | 6000 | 41.5 | 0.53 | 47 | 90 | 3 |
| PMD4806PMB1-A | (2).GN | ● | 48 | 0.24 | 11.5 | 8000 | 56.5 | 0.92 | 56 | 90 | 1 |
| PMD4806PMB2-A | (2).GN | ● | 48 | 0.18 | 8.6 | 7000 | 49.2 | 0.71 | 52 | 90 | 2 |
| PMD4806PMB3-A | (2).GN | ● | 48 | 0.13 | 6.2 | 6000 | 41.5 | 0.53 | 47 | 90 | 3 |



*All model could be customized. Please contact with Sunon Sales.

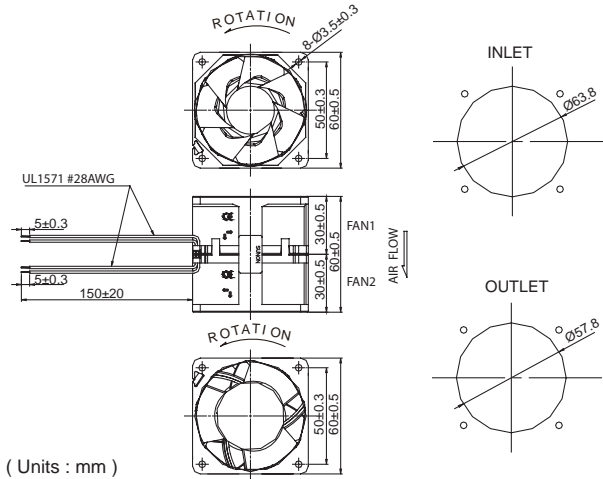
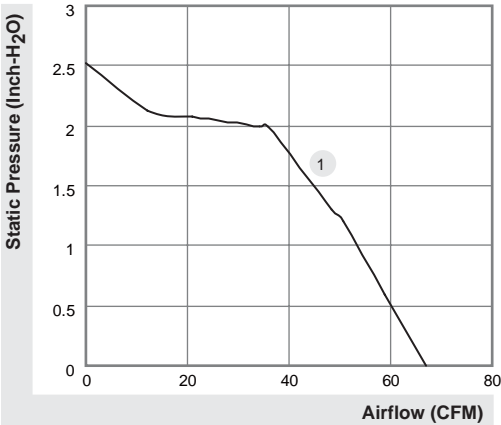
*Specifications subject to change without notice. Please Visit SUNON web site at <http://www.sunon.com> for update information.

60x60x60 mm

67 CFM



| Model | P/N | Bearing ● 2BALL ○ Sleeve | Rating Voltage (VDC) | Power Current (AMP) | Power Consumption (WATTS) | Speed (RPM) | Air Flow (CFM) | Static Pressure (Inch-H ₂ O) | Noise (dBA) | Weight (g) | Curve |
|---------------|----------------|--------------------------------|----------------------|---------------------|---------------------------|-------------|----------------|---|-------------|------------|-------|
| PSD1206PWB1-A | (2).Z.GN | ● | 12 | 1.69 | 20.3 | 11500/11000 | 67 | 2.53 | 66.3 | 203 | 1 |
| PSD1206PWB1-A | (2).Z.F.PWM.GN | ● | 12 | 1.69 | 20.3 | 11500/11000 | 67 | 2.53 | 66.3 | 203 | 1 |
| PSD1206PWB1-A | (2).Z.R.PWM.GN | ● | 12 | 1.69 | 20.3 | 11500/11000 | 67 | 2.53 | 66.3 | 203 | 1 |




*All model could be customized. Please contact with Sunon Sales.
 *Specifications are subject to change without notice. Please Visit SUNON web site at <http://www.sunon.com> for update information.

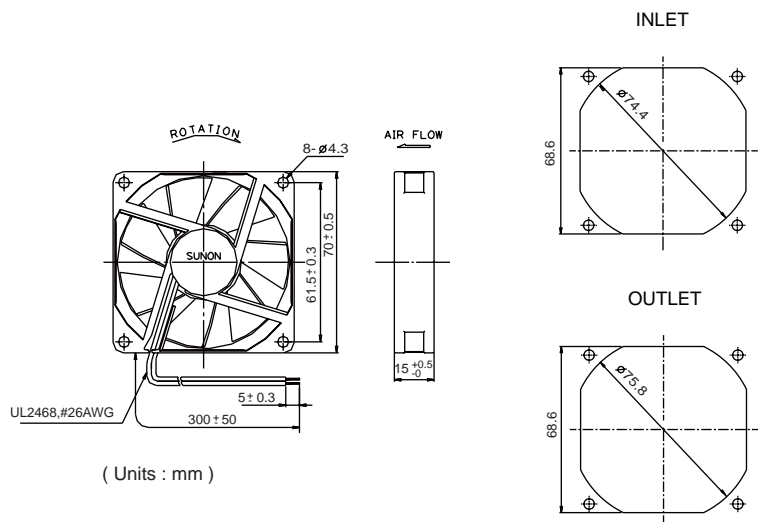
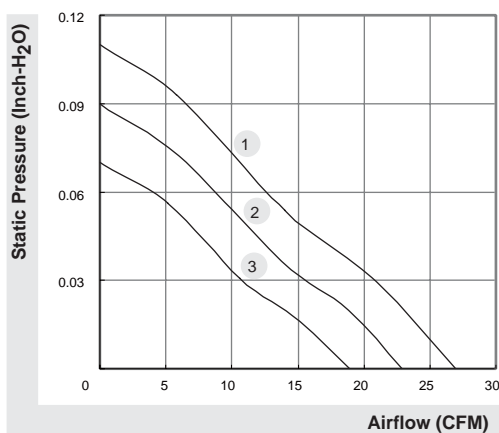
70x70x15 mm

19~27 CFM



|  | P/N | Bearing | Rating Voltage (VDC) | Power Current (AMP) | Power Consumption (WATTS) | Speed (RPM) | Air Flow (CFM) | Static Pressure (Inch-H ₂ O) | Noise (dBA) | Weight (g) | Curve |
|---|---------|---------|----------------------|---------------------|---------------------------|-------------|----------------|---|-------------|------------|-------|
| | | | | | | | | | | | |
| KDE0507PHV2 | MS.A.GN | ● | 5 | 0.2 | 1.0 | 2800 | 23 | 0.09 | 26.5 | 52 | 2 |
| KDE0507PHV3 | MS.A.GN | ● | 5 | 0.11 | 0.6 | 2300 | 19 | 0.07 | 21.5 | 52 | 3 |
| KDE1207PHV1 | MS.A.GN | ● | 12 | 0.16 | 1.9 | 3300 | 27 | 0.11 | 31.5 | 50 | 1 |
| KDE1207PHV2 | MS.A.GN | ● | 12 | 0.09 | 1.1 | 2800 | 23 | 0.09 | 26.5 | 50 | 2 |
| KDE1207PHV3 | MS.A.GN | ● | 12 | 0.05 | 0.6 | 2300 | 19 | 0.07 | 21.5 | 50 | 3 |
| KDE2407PHV1 | MS.A.GN | ● | 24 | 0.086 | 2.1 | 3300 | 27 | 0.11 | 31.5 | 52 | 2 |
| KDE2407PHV2 | MS.A.GN | ● | 24 | 0.054 | 1.3 | 2800 | 23 | 0.09 | 26.5 | 52 | 3 |

| Model | P/N | ● 2BALL Sleeve | (VDC) | (AMP) | (WATTS) | (RPM) | (CFM) | (Inch-H ₂ O) | (dBA) | (g) | Curve |
|------------|--------|----------------|-------|-------|---------|-------|-------|-------------------------|-------|-----|-------|
| KD0507PHB2 | (2).GN | ● | 5 | 0.218 | 1.1 | 2800 | 23 | 0.09 | 27.5 | 52 | 2 |
| KD0507PHB3 | (2).GN | ● | 5 | 0.13 | 0.7 | 2300 | 19 | 0.07 | 22.5 | 52 | 3 |
| KD0507PHS2 | GN | ○ | 5 | 0.218 | 1.1 | 2800 | 23 | 0.09 | 26.5 | 52 | 2 |
| KD0507PHS3 | GN | ○ | 5 | 0.131 | 0.7 | 2300 | 19 | 0.07 | 21.5 | 52 | 3 |
| KD1207PHB1 | (2).GN | ● | 12 | 0.173 | 2.1 | 3300 | 27 | 0.11 | 32.5 | 50 | 1 |
| KD1207PHB2 | (2).GN | ● | 12 | 0.104 | 1.3 | 2800 | 23 | 0.09 | 27.5 | 50 | 2 |
| KD1207PHB3 | (2).GN | ● | 12 | 0.066 | 0.8 | 2300 | 19 | 0.07 | 22.5 | 50 | 3 |
| KD1207PHS1 | GN | ○ | 12 | 0.171 | 2.1 | 3300 | 27 | 0.11 | 31.5 | 50 | 1 |
| KD1207PHS2 | GN | ○ | 12 | 0.102 | 1.2 | 2800 | 23 | 0.09 | 26.5 | 50 | 2 |
| KD1207PHS3 | GN | ○ | 12 | 0.067 | 0.8 | 2300 | 19 | 0.07 | 21.5 | 50 | 3 |



*All model could be customized. Please contact with Sunon Sales.

*Specifications subject to change without notice. Please Visit SUNON web site at <http://www.sunon.com> for update information.

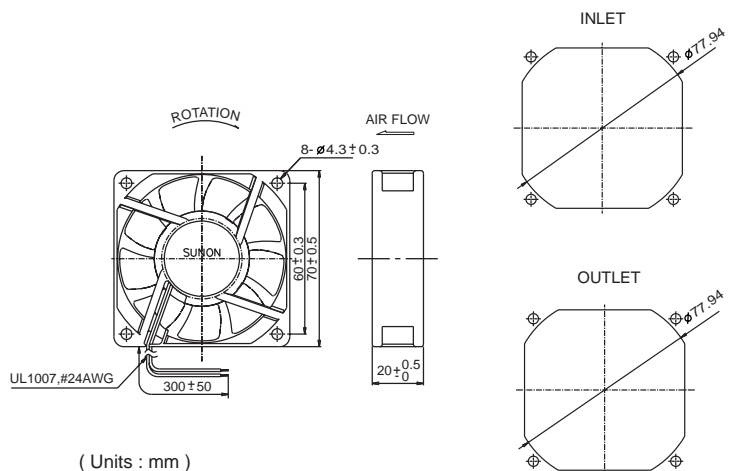
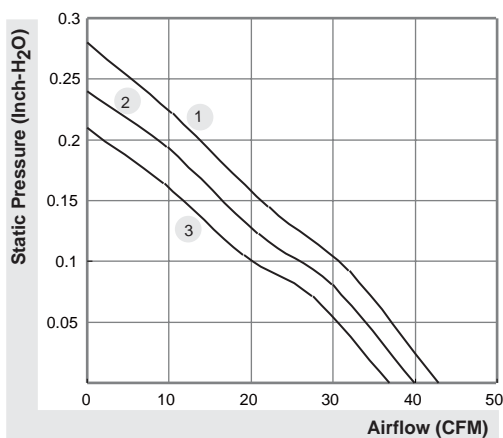
70x70x20 mm

37~43 CFM



| MAGLeV by SUNON | P/N | Bearing | Rating Voltage (VDC) | Power Current (AMP) | Power Consumption (WATTS) | Speed (RPM) | Air Flow (CFM) | Static Pressure (Inch-H ₂ O) | Noise (dBA) | Weight (g) | Curve |
|--------------------|-----|---------|----------------------|---------------------|---------------------------|-------------|----------------|---|-------------|------------|-------|
| | | | | | | | | | | | |
| PMD1207PKV1-A | GN | ● | 12 | 0.39 | 4.7 | 4600 | 43 | 0.28 | 41.5 | 80 | 1 |
| PMD1207PKV2-A | GN | ● | 12 | 0.31 | 3.7 | 4300 | 40 | 0.24 | 40.0 | 80 | 2 |
| PMD1207PKV3-A | GN | ● | 12 | 0.26 | 3.1 | 4000 | 37 | 0.21 | 37.5 | 80 | 3 |
| PMD2407PKV1-A | GN | ● | 24 | 0.21 | 5.0 | 4600 | 43 | 0.28 | 41.5 | 80 | 1 |
| PMD2407PKV2-A | GN | ● | 24 | 0.17 | 4.1 | 4300 | 40 | 0.24 | 40.0 | 80 | 2 |
| PMD2407PKV3-A | GN | ● | 24 | 0.14 | 3.4 | 4000 | 37 | 0.21 | 37.5 | 80 | 3 |

| Model | P/N | 2BALL Sleeve | (VDC) | (AMP) | (WATTS) | (RPM) | (CFM) | (Inch-H ₂ O) | (dBA) | (g) | Curve |
|---------------|--------|--------------|-------|-------|---------|-------|-------|-------------------------|-------|-----|-------|
| PMD1207PKB1-A | (2).GN | ⊙ | 12 | 0.39 | 4.7 | 4600 | 43 | 0.28 | 42.5 | 80 | 1 |
| PMD1207PKB2-A | (2).GN | ⊙ | 12 | 0.31 | 3.7 | 4300 | 40 | 0.24 | 41.0 | 80 | 2 |
| PMD1207PKB3-A | (2).GN | ⊙ | 12 | 0.26 | 3.1 | 4000 | 37 | 0.21 | 38.5 | 80 | 3 |
| PMD2407PKB1-A | (2).GN | ⊙ | 24 | 0.21 | 5.0 | 4600 | 43 | 0.28 | 42.5 | 80 | 1 |
| PMD2407PKB2-A | (2).GN | ⊙ | 24 | 0.17 | 4.1 | 4300 | 40 | 0.24 | 41.0 | 80 | 2 |
| PMD2407PKB3-A | (2).GN | ⊙ | 24 | 0.14 | 3.4 | 4000 | 37 | 0.21 | 38.5 | 80 | 3 |




*All model could be customized. Please contact with Sunon Sales.

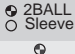
*Specifications subject to change without notice. Please Visit SUNON web site at <http://www.sunon.com> for update information.

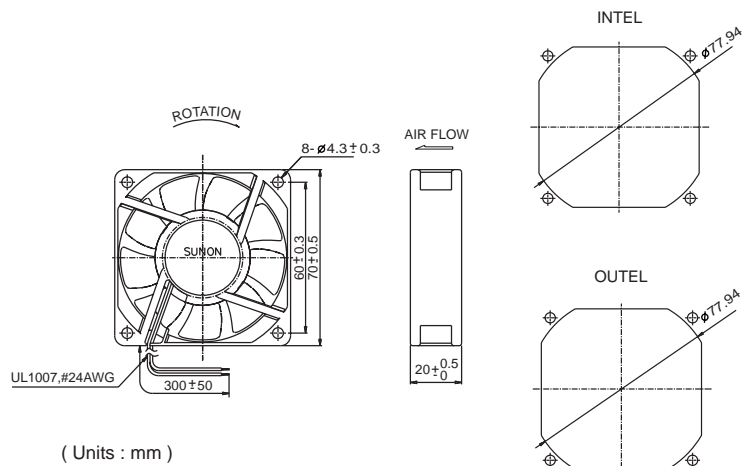
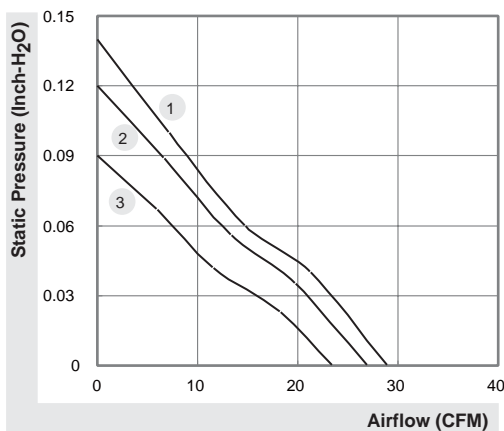
70x70x20 mm

23.5~29 CFM



|  | P/N | Bearing | Rating Voltage (VDC) | Power Current (AMP) | Power Consumption (WATTS) | Speed (RPM) | Air Flow (CFM) | Static Pressure (Inch-H ₂ O) | Noise (dBA) | Weight (g) | Curve |
|---|------------|---------|----------------------|---------------------|---------------------------|-------------|----------------|---|-------------|------------|-------|
| | | ● VAPO | | | | | | | | | |
| KDE1207PKV1 | 13.MS.A.GN | ● | 12 | 0.12 | 1.4 | 3200 | 29.0 | 0.14 | 33 | 66 | 1 |
| KDE1207PKV2 | 13.MS.A.GN | ● | 12 | 0.10 | 1.2 | 2900 | 27.0 | 0.12 | 30 | 66 | 2 |
| KDE1207PKV3 | 13.MS.A.GN | ● | 12 | 0.07 | 0.8 | 2600 | 23.5 | 0.09 | 26 | 66 | 3 |
| KDE2407PKV1 | 13.MS.A.GN | ● | 24 | 0.07 | 1.7 | 3200 | 29.0 | 0.14 | 33 | 68 | 1 |
| KDE2407PKV2 | 13.MS.A.GN | ● | 24 | 0.05 | 1.2 | 2900 | 27.0 | 0.12 | 30 | 68 | 2 |
| KDE2407PKV3 | 13.MS.A.GN | ● | 24 | 0.04 | 1.0 | 2600 | 23.5 | 0.09 | 26 | 68 | 3 |

| Model | P/N |  2BALL Sleeve | (VDC) | (AMP) | (WATTS) | (RPM) | (CFM) | (Inch-H ₂ O) | (dBA) | (g) | Curve |
|------------|-------------|--|-------|-------|---------|-------|-------|-------------------------|-------|-----|-------|
| KD1207PKB1 | 13.(2).GN | ⊙ | 12 | 0.13 | 1.6 | 3200 | 29.0 | 0.14 | 33.5 | 66 | 1 |
| KD1207PKB2 | 13.(2).GN | ⊙ | 12 | 0.1 | 1.2 | 2900 | 27.0 | 0.12 | 31 | 66 | 2 |
| KD1207PKB3 | 13.(2).GN | ⊙ | 12 | 0.08 | 1.0 | 2600 | 23.5 | 0.09 | 27 | 66 | 3 |
| KD1207PKS1 | 13.GN | ○ | 12 | 0.14 | 1.7 | 3200 | 29.0 | 0.14 | 33 | 66 | 1 |
| KD1207PKS2 | 13.GN | ○ | 12 | 0.11 | 1.3 | 2900 | 27.0 | 0.12 | 30 | 66 | 2 |
| KD1207PKS3 | 13.GN | ○ | 12 | 0.08 | 1.0 | 2600 | 23.5 | 0.09 | 26 | 66 | 3 |
| KD2407PKB1 | 13.(2).A.GN | ⊙ | 24 | 0.06 | 1.4 | 3200 | 29.0 | 0.14 | 33.5 | 68 | 1 |
| KD2407PKB2 | 13.(2).A.GN | ⊙ | 24 | 0.05 | 1.2 | 2900 | 27.0 | 0.12 | 31 | 68 | 2 |
| KD2407PKB3 | 13.(2).A.GN | ⊙ | 24 | 0.04 | 1.0 | 2600 | 23.5 | 0.09 | 27 | 68 | 3 |
| KD2407PKS1 | 13.A.GN | ○ | 24 | 0.06 | 1.4 | 3200 | 29.0 | 0.14 | 33 | 68 | 1 |
| KD2407PKS2 | 13.A.GN | ○ | 24 | 0.05 | 1.2 | 2900 | 27.0 | 0.12 | 30 | 68 | 2 |
| KD2407PKS3 | 13.A.GN | ○ | 24 | 0.04 | 1.0 | 2600 | 23.5 | 0.09 | 26 | 68 | 3 |




*All model could be customized. Please contact with Sunon Sales.

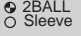
*Specifications subject to change without notice. Please Visit SUNON web site at <http://www.sunon.com> for update information.

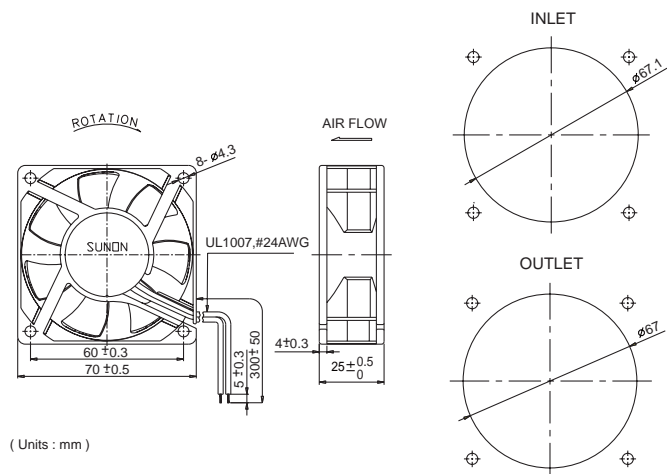
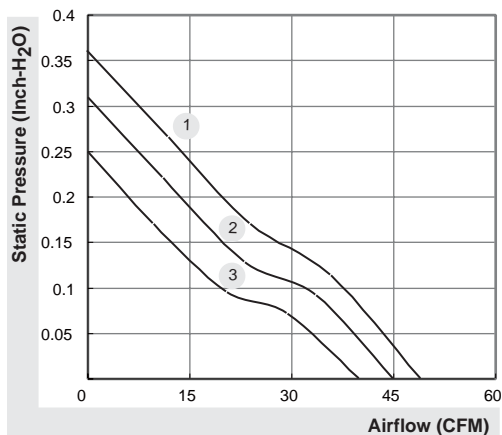
70x70x25 mm

40~49 CFM



|  | P/N | Bearing | Rating Voltage (VDC) | Power Current (AMP) | Power Consumption (WATTS) | Speed (RPM) | Air Flow (CFM) | Static Pressure (Inch-H ₂ O) | Noise (dBA) | Weight (g) | Curve |
|---|-----|---------|----------------------|---------------------|---------------------------|-------------|----------------|---|-------------|------------|-------|
| | | | | | | | | | | | |
| PMD1207PTV1-A | GN | ● | 12 | 0.37 | 4.4 | 5100 | 49 | 0.36 | 44 | 90 | 1 |
| PMD1207PTV2-A | GN | ● | 12 | 0.32 | 3.8 | 4700 | 45 | 0.31 | 42 | 90 | 2 |
| PMD1207PTV3-A | GN | ● | 12 | 0.25 | 3.0 | 4200 | 40 | 0.25 | 38 | 90 | 3 |
| PMD2407PTV1-A | GN | ● | 24 | 0.20 | 4.8 | 5100 | 49 | 0.36 | 44 | 90 | 1 |
| PMD2407PTV2-A | GN | ● | 24 | 0.16 | 3.8 | 4700 | 45 | 0.31 | 42 | 90 | 2 |
| PMD2407PTV3-A | GN | ● | 24 | 0.13 | 3.1 | 4200 | 40 | 0.25 | 38 | 90 | 3 |
| PMD4807PTV1-A | GN | ● | 48 | 0.12 | 5.8 | 5100 | 49 | 0.36 | 44 | 90 | 1 |
| PMD4807PTV2-A | GN | ● | 48 | 0.11 | 5.3 | 4700 | 45 | 0.31 | 42 | 90 | 2 |
| PMD4807PTV3-A | GN | ● | 48 | 0.09 | 4.3 | 4200 | 40 | 0.25 | 38 | 90 | 3 |

| Model | P/N |  | (VDC) | (AMP) | (WATTS) | (RPM) | (CFM) | (Inch-H ₂ O) | (dBA) | (g) | Curve |
|---------------|--------|--|-------|-------|---------|-------|-------|-------------------------|-------|-----|-------|
| PMD1207PTB1-A | (2).GN | ⊙ | 12 | 0.37 | 4.4 | 5100 | 49 | 0.36 | 45 | 90 | 1 |
| PMD1207PTB2-A | (2).GN | ⊙ | 12 | 0.31 | 3.7 | 4700 | 45 | 0.31 | 43 | 90 | 2 |
| PMD1207PTB3-A | (2).GN | ⊙ | 12 | 0.24 | 2.9 | 4200 | 40 | 0.25 | 39 | 90 | 3 |
| PMD2407PTB1-A | (2).GN | ⊙ | 24 | 0.19 | 4.6 | 5100 | 49 | 0.36 | 45 | 90 | 1 |
| PMD2407PTB2-A | (2).GN | ⊙ | 24 | 0.15 | 3.6 | 4700 | 45 | 0.31 | 43 | 90 | 2 |
| PMD2407PTB3-A | (2).GN | ⊙ | 24 | 0.12 | 2.9 | 4200 | 40 | 0.25 | 39 | 90 | 3 |
| PMD4807PTB1-A | (2).GN | ⊙ | 48 | 0.12 | 5.8 | 5100 | 49 | 0.36 | 45 | 90 | 1 |
| PMD4807PTB2-A | (2).GN | ⊙ | 48 | 0.10 | 4.8 | 4700 | 45 | 0.31 | 43 | 90 | 2 |
| PMD4807PTB3-A | (2).GN | ⊙ | 48 | 0.08 | 4.3 | 4200 | 40 | 0.25 | 39 | 90 | 3 |




*All model could be customized. Please contact with Sunon Sales.

*Specifications subject to change without notice. Please Visit SUNON web site at <http://www.sunon.com> for update information.

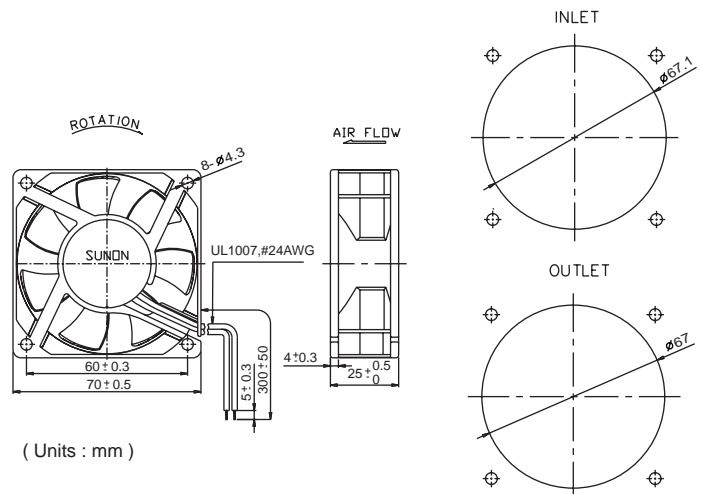
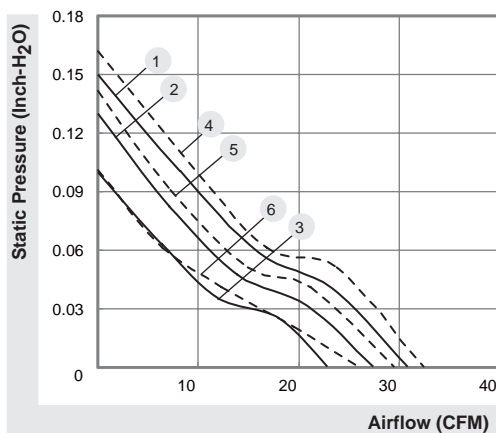
70x70x25 mm

24~32.5 CFM



|  | P/N | Bearing | Rating Voltage (VDC) | Power Current (AMP) | Power Consumption (WATTS) | Speed (RPM) | Air Flow (CFM) | Static Pressure (Inch-H ₂ O) | Noise (dBA) | Weight (g) | Curve |
|---|------------|---------|----------------------|---------------------|---------------------------|-------------|----------------|---|-------------|------------|-------|
| | | | | | | | | | | | |
| KDE1207PTV1 | 13.MS.A.GN | ● | 12 | 0.12 | 1.4 | 3200 | 31.0 | 0.15 | 32 | 70 | 1 |
| KDE1207PTV2 | 13.MS.A.GN | ● | 12 | 0.09 | 1.1 | 2900 | 28.0 | 0.13 | 29 | 70 | 2 |
| KDE1207PTV3 | 13.MS.A.GN | ● | 12 | 0.06 | 0.7 | 2500 | 24.0 | 0.10 | 25 | 70 | 3 |
| KDE2407PTV1 | 13.MS.A.GN | ● | 24 | 0.06 | 1.4 | 3200 | 31.0 | 0.15 | 32 | 72 | 1 |
| KDE2407PTV2 | 13.MS.A.GN | ● | 24 | 0.05 | 1.2 | 2900 | 28.0 | 0.13 | 29 | 72 | 2 |
| KDE2407PTV3 | 13.MS.A.GN | ● | 24 | 0.04 | 1.0 | 2500 | 24.0 | 0.10 | 25 | 72 | 3 |

| Model | P/N | ● 2BALL Sleeve | (VDC) | (AMP) | (WATTS) | (RPM) | (CFM) | (Inch-H ₂ O) | (dBA) | (g) | Curve |
|------------|-----------|----------------|-------|-------|---------|-------|-------|-------------------------|-------|-----|-------|
| KD1207PTB1 | 13.(2).GN | ⊙ | 12 | 0.12 | 1.4 | 3400 | 32.5 | 0.16 | 33 | 70 | 4 |
| KD1207PTB2 | 13.(2).GN | ⊙ | 12 | 0.1 | 1.2 | 3100 | 29.5 | 0.14 | 31 | 70 | 5 |
| KD1207PTB3 | 13.(2).GN | ⊙ | 12 | 0.07 | 0.8 | 2700 | 26.0 | 0.10 | 28 | 70 | 6 |
| KD1207PTS1 | 13.GN | ○ | 12 | 0.13 | 1.6 | 3200 | 31.0 | 0.15 | 32 | 70 | 1 |
| KD1207PTS2 | 13.GN | ○ | 12 | 0.1 | 1.2 | 2900 | 28.0 | 0.13 | 29 | 70 | 2 |
| KD1207PTS3 | 13.GN | ○ | 12 | 0.08 | 1.0 | 2500 | 24.0 | 0.10 | 25 | 70 | 3 |
| KD2407PTB1 | 13.(2).GN | ⊙ | 24 | 0.06 | 1.4 | 3400 | 32.5 | 0.16 | 33 | 72 | 4 |
| KD2407PTB2 | 13.(2).GN | ⊙ | 24 | 0.05 | 1.2 | 3100 | 29.5 | 0.14 | 31 | 72 | 5 |
| KD2407PTB3 | 13.(2).GN | ⊙ | 24 | 0.04 | 1.0 | 2700 | 26.0 | 0.10 | 28 | 72 | 6 |
| KD2407PTS1 | 13.GN | ○ | 24 | 0.06 | 1.4 | 3200 | 31.0 | 0.15 | 32 | 72 | 1 |
| KD2407PTS2 | 13.GN | ○ | 24 | 0.05 | 1.2 | 2900 | 28.0 | 0.13 | 29 | 72 | 2 |
| KD2407PTS3 | 13.GN | ○ | 24 | 0.04 | 1.0 | 2500 | 24.0 | 0.10 | 25 | 72 | 3 |



*All model could be customized. Please contact with Sunon Sales.

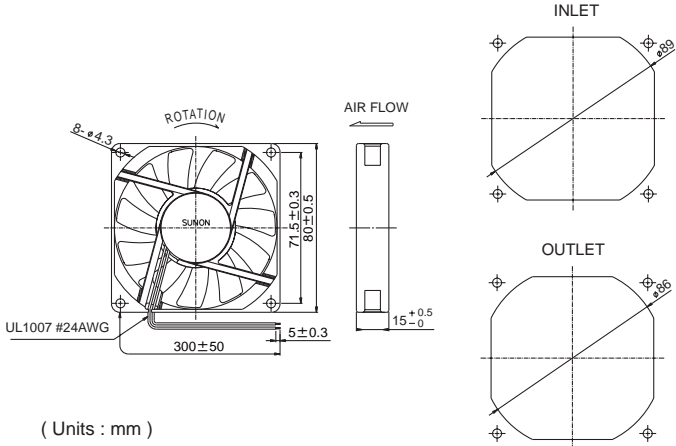
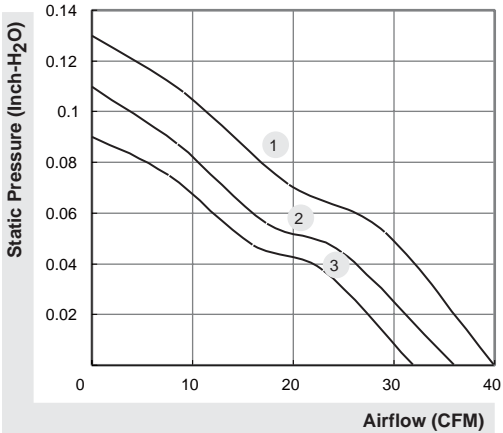
*Specifications subject to change without notice. Please Visit SUNON web site at <http://www.sunon.com> for update information.

80x80x15 mm

32~40 CFM



| Model | P/N | Bearing ● 2BALL ○ Sleeve | Rating Voltage (VDC) | Power Current (AMP) | Power Consumption (WATTS) | Speed (RPM) | Air Flow (CFM) | Static Pressure (Inch-H ₂ O) | Noise (dBA) | Weight (g) | Curve |
|------------|-----------|--------------------------------|----------------------|---------------------|---------------------------|-------------|----------------|---|-------------|------------|-------|
| KD1208PHB1 | 13.(2).GN | ● | 12 | 0.21 | 2.5 | 3000 | 40 | 0.13 | 35 | 68 | 1 |
| KD1208PHB2 | 13.(2).GN | ○ | 12 | 0.13 | 1.6 | 2700 | 36 | 0.11 | 32 | 68 | 2 |
| KD1208PHB3 | 13.(2).GN | ○ | 12 | 0.1 | 1.2 | 2400 | 32 | 0.09 | 29 | 68 | 3 |
| KD2408PHB1 | 13.(2).GN | ● | 24 | 0.102 | 2.5 | 3000 | 40 | 0.13 | 35 | 68 | 1 |
| KD2408PHB2 | 13.(2).GN | ○ | 24 | 0.088 | 2.1 | 2700 | 36 | 0.11 | 32 | 68 | 2 |
| KD2408PHB3 | 13.(2).GN | ○ | 24 | 0.073 | 1.8 | 2400 | 32 | 0.09 | 29 | 68 | 3 |




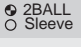
*All model could be customized. Please contact with Sunon Sales.
 *Specifications are subject to change without notice. Please Visit SUNON web site at <http://www.sunon.com> for update information.

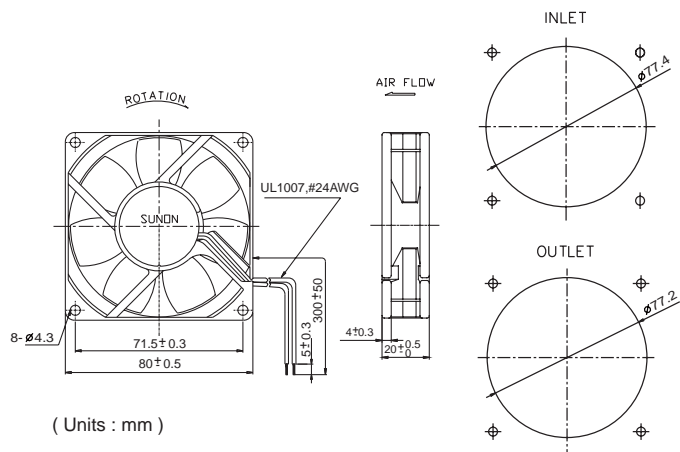
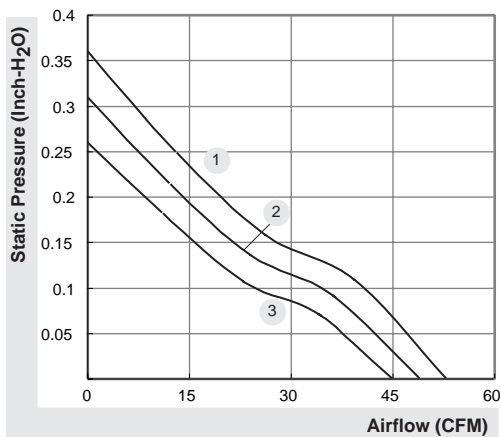
80x80x20 mm

45~53 CFM



|  | P/N | Bearing | Rating Voltage (VDC) | Power Current (AMP) | Power Consumption (WATTS) | Speed (RPM) | Air Flow (CFM) | Static Pressure (Inch-H ₂ O) | Noise (dBA) | Weight (g) | Curve |
|---|-----|---------|----------------------|---------------------|---------------------------|-------------|----------------|---|-------------|------------|-------|
| | | | | | | | | | | | |
| PMD1208PKV1-A | GN | ● | 12 | 0.39 | 4.7 | 4600 | 53 | 0.36 | 48 | 85 | 1 |
| PMD1208PKV2-A | GN | ● | 12 | 0.31 | 3.7 | 4200 | 49 | 0.31 | 45 | 85 | 2 |
| PMD1208PKV3-A | GN | ● | 12 | 0.26 | 3.1 | 3900 | 45 | 0.26 | 43 | 85 | 3 |
| PMD2408PKV1-A | GN | ● | 24 | 0.21 | 5.0 | 4600 | 53 | 0.36 | 48 | 85 | 1 |
| PMD2408PKV2-A | GN | ● | 24 | 0.17 | 4.1 | 4200 | 49 | 0.31 | 45 | 85 | 2 |
| PMD2408PKV3-A | GN | ● | 24 | 0.14 | 3.4 | 3900 | 45 | 0.26 | 43 | 85 | 3 |

| Model | P/N |  | (VDC) | (AMP) | (WATTS) | (RPM) | (CFM) | (Inch-H ₂ O) | (dBA) | (g) | Curve |
|---------------|--------|---|-------|-------|---------|-------|-------|-------------------------|-------|-----|-------|
| PMD1208PKB1-A | (2).GN | ⊙ | 12 | 0.39 | 4.7 | 4600 | 53 | 0.36 | 49 | 85 | 1 |
| PMD1208PKB2-A | (2).GN | ⊙ | 12 | 0.31 | 3.7 | 4200 | 49 | 0.31 | 46 | 85 | 2 |
| PMD1208PKB3-A | (2).GN | ⊙ | 12 | 0.26 | 3.1 | 3900 | 45 | 0.26 | 44 | 85 | 3 |
| PMD2408PKB1-A | (2).GN | ⊙ | 24 | 0.21 | 5.0 | 4600 | 53 | 0.36 | 49 | 85 | 1 |
| PMD2408PKB2-A | (2).GN | ⊙ | 24 | 0.17 | 4.1 | 4200 | 49 | 0.31 | 46 | 85 | 2 |
| PMD2408PKB3-A | (2).GN | ⊙ | 24 | 0.14 | 3.4 | 3900 | 45 | 0.26 | 44 | 85 | 3 |




*All model could be customized. Please contact with Sunon Sales.

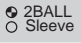
*Specifications subject to change without notice. Please Visit SUNON web site at <http://www.sunon.com> for update information.

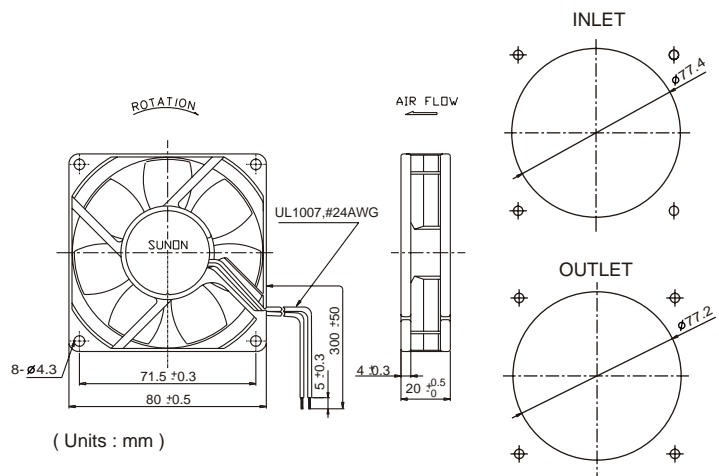
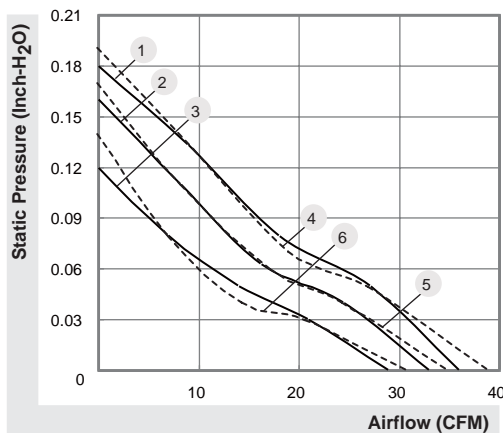
80x80x20 mm

29~39 CFM



|  | P/N | Bearing | Rating Voltage (VDC) | Power Current (AMP) | Power Consumption (WATTS) | Speed (RPM) | Air Flow (CFM) | Static Pressure (Inch-H ₂ O) | Noise (dBA) | Weight (g) | Curve | |
|---|-------------|------------|----------------------|---------------------|---------------------------|-------------|----------------|---|-------------|------------|-------|--------|
| | | | | | | | | | | | | ● VAPO |
| | KDE1208PKV1 | 13.MS.A.GN | ● | 12 | 0.13 | 1.6 | 3200 | 36 | 0.18 | 38 | 72 | 1 |
| | KDE1208PKV2 | 13.MS.A.GN | ● | 12 | 0.10 | 1.2 | 2900 | 33 | 0.16 | 35 | 72 | 2 |
| | KDE1208PKV3 | 13.MS.A.GN | ● | 12 | 0.07 | 0.8 | 2500 | 29 | 0.12 | 30 | 72 | 3 |
| | KDE2408PKV1 | 13.MS.A.GN | ● | 24 | 0.07 | 1.7 | 3200 | 36 | 0.18 | 38 | 72 | 1 |
| | KDE2408PKV2 | 13.MS.A.GN | ● | 24 | 0.05 | 1.2 | 2900 | 33 | 0.16 | 35 | 72 | 2 |
| | KDE2408PKV3 | 13.MS.A.GN | ● | 24 | 0.04 | 1.0 | 2500 | 29 | 0.12 | 30 | 72 | 3 |

| Model | P/N |  | (VDC) | (AMP) | (WATTS) | (RPM) | (CFM) | (Inch-H ₂ O) | (dBA) | (g) | Curve |
|------------|-----------|---|-------|-------|---------|-------|-------|-------------------------|-------|-----|-------|
| | | | | | | | | | | | |
| KD1208PKB1 | 13.(2).GN | ⊙ | 12 | 0.13 | 1.6 | 3300 | 39 | 0.19 | 39 | 72 | 4 |
| KD1208PKB2 | 13.(2).GN | ⊙ | 12 | 0.11 | 1.3 | 3000 | 35 | 0.17 | 37 | 72 | 5 |
| KD1208PKB3 | 13.(2).GN | ⊙ | 12 | 0.08 | 1.0 | 2600 | 31 | 0.14 | 33 | 72 | 6 |
| KD1208PKS1 | 13.GN | ○ | 12 | 0.14 | 1.7 | 3200 | 36 | 0.18 | 38 | 72 | 1 |
| KD1208PKS2 | 13.GN | ○ | 12 | 0.11 | 1.3 | 2900 | 33 | 0.16 | 35 | 72 | 2 |
| KD1208PKS3 | 13.GN | ○ | 12 | 0.08 | 1.0 | 2500 | 29 | 0.12 | 30 | 72 | 3 |
| KD2408PKB1 | 13.(2).GN | ⊙ | 24 | 0.062 | 1.5 | 3300 | 39 | 0.19 | 39 | 72 | 4 |
| KD2408PKB2 | 13.(2).GN | ⊙ | 24 | 0.047 | 1.1 | 3000 | 35 | 0.17 | 37 | 72 | 5 |
| KD2408PKB3 | 13.(2).GN | ⊙ | 24 | 0.035 | 0.8 | 2600 | 31 | 0.14 | 33 | 72 | 6 |
| KD2408PKS1 | 13.GN | ○ | 24 | 0.061 | 1.5 | 3200 | 36 | 0.18 | 38 | 72 | 1 |
| KD2408PKS2 | 13.GN | ○ | 24 | 0.05 | 1.2 | 2900 | 33 | 0.16 | 35 | 72 | 2 |
| KD2408PKS3 | 13.GN | ○ | 24 | 0.041 | 1.0 | 2500 | 29 | 0.12 | 30 | 72 | 3 |



*All model could be customized. Please contact with Sunon Sales.

*Specifications subject to change without notice. Please Visit SUNON web site at <http://www.sunon.com> for update information.

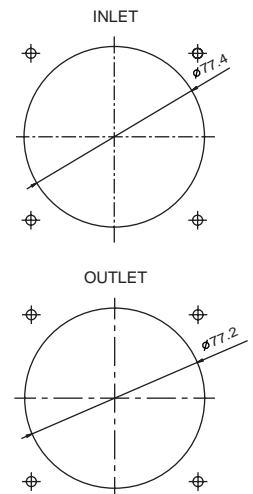
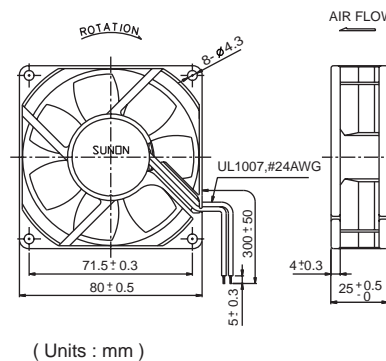
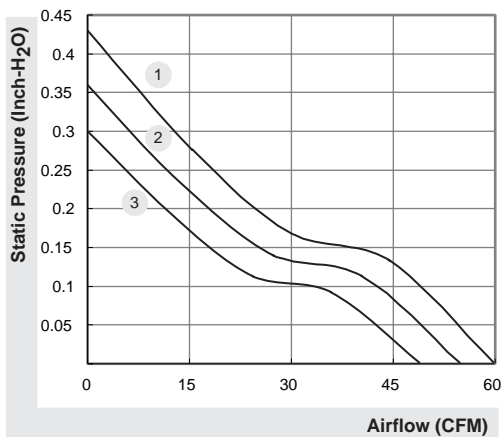
80x80x25 mm

49~60 CFM



| MAGLev by SUNON | P/N | Bearing ● VAPO | Rating Voltage (VDC) | Power Current (AMP) | Power Consumption (WATTS) | Speed (RPM) | Air Flow (CFM) | Static Pressure (Inch-H ₂ O) | Noise (dBA) | Weight (g) | Curve |
|--------------------|-----|-------------------|-------------------------|------------------------|------------------------------|----------------|-------------------|--|----------------|---------------|-------|
| | | | | | | | | | | | |
| PMD1208PTV2-A | GN | ● | 12 | 0.34 | 4.1 | 4300 | 55 | 0.36 | 44 | 100 | 2 |
| PMD1208PTV3-A | GN | ● | 12 | 0.27 | 3.2 | 3900 | 49 | 0.30 | 41 | 100 | 3 |
| PMD2408PTV1-A | GN | ● | 24 | 0.22 | 5.3 | 4700 | 60 | 0.43 | 46 | 100 | 1 |
| PMD2408PTV2-A | GN | ● | 24 | 0.17 | 4.1 | 4300 | 55 | 0.36 | 44 | 100 | 2 |
| PMD2408PTV3-A | GN | ● | 24 | 0.14 | 3.4 | 3900 | 49 | 0.30 | 41 | 100 | 3 |
| PMD4808PTV1-A | GN | ● | 48 | 0.13 | 6.2 | 4700 | 60 | 0.43 | 46 | 100 | 1 |
| PMD4808PTV2-A | GN | ● | 48 | 0.11 | 5.3 | 4300 | 55 | 0.36 | 44 | 100 | 2 |
| PMD4808PTV3-A | GN | ● | 48 | 0.09 | 4.3 | 3900 | 49 | 0.30 | 41 | 100 | 3 |

| Model | P/N | 2BALL Sleeve | (VDC) | (AMP) | (WATTS) | (RPM) | (CFM) | (Inch-H ₂ O) | (dBA) | (g) | Curve |
|---------------|--------|-----------------|-------|-------|---------|-------|-------|-------------------------|-------|-----|-------|
| PMD1208PTB1-A | (2).GN | ⊙ | 12 | 0.40 | 4.8 | 4700 | 60 | 0.43 | 47 | 100 | 1 |
| PMD1208PTB2-A | (2).GN | ⊙ | 12 | 0.34 | 4.1 | 4300 | 55 | 0.36 | 45 | 100 | 2 |
| PMD1208PTB3-A | (2).GN | ⊙ | 12 | 0.26 | 3.1 | 3900 | 49 | 0.30 | 42 | 100 | 3 |
| PMD2408PTB1-A | (2).GN | ⊙ | 24 | 0.21 | 5.0 | 4700 | 60 | 0.43 | 47 | 100 | 1 |
| PMD2408PTB2-A | (2).GN | ⊙ | 24 | 0.17 | 4.1 | 4300 | 55 | 0.36 | 45 | 100 | 2 |
| PMD2408PTB3-A | (2).GN | ⊙ | 24 | 0.13 | 3.1 | 3900 | 49 | 0.30 | 42 | 100 | 3 |
| PMD4808PTB1-A | (2).GN | ⊙ | 48 | 0.13 | 6.2 | 4700 | 60 | 0.43 | 47 | 100 | 1 |
| PMD4808PTB2-A | (2).GN | ⊙ | 48 | 0.11 | 5.3 | 4300 | 55 | 0.36 | 45 | 100 | 2 |
| PMD4808PTB3-A | (2).GN | ⊙ | 48 | 0.09 | 4.3 | 3900 | 49 | 0.30 | 42 | 100 | 3 |



*All model could be customized. Please contact with Sunon Sales.

*Specifications subject to change without notice. Please Visit SUNON web site at <http://www.sunon.com> for update information.

80x80x25 mm



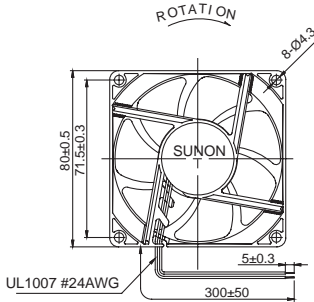
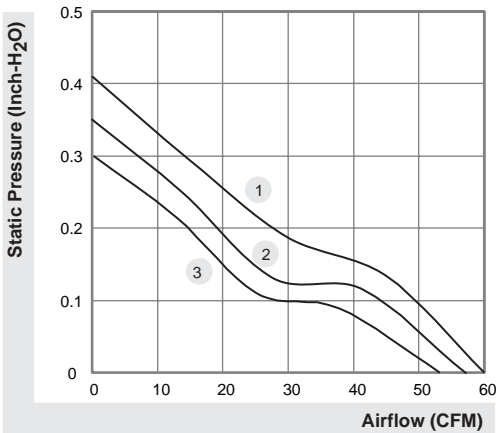
53~60 CFM



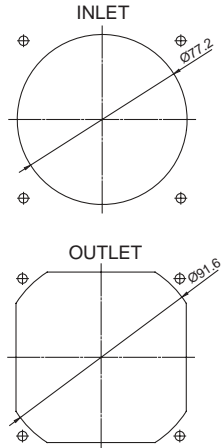
| | Bearing | Rating Voltage (VDC) | Power Current (AMP) | Power Consumption (WATTS) | Speed (RPM) | Air Flow (CFM) | Static Pressure (Inch-H ₂ O) | Noise (dBA) | Weight (g) | Curve |
|--------------------|---------|----------------------|---------------------|---------------------------|-------------|----------------|---|-------------|------------|-------|
| | ● VAPO | | | | | | | | | |
| PF80251V1-0000-A99 | ● | 12 | 0.341 | 4.1 | 4800 | 60 | 0.41 | 46.5 | 91 | 1 |
| PF80251V2-0000-A99 | ● | 12 | 0.285 | 3.4 | 4500 | 57 | 0.35 | 45.0 | 91 | 2 |
| PF80251V3-0000-A99 | ● | 12 | 0.223 | 2.7 | 4200 | 53 | 0.30 | 43.5 | 91 | 3 |

| Model | 2BALL Sleeve | (VDC) | (AMP) | (WATTS) | (RPM) | (CFM) | (Inch-H ₂ O) | (dBA) | (g) | Curve |
|--------------------|--------------|-------|-------|---------|-------|-------|-------------------------|-------|-----|-------|
| PF80251B1-0000-A99 | ⊙ | 12 | 0.341 | 4.1 | 4800 | 60 | 0.41 | 47.5 | 91 | 1 |
| PF80251B2-0000-A99 | ⊙ | 12 | 0.285 | 3.4 | 4500 | 57 | 0.35 | 46.0 | 91 | 2 |
| PF80251B3-0000-A99 | ⊙ | 12 | 0.223 | 2.7 | 4200 | 53 | 0.30 | 44.5 | 91 | 3 |

* PWM available.



(Units : mm)



*All model could be customized. Please contact with Sunon Sales.

*Specifications are subject to change without notice. Please Visit SUNON web site at <http://www.sunon.com> for update information.

80x80x25 mm

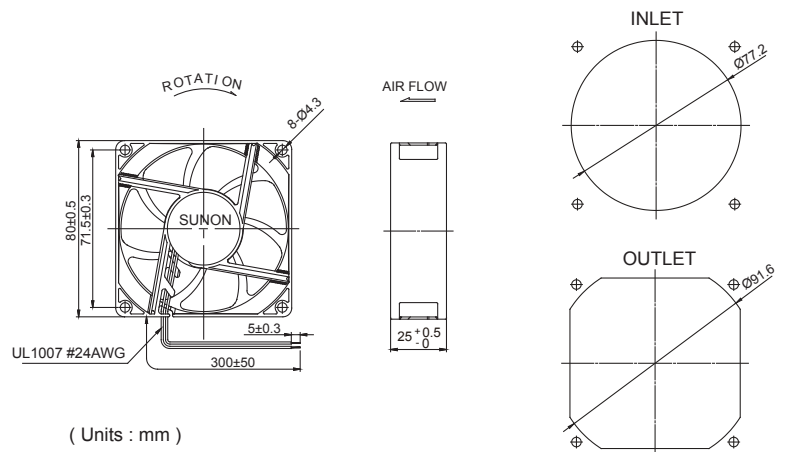
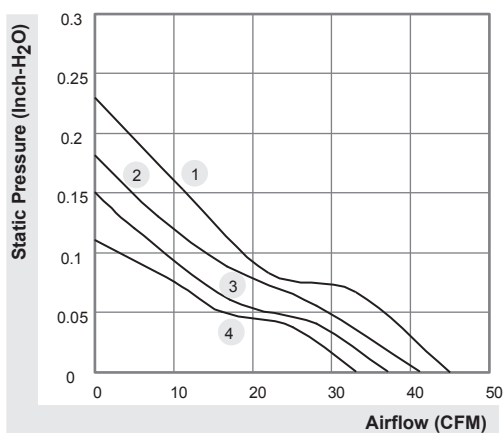


33~45 CFM



| | Bearing | Rating Voltage (VDC) | Power Current (AMP) | Power Consumption (WATTS) | Speed (RPM) | Air Flow (CFM) | Static Pressure (Inch-H ₂ O) | Noise (dBA) | Weight (g) | Curve |
|--------------------|---------|----------------------|---------------------|---------------------------|-------------|----------------|---|-------------|------------|-------|
| | ● VAPO | | | | | | | | | |
| ME80251VX-0000-A99 | ● | 12 | 0.160 | 1.9 | 3600 | 45 | 0.23 | 37.0 | 89 | 1 |
| ME80251V1-0000-A99 | ● | 12 | 0.145 | 1.7 | 3200 | 41 | 0.18 | 33.0 | 77 | 2 |
| ME80251V2-0000-A99 | ● | 12 | 0.120 | 1.4 | 2900 | 37 | 0.15 | 30.0 | 75 | 3 |
| ME80251V3-0000-A99 | ● | 12 | 0.081 | 1.1 | 2600 | 33 | 0.11 | 28.0 | 75 | 4 |
| ME80252VX-0000-A99 | ● | 24 | 0.090 | 2.2 | 3600 | 45 | 0.23 | 37.0 | 89 | 1 |
| ME80252V1-0000-A99 | ● | 24 | 0.073 | 1.8 | 3200 | 41 | 0.18 | 33.0 | 75 | 2 |
| ME80252V2-0000-A99 | ● | 24 | 0.059 | 1.4 | 2900 | 37 | 0.15 | 30.0 | 75 | 3 |
| ME80252V3-0000-A99 | ● | 24 | 0.049 | 1.2 | 2600 | 33 | 0.11 | 28.0 | 75 | 4 |

| Model | | (VDC) | (AMP) | (WATTS) | (RPM) | (CFM) | (Inch-H ₂ O) | (dBA) | (g) | Curve |
|--------------------|---|-------|-------|---------|-------|-------|-------------------------|-------|-----|-------|
| EE80251BX-0000-A99 | ⊕ | 12 | 0.150 | 1.80 | 3600 | 45 | 0.23 | 38.0 | 89 | 1 |
| EE80251B1-0000-A99 | ⊕ | 12 | 0.145 | 1.74 | 3200 | 41 | 0.18 | 33.0 | 75 | 2 |
| EE80251B2-0000-999 | ⊕ | 12 | 0.120 | 1.40 | 2900 | 37 | 0.15 | 30.0 | 75 | 3 |
| EE80251B3-0000-999 | ⊕ | 12 | 0.090 | 1.10 | 2600 | 33 | 0.11 | 28.0 | 74 | 4 |
| EE80252BX-0000-A99 | ⊕ | 24 | 0.080 | 1.92 | 3600 | 45 | 0.23 | 38.0 | 89 | 1 |
| EE80252B1-0000-A99 | ⊕ | 24 | 0.073 | 1.80 | 3200 | 41 | 0.18 | 33.0 | 75 | 2 |
| EE80252B2-0000-999 | ⊕ | 24 | 0.064 | 1.50 | 2900 | 37 | 0.15 | 30.0 | 75 | 3 |
| EE80252B3-0000-999 | ⊕ | 24 | 0.050 | 1.20 | 2600 | 33 | 0.11 | 28.0 | 75 | 4 |
| EE80251S1-0000-A99 | ○ | 12 | 0.145 | 1.70 | 3200 | 41 | 0.18 | 33.0 | 75 | 2 |
| EE80251S2-0000-999 | ○ | 12 | 0.120 | 1.40 | 2900 | 37 | 0.15 | 30.0 | 75 | 3 |
| EE80251S3-0000-999 | ○ | 12 | 0.090 | 1.10 | 2600 | 33 | 0.11 | 28.0 | 75 | 4 |
| EE80252S1-0000-A99 | ○ | 24 | 0.073 | 1.80 | 3200 | 41 | 0.18 | 33.0 | 75 | 2 |
| EE80252S2-0000-999 | ○ | 24 | 0.064 | 1.50 | 2900 | 37 | 0.15 | 30.0 | 75 | 3 |
| EE80252S3-0000-999 | ○ | 24 | 0.052 | 1.30 | 2600 | 33 | 0.11 | 28.0 | 75 | 4 |



*All model could be customized. Please contact with Sunon Sales.

*Specifications are subject to change without notice. Please Visit SUNON web site at <http://www.sunon.com> for update information.

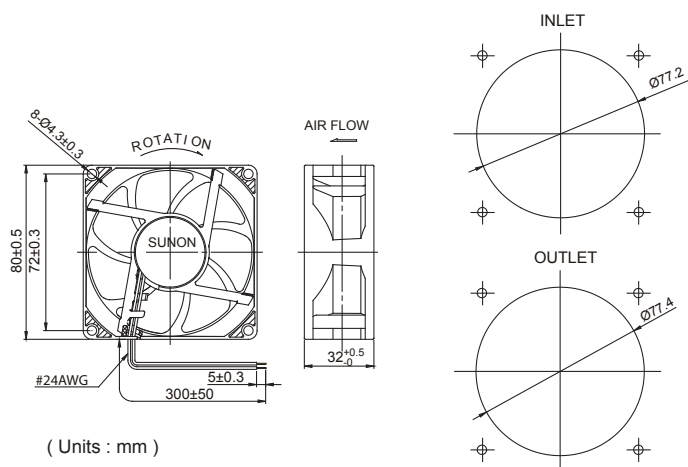
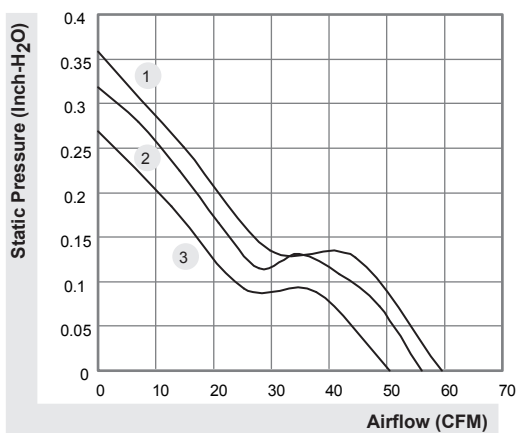
80x80x32 mm

50.3~59.4 CFM



| Model | P/N | Bearing ● 2BALL ○ Sleeve | Rating Voltage (VDC) | Power Current (AMP) | Power Consumption (WATTS) | Speed (RPM) | Air Flow (CFM) | Static Pressure (Inch-H ₂ O) | Noise (dBA) | Weight (g) | Curve |
|--------------------|-----|--------------------------------|----------------------|---------------------|---------------------------|-------------|----------------|---|-------------|------------|-------|
| PF80321B1-0000-A99 | | ● | 12 | 0.31 | 3.7 | 4800 | 59.4 | 0.36 | 45.2 | | 1 |
| PF80321B2-0000-A99 | | ● | 12 | 0.23 | 2.8 | 4500 | 55.9 | 0.32 | 43.1 | | 2 |
| PF80321B3-0000-A99 | | ● | 12 | 0.20 | 2.4 | 4100 | 50.3 | 0.27 | 41.1 | | 3 |

* PWM available.



*All model could be customized. Please contact with Sunon Sales.

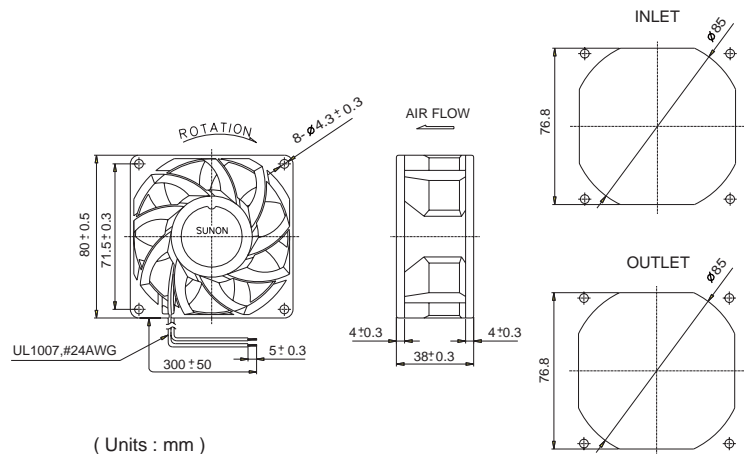
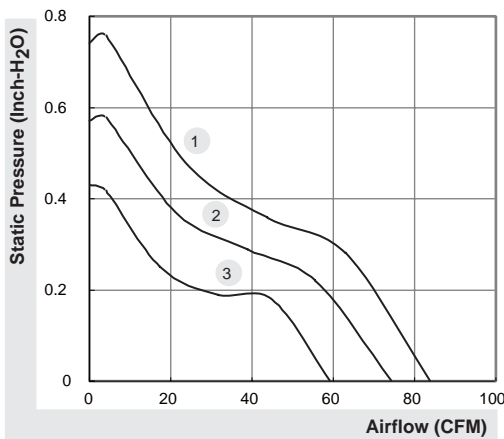
*Specifications subject to change without notice. Please Visit SUNON web site at <http://www.sunon.com> for update information.

80x80x38 mm

59.5~84.1 CFM



| Model | P/N | Bearing ● 2BALL ○ Sleeve | Rating Voltage (VDC) | Power Current (AMP) | Power Consumption (WATTS) | Speed (RPM) | Air Flow (CFM) | Static Pressure (Inch-H ₂ O) | Noise (dBA) | Weight (g) | Curve |
|---------------|--------|--------------------------------|-------------------------|------------------------|------------------------------|----------------|-------------------|--|----------------|---------------|-------|
| PMD1208PMB1-A | (2).GN | ● | 12 | 0.76 | 9.1 | 5700 | 84.1 | 0.74 | 55.2 | 175 | 1 |
| PMD1208PMB2-A | (2).GN | ● | 12 | 0.53 | 6.4 | 4900 | 74.5 | 0.57 | 51.6 | 175 | 2 |
| PMD1208PMB3-A | (2).GN | ● | 12 | 0.37 | 4.4 | 4200 | 59.5 | 0.43 | 47.3 | 175 | 3 |
| PMD2408PMB1-A | (2).GN | ● | 24 | 0.40 | 9.6 | 5700 | 84.1 | 0.74 | 55.2 | 175 | 1 |
| PMD2408PMB2-A | (2).GN | ● | 24 | 0.30 | 7.2 | 4900 | 74.5 | 0.57 | 51.6 | 175 | 2 |
| PMD2408PMB3-A | (2).GN | ● | 24 | 0.20 | 4.8 | 4200 | 59.5 | 0.43 | 47.3 | 175 | 3 |
| PMD4808PMB1-A | (2).GN | ● | 48 | 0.19 | 9.1 | 5700 | 84.1 | 0.74 | 55.2 | 175 | 1 |
| PMD4808PMB2-A | (2).GN | ● | 48 | 0.14 | 6.7 | 4900 | 74.5 | 0.57 | 51.6 | 175 | 2 |
| PMD4808PMB3-A | (2).GN | ● | 48 | 0.10 | 4.8 | 4200 | 59.5 | 0.43 | 47.3 | 175 | 3 |



*All model could be customized. Please contact with Sunon Sales.

*Specifications subject to change without notice. Please Visit SUNON web site at <http://www.sunon.com> for update information.

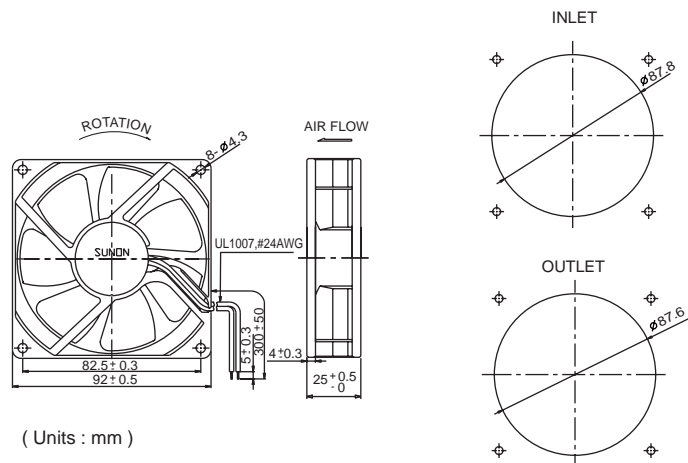
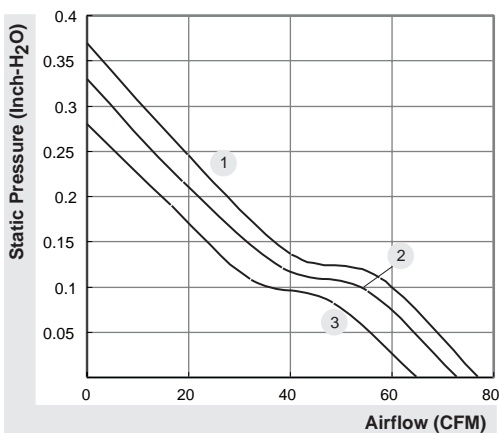
92x92x25 mm

65~77 CFM



| MAGLev by SUNON | P/N | Bearing | Rating Voltage (VDC) | Power Current (AMP) | Power Consumption (WATTS) | Speed (RPM) | Air Flow (CFM) | Static Pressure (Inch-H ₂ O) | Noise (dBA) | Weight (g) | Curve |
|--------------------|-----|---------|----------------------|---------------------|---------------------------|-------------|----------------|---|-------------|------------|-------|
| | | | | | | | | | | | |
| PMD1209PTV1-A | GN | ● | 12 | 0.47 | 5.6 | 4200 | 77 | 0.37 | 47 | 120 | 1 |
| PMD1209PTV2-A | GN | ● | 12 | 0.40 | 4.8 | 3900 | 73 | 0.33 | 44 | 120 | 2 |
| PMD1209PTV3-A | GN | ● | 12 | 0.31 | 3.7 | 3600 | 65 | 0.28 | 42 | 120 | 3 |
| PMD2409PTV1-A | GN | ● | 24 | 0.25 | 6.0 | 4200 | 77 | 0.37 | 47 | 120 | 1 |
| PMD2409PTV2-A | GN | ● | 24 | 0.20 | 4.8 | 3900 | 73 | 0.33 | 44 | 120 | 2 |
| PMD2409PTV3-A | GN | ● | 24 | 0.16 | 3.8 | 3600 | 65 | 0.28 | 42 | 120 | 3 |
| PMD4809PTV1-A | GN | ● | 48 | 0.15 | 7.2 | 4200 | 77 | 0.37 | 47 | 120 | 1 |
| PMD4809PTV2-A | GN | ● | 48 | 0.12 | 5.8 | 3900 | 73 | 0.33 | 44 | 120 | 2 |
| PMD4809PTV3-A | GN | ● | 48 | 0.09 | 4.3 | 3600 | 65 | 0.28 | 42 | 120 | 3 |

| Model | P/N | 2BALL Sleeve | (VDC) | (AMP) | (WATTS) | (RPM) | (CFM) | (Inch-H ₂ O) | (dBA) | (g) | Curve |
|---------------|--------|--------------|-------|-------|---------|-------|-------|-------------------------|-------|-----|-------|
| | | | | | | | | | | | |
| PMD1209PTB1-A | (2).GN | ○ | 12 | 0.46 | 5.5 | 4200 | 77 | 0.37 | 48 | 120 | 1 |
| PMD1209PTB2-A | (2).GN | ○ | 12 | 0.38 | 4.6 | 3900 | 73 | 0.33 | 45 | 120 | 2 |
| PMD1209PTB3-A | (2).GN | ○ | 12 | 0.30 | 3.6 | 3600 | 65 | 0.28 | 43 | 120 | 3 |
| PMD2409PTB1-A | (2).GN | ○ | 24 | 0.24 | 5.8 | 4200 | 77 | 0.37 | 48 | 120 | 1 |
| PMD2409PTB2-A | (2).GN | ○ | 24 | 0.19 | 4.6 | 3900 | 73 | 0.33 | 45 | 120 | 2 |
| PMD2409PTB3-A | (2).GN | ○ | 24 | 0.15 | 3.6 | 3600 | 65 | 0.28 | 43 | 120 | 3 |
| PMD4809PTB1-A | (2).GN | ○ | 48 | 0.14 | 6.7 | 4200 | 77 | 0.37 | 48 | 120 | 1 |
| PMD4809PTB2-A | (2).GN | ○ | 48 | 0.12 | 5.8 | 3900 | 73 | 0.33 | 45 | 120 | 2 |
| PMD4809PTB3-A | (2).GN | ○ | 48 | 0.09 | 4.3 | 3600 | 65 | 0.28 | 43 | 120 | 3 |




*All model could be customized. Please contact with Sunon Sales.



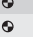
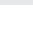
*Specifications subject to change without notice. Please Visit SUNON web site at <http://www.sunon.com> for update information.

92x92x25 mm

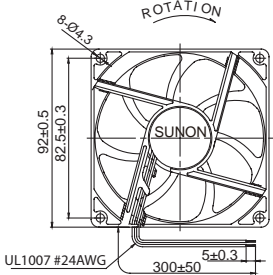
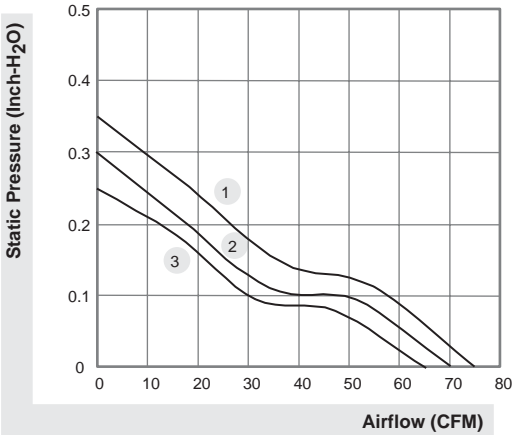
65~75 CFM



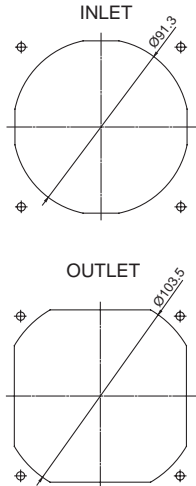
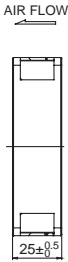
|  | Bearing | Rating Voltage (VDC) | Power Current (AMP) | Power Consumption (WATTS) | Speed (RPM) | Air Flow (CFM) | Static Pressure (Inch-H ₂ O) | Noise (dBA) | Weight (g) | Curve |
|---|---------|----------------------|---------------------|---------------------------|-------------|----------------|---|-------------|------------|-------|
| | ● VAPO | | | | | | | | | |
| PF92251V1-0000-A99 | ● | 12 | 0.393 | 4.7 | 4500 | 75 | 0.35 | 46 | 103 | 1 |
| PF92251V2-0000-A99 | ● | 12 | 0.325 | 3.9 | 4200 | 70 | 0.30 | 44 | 103 | 2 |
| PF92251V3-0000-A99 | ● | 12 | 0.26 | 3.1 | 3900 | 65 | 0.25 | 42 | 103 | 3 |

| Model |  | (VDC) | (AMP) | (WATTS) | (RPM) | (CFM) | (Inch-H ₂ O) | (dBA) | (g) | Curve |
|--------------------|---|-------|-------|---------|-------|-------|-------------------------|-------|-----|-------|
| PF92251B1-0000-A99 |  | 12 | 0.393 | 4.7 | 4500 | 75 | 0.35 | 47 | 98 | 1 |
| PF92251B2-0000-A99 |  | 12 | 0.325 | 3.9 | 4200 | 70 | 0.30 | 45 | 98 | 2 |
| PF92251B3-0000-A99 |  | 12 | 0.26 | 3.1 | 3900 | 65 | 0.25 | 43 | 98 | 3 |

* PWM available.



(Units : mm)




*All model could be customized. Please contact with Sunon Sales.


*Specifications are subject to change without notice. Please Visit SUNON web site at <http://www.sunon.com> for update information.

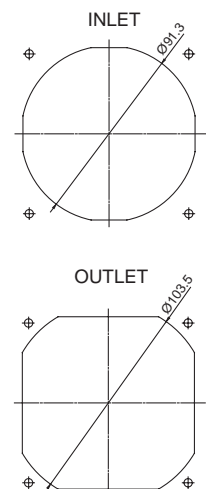
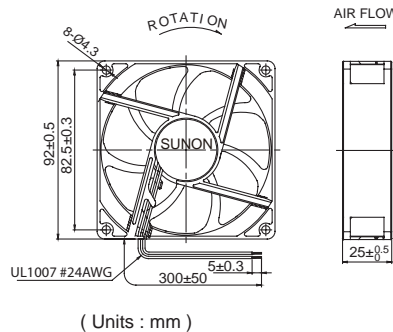
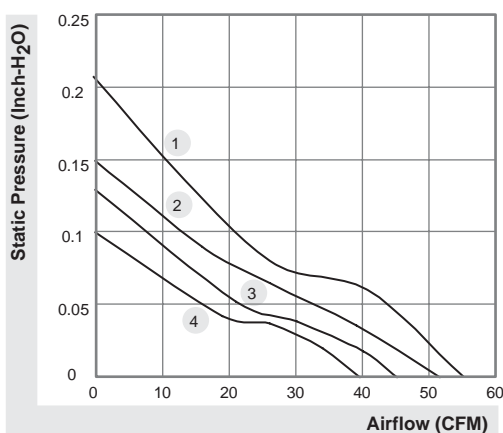
92x92x25 mm

39.5~55 CFM



|  | Bearing | Rating Voltage (VDC) | Power Current (AMP) | Power Consumption (WATTS) | Speed (RPM) | Air Flow (CFM) | Static Pressure (Inch-H ₂ O) | Noise (dBA) | Weight (g) | Curve |
|---|---------|----------------------|---------------------|---------------------------|-------------|----------------|---|-------------|------------|-------|
| | ● VAPO | | | | | | | | | |
| ME92251VX-0000-A99 | ● | 12 | 0.190 | 2.28 | 3400 | 55.0 | 0.21 | 37.5 | 103.0 | 1 |
| ME92251V1-0000-A99 | ● | 12 | 0.165 | 2.00 | 3000 | 51.5 | 0.15 | 34.0 | 96.0 | 2 |
| ME92251V2-0000-A99 | ● | 12 | 0.135 | 1.60 | 2700 | 45.0 | 0.13 | 32.0 | 94.0 | 3 |
| ME92251V3-0000-A99 | ● | 12 | 0.091 | 1.30 | 2400 | 39.5 | 0.10 | 28.0 | 94.0 | 4 |
| ME92252VX-0000-A99 | ● | 24 | 0.100 | 2.40 | 3400 | 55.0 | 0.21 | 37.5 | 103.0 | 1 |
| ME92252V1-0000-A99 | ● | 24 | 0.087 | 2.10 | 3000 | 51.5 | 0.15 | 34.0 | 94.0 | 2 |
| ME92252V2-0000-A99 | ● | 24 | 0.068 | 1.60 | 2700 | 45.0 | 0.13 | 32.0 | 94.0 | 3 |
| ME92252V3-0000-A99 | ● | 24 | 0.056 | 1.30 | 2400 | 39.5 | 0.10 | 28.0 | 94.0 | 4 |

| Model |  | (VDC) | (AMP) | (WATTS) | (RPM) | (CFM) | (Inch-H ₂ O) | (dBA) | (g) | Curve |
|--------------------|--|-------|-------|---------|-------|-------|-------------------------|-------|------|-------|
| EE92251BX-0000-A99 | ⊕ | 12 | 0.190 | 2.28 | 3400 | 55.0 | 0.21 | 37.5 | 89.0 | 1 |
| EE92251B1-0000-A99 | ⊕ | 12 | 0.165 | 1.98 | 3000 | 51.5 | 0.15 | 34.0 | 96.0 | 2 |
| EE92251B2-0000-999 | ⊕ | 12 | 0.135 | 1.60 | 2700 | 45.0 | 0.13 | 32.0 | 94.0 | 3 |
| EE92251B3-0000-999 | ⊕ | 12 | 0.105 | 1.30 | 2400 | 39.5 | 0.10 | 28.0 | 94.0 | 4 |
| EE92252BX-0000-A99 | ⊕ | 24 | 0.100 | 2.40 | 3400 | 55.0 | 0.21 | 37.5 | 97.4 | 1 |
| EE92252B1-0000-A99 | ⊕ | 24 | 0.087 | 2.10 | 3000 | 51.5 | 0.15 | 34.0 | 96.0 | 2 |
| EE92252B2-0000-999 | ⊕ | 24 | 0.070 | 1.70 | 2700 | 45.0 | 0.13 | 32.0 | 94.0 | 3 |
| EE92252B3-0000-999 | ⊕ | 24 | 0.057 | 1.40 | 2400 | 39.5 | 0.10 | 28.0 | 94.0 | 4 |
| EE92251S1-0000-A99 | ○ | 12 | 0.165 | 2.00 | 3000 | 51.5 | 0.15 | 34.0 | 94.0 | 2 |
| EE92251S2-0000-999 | ○ | 12 | 0.135 | 1.60 | 2700 | 45.0 | 0.13 | 32.0 | 94.0 | 3 |
| EE92251S3-0000-999 | ○ | 12 | 0.105 | 1.30 | 2400 | 39.5 | 0.10 | 28.0 | 94.0 | 4 |
| EE92252S1-0000-A99 | ○ | 24 | 0.087 | 2.10 | 3000 | 51.5 | 0.15 | 34.0 | 94.0 | 2 |
| EE92252S2-0000-999 | ○ | 24 | 0.072 | 1.70 | 2700 | 45.0 | 0.13 | 32.0 | 94.0 | 3 |
| EE92252S3-0000-999 | ○ | 24 | 0.060 | 1.40 | 2400 | 39.5 | 0.10 | 28.0 | 94.0 | 4 |



*All model could be customized. Please contact with Sunon Sales.

*Specifications are subject to change without notice. Please Visit SUNON web site at <http://www.sunon.com> for update information.

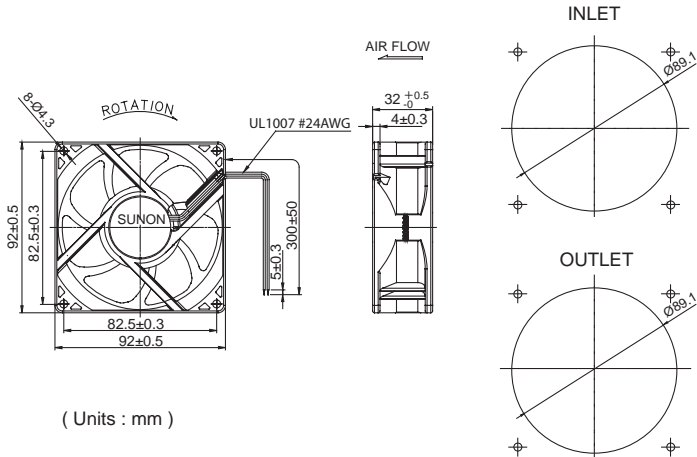
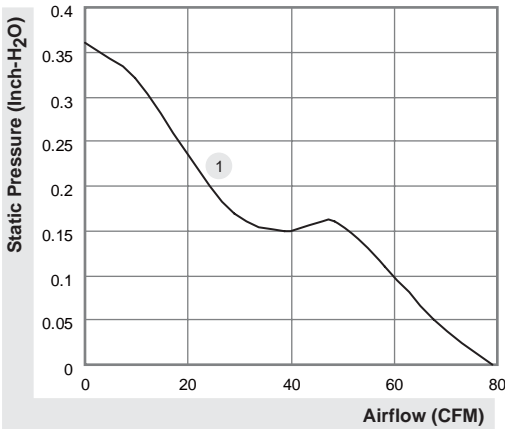
92x92x32 mm



79 CFM



| | P/N | Bearing | Rating Voltage (VDC) | Power Current (AMP) | Power Consumption (WATTS) | Speed (RPM) | Air Flow (CFM) | Static Pressure (Inch-H ₂ O) | Noise (dBA) | Weight (g) | Curve |
|---------------|------------|---------|----------------------|---------------------|---------------------------|-------------|----------------|---|-------------|------------|-------|
| | | | | | | | | | | | |
| PSD1209PLV2-A | Z.GN | ● | 12 | 0.35 | 4.2 | 4000 | 79 | 0.36 | 42.1 | 186 | 1 |
| PSD1209PLV2-A | Z.F.PWM.GN | ● | 12 | 0.35 | 4.2 | 4000 | 79 | 0.36 | 42.1 | 186 | 1 |



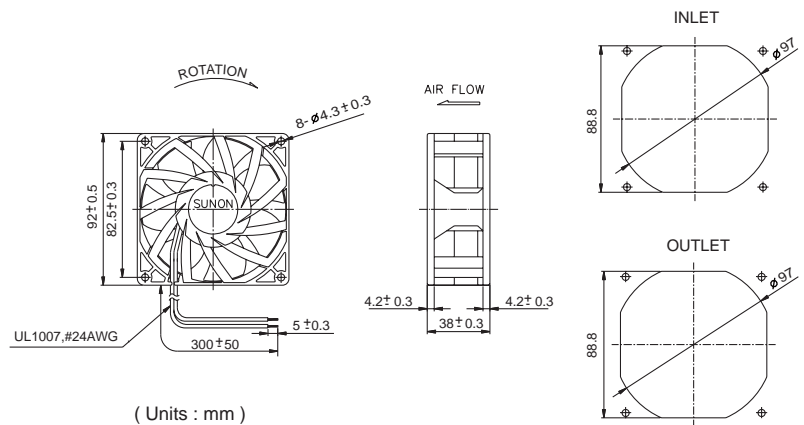
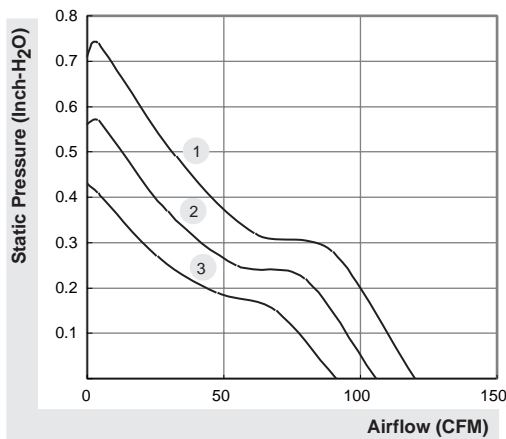
*All model could be customized. Please contact with Sunon Sales.
 *Specifications are subject to change without notice. Please Visit SUNON web site at <http://www.sunon.com> for update information.

92x92x38 mm

91.7~120.2 CFM



| Model | P/N | Bearing ● 2BALL ○ Sleeve | Rating Voltage (VDC) | Power Current (AMP) | Power Consumption (WATTS) | Speed (RPM) | Air Flow (CFM) | Static Pressure (Inch-H ₂ O) | Noise (dBA) | Weight (g) | Curve |
|---------------|--------|--------------------------------|----------------------|---------------------|---------------------------|-------------|----------------|---|-------------|------------|-------|
| PMD1209PMB1-A | (2).GN | ● | 12 | 1.04 | 12.5 | 4900 | 120.2 | 0.71 | 57.6 | 190 | 1 |
| PMD1209PMB2-A | (2).GN | ● | 12 | 0.71 | 8.5 | 4400 | 106.3 | 0.56 | 53.8 | 190 | 2 |
| PMD1209PMB3-A | (2).GN | ● | 12 | 0.47 | 5.6 | 3800 | 91.7 | 0.43 | 50.3 | 190 | 3 |
| PMD2409PMB1-A | (2).GN | ● | 24 | 0.51 | 12.2 | 4900 | 120.2 | 0.71 | 57.6 | 190 | 1 |
| PMD2409PMB2-A | (2).GN | ● | 24 | 0.40 | 9.6 | 4400 | 106.3 | 0.56 | 53.8 | 190 | 2 |
| PMD2409PMB3-A | (2).GN | ● | 24 | 0.25 | 6.0 | 3800 | 91.7 | 0.43 | 50.3 | 190 | 3 |
| PMD4809PMB1-A | (2).GN | ● | 48 | 0.24 | 11.5 | 4900 | 120.2 | 0.71 | 57.6 | 190 | 1 |
| PMD4809PMB2-A | (2).GN | ● | 48 | 0.16 | 7.7 | 4400 | 106.3 | 0.56 | 53.8 | 190 | 2 |
| PMD4809PMB3-A | (2).GN | ● | 48 | 0.12 | 5.8 | 3800 | 91.7 | 0.43 | 50.3 | 190 | 3 |



*All model could be customized. Please contact with Sunon Sales.

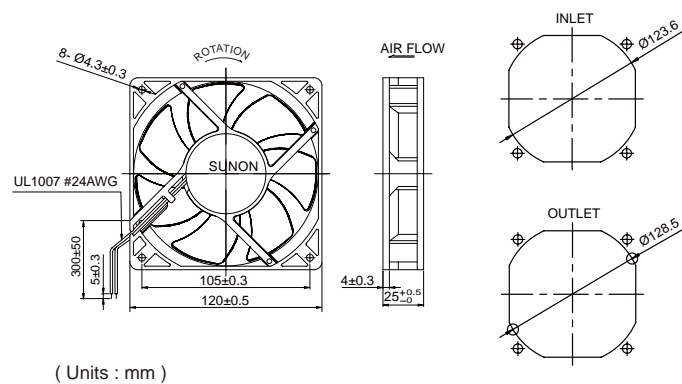
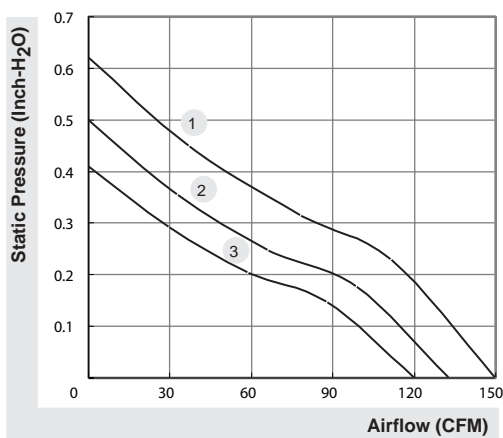
*Specifications subject to change without notice. Please Visit SUNON web site at <http://www.sunon.com> for update information.

120x120x25 mm

120~150 CFM



| Model | P/N | Bearing ● 2BALL ○ Sleeve | Rating Voltage (VDC) | Power Current (AMP) | Power Consumption (WATTS) | Speed (RPM) | Air Flow (CFM) | Static Pressure (Inch-H ₂ O) | Noise (dBA) | Weight (g) | Curve |
|---------------|--------|--------------------------------|----------------------|---------------------|---------------------------|-------------|----------------|---|-------------|------------|-------|
| PMD1212PTB1-A | (2).GN | ● | 12 | 1.0 | 12.0 | 4500 | 150 | 0.62 | 54 | 220 | 1 |
| PMD1212PTB2-A | (2).GN | ● | 12 | 0.72 | 8.6 | 4000 | 133 | 0.50 | 51 | 220 | 2 |
| PMD1212PTB3-A | (2).GN | ● | 12 | 0.54 | 6.5 | 3600 | 120 | 0.41 | 48 | 220 | 3 |
| PMD2412PTB1-A | (2).GN | ● | 24 | 0.49 | 11.8 | 4500 | 150 | 0.62 | 54 | 220 | 1 |
| PMD2412PTB2-A | (2).GN | ● | 24 | 0.36 | 8.6 | 4000 | 133 | 0.50 | 51 | 220 | 2 |
| PMD2412PTB3-A | (2).GN | ● | 24 | 0.28 | 6.7 | 3600 | 120 | 0.41 | 48 | 220 | 3 |
| PMD4812PTB1-A | (2).GN | ● | 48 | 0.26 | 12.5 | 4500 | 150 | 0.62 | 54 | 220 | 1 |
| PMD4812PTB2-A | (2).GN | ● | 48 | 0.19 | 9.1 | 4000 | 133 | 0.50 | 51 | 220 | 2 |
| PMD4812PTB3-A | (2).GN | ● | 48 | 0.14 | 6.7 | 3600 | 120 | 0.41 | 48 | 220 | 3 |



*All model could be customized. Please contact with Sunon Sales.

*Specifications subject to change without notice. Please Visit SUNON web site at <http://www.sunon.com> for update information.

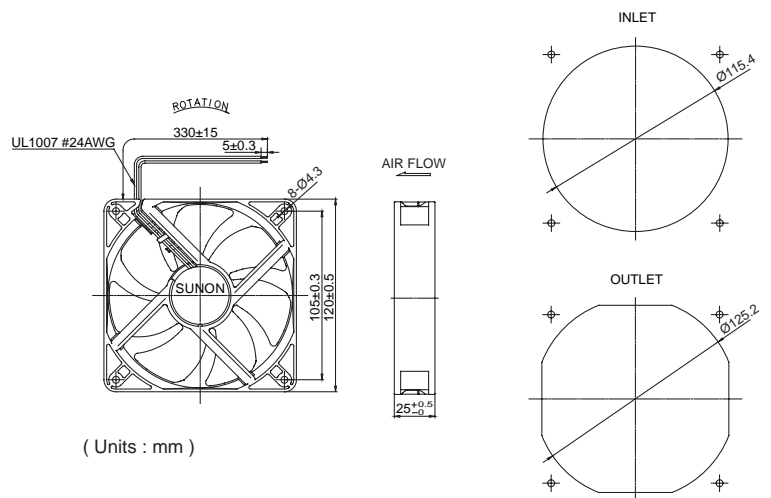
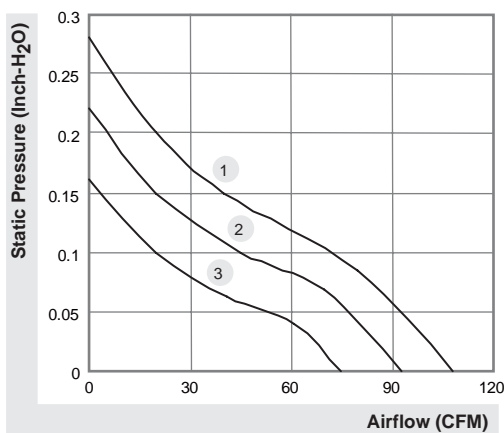
120x120x25 mm

75~108.2 CFM



| | Bearing | Rating Voltage (VDC) | Power Current (AMP) | Power Consumption (WATTS) | Speed (RPM) | Air Flow (CFM) | Static Pressure (Inch-H ₂ O) | Noise (dBA) | Weight (g) | Curve |
|--------------------|---------|----------------------|---------------------|---------------------------|-------------|----------------|---|-------------|------------|-------|
| | ● VAPO | | | | | | | | | |
| MEC0251V1-0000-A99 | ● | 12 | 0.451 | 5.4 | 3100 | 108.2 | 0.28 | 44.5 | 162 | 1 |
| MEC0251V2-0000-A99 | ● | 12 | 0.279 | 3.4 | 2700 | 93.0 | 0.22 | 40.5 | 162 | 2 |
| MEC0251V3-0000-A99 | ● | 12 | 0.161 | 1.9 | 2200 | 75.0 | 0.16 | 34.0 | 162 | 3 |
| MEC0252V1-0000-A99 | ● | 24 | 0.207 | 5.0 | 3100 | 108.2 | 0.28 | 44.5 | 162 | 1 |
| MEC0252V2-0000-A99 | ● | 24 | 0.146 | 3.5 | 2700 | 93.0 | 0.22 | 40.5 | 162 | 2 |
| MEC0252V3-0000-A99 | ● | 24 | 0.084 | 2.0 | 2200 | 75.0 | 0.16 | 34.0 | 162 | 3 |
| MEC0254V1-0000-A99 | ● | 48 | 0.119 | 5.7 | 3100 | 108.2 | 0.28 | 44.5 | 162 | 1 |
| MEC0254V2-0000-A99 | ● | 48 | 0.079 | 3.8 | 2700 | 93.0 | 0.22 | 40.5 | 162 | 2 |
| MEC0254V3-0000-A99 | ● | 48 | 0.054 | 2.6 | 2200 | 75.0 | 0.16 | 34.0 | 162 | 3 |

| Model | | (VDC) | (AMP) | (WATTS) | (RPM) | (CFM) | (Inch-H ₂ O) | (dBA) | (g) | Curve |
|--------------------|---|-------|-------|---------|-------|-------|-------------------------|-------|-----|-------|
| EEC0251B1-0000-A99 | ⊙ | 12 | 0.451 | 5.4 | 3100 | 108.2 | 0.28 | 44.5 | 157 | 1 |
| EEC0251B2-0000-A99 | ⊙ | 12 | 0.279 | 3.4 | 2700 | 93.0 | 0.22 | 40.5 | 157 | 2 |
| EEC0251B3-0000-A99 | ⊙ | 12 | 0.161 | 1.9 | 2200 | 75.0 | 0.16 | 34.0 | 157 | 3 |
| EEC0252B1-0000-A99 | ⊙ | 24 | 0.207 | 5.0 | 3100 | 108.2 | 0.28 | 44.5 | 157 | 1 |
| EEC0252B2-0000-A99 | ⊙ | 24 | 0.146 | 3.5 | 2700 | 93.0 | 0.22 | 40.5 | 157 | 2 |
| EEC0252B3-0000-A99 | ⊙ | 24 | 0.084 | 2.0 | 2200 | 75.0 | 0.16 | 34.0 | 157 | 3 |
| EEC0254B1-0000-A99 | ⊙ | 48 | 0.119 | 5.7 | 3100 | 108.2 | 0.28 | 44.5 | 157 | 1 |
| EEC0254B2-0000-A99 | ⊙ | 48 | 0.079 | 3.8 | 2700 | 93.0 | 0.22 | 40.5 | 157 | 2 |
| EEC0254B3-0000-A99 | ⊙ | 48 | 0.054 | 2.6 | 2200 | 75.0 | 0.16 | 34.0 | 157 | 3 |



*All model could be customized. Please contact with Sunon Sales.

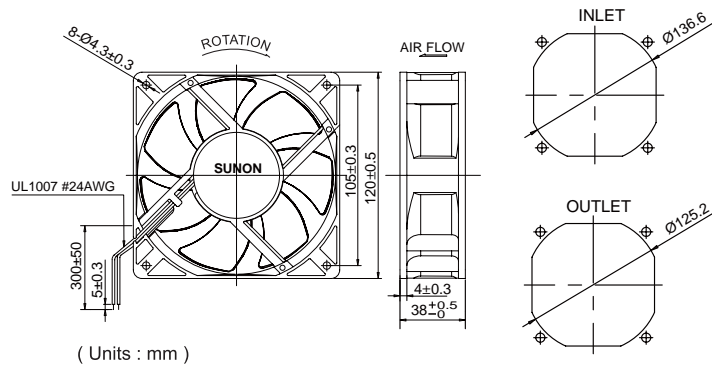
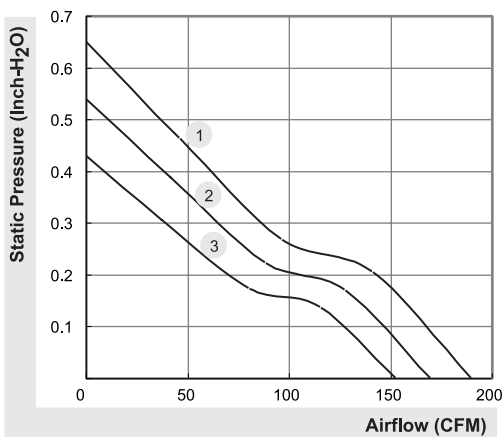
*Specifications are subject to change without notice. Please Visit SUNON web site at <http://www.sunon.com> for update information.

120x120x38 mm

153~190 CFM



| Model | P/N | Bearing ● 2BALL ○ Sleeve | Rating Voltage (VDC) | Power Current (AMP) | Power Consumption (WATTS) | Speed (RPM) | Air Flow (CFM) | Static Pressure (Inch-H ₂ O) | Noise (dBA) | Weight (g) | Curve |
|---------------|--------|--------------------------------|----------------------|---------------------|---------------------------|-------------|----------------|---|-------------|------------|-------|
| PMD1212PMB1-A | (2).GN | ● | 12 | 1.6 | 19.2 | 4200 | 190 | 0.65 | 54 | 330 | 1 |
| PMD1212PMB2-A | (2).GN | ● | 12 | 1.2 | 14.4 | 3800 | 170 | 0.54 | 51 | 330 | 2 |
| PMD1212PMB3-A | (2).GN | ● | 12 | 0.83 | 10.0 | 3400 | 153 | 0.43 | 48 | 330 | 3 |
| PMD2412PMB1-A | (2).GN | ● | 24 | 0.76 | 18.2 | 4200 | 190 | 0.65 | 54 | 330 | 1 |
| PMD2412PMB2-A | (2).GN | ● | 24 | 0.57 | 13.7 | 3800 | 170 | 0.54 | 51 | 330 | 2 |
| PMD2412PMB3-A | (2).GN | ● | 24 | 0.42 | 10.1 | 3400 | 153 | 0.43 | 48 | 330 | 3 |
| PMD4812PMB1-A | (2).GN | ● | 48 | 0.4 | 19.2 | 4200 | 190 | 0.65 | 54 | 330 | 1 |
| PMD4812PMB2-A | (2).GN | ● | 48 | 0.3 | 14.4 | 3800 | 170 | 0.54 | 51 | 330 | 2 |
| PMD4812PMB3-A | (2).GN | ● | 48 | 0.22 | 10.6 | 3400 | 153 | 0.43 | 48 | 330 | 3 |



*All model could be customized. Please contact with Sunon Sales.

*Specifications subject to change without notice. Please Visit SUNON web site at <http://www.sunon.com> for update information.

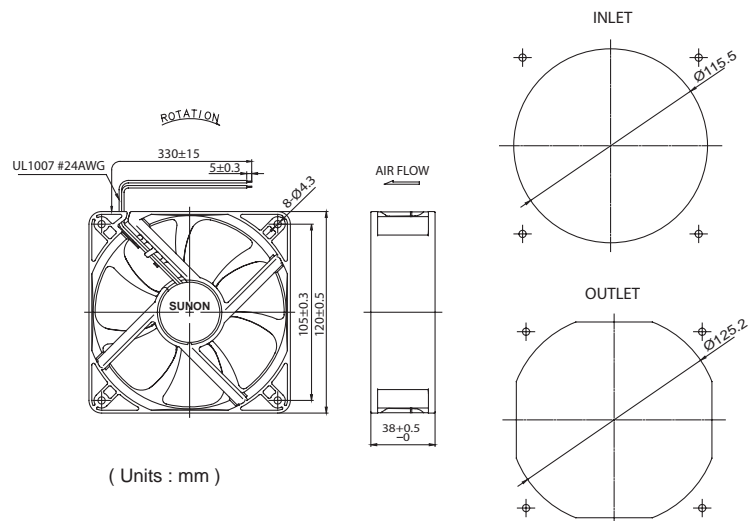
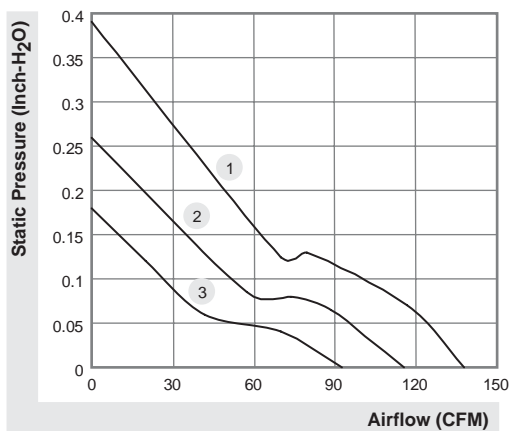
120x120x38 mm

93~138 CFM



| | Bearing | Rating Voltage (VDC) | Power Current (AMP) | Power Consumption (WATTS) | Speed (RPM) | Air Flow (CFM) | Static Pressure (Inch-H ₂ O) | Noise (dBA) | Weight (g) | Curve |
|--------------------|---------|----------------------|---------------------|---------------------------|-------------|----------------|---|-------------|------------|-------|
| | ● VAPO | | | | | | | | | |
| MEC0381V1-0000-A99 | ● | 12 | 0.833 | 10.0 | 3100 | 138 | 0.36 | 48 | 218 | 1 |
| MEC0381V2-0000-A99 | ● | 12 | 0.421 | 5.1 | 2600 | 116 | 0.26 | 44 | 218 | 2 |
| MEC0381V3-0000-A99 | ● | 12 | 0.241 | 2.9 | 2100 | 93 | 0.18 | 37 | 218 | 3 |
| MEC0382V1-0000-A99 | ● | 24 | 0.383 | 9.2 | 3100 | 138 | 0.36 | 48 | 218 | 1 |
| MEC0382V2-0000-A99 | ● | 24 | 0.224 | 5.4 | 2600 | 116 | 0.26 | 44 | 218 | 2 |
| MEC0382V3-0000-A99 | ● | 24 | 0.130 | 3.1 | 2100 | 93 | 0.18 | 37 | 218 | 3 |
| MEC0384V1-0000-A99 | ● | 48 | 0.203 | 9.7 | 3100 | 138 | 0.36 | 48 | 218 | 1 |
| MEC0384V2-0000-A99 | ● | 48 | 0.120 | 5.8 | 2600 | 116 | 0.26 | 44 | 218 | 2 |
| MEC0384V3-0000-A99 | ● | 48 | 0.068 | 3.3 | 2100 | 93 | 0.18 | 37 | 218 | 3 |

| Model | | (VDC) | (AMP) | (WATTS) | (RPM) | (CFM) | (Inch-H ₂ O) | (dBA) | (g) | Curve |
|--------------------|---|-------|-------|---------|-------|-------|-------------------------|-------|-----|-------|
| EEC0381B1-0000-A99 | ☉ | 12 | 0.833 | 10.0 | 3100 | 138 | 0.36 | 48 | 214 | 1 |
| EEC0381B2-0000-A99 | ☉ | 12 | 0.421 | 5.1 | 2600 | 116 | 0.26 | 44 | 214 | 2 |
| EEC0381B3-0000-A99 | ☉ | 12 | 0.241 | 2.9 | 2100 | 93 | 0.18 | 37 | 214 | 3 |
| EEC0382B1-0000-A99 | ☉ | 24 | 0.383 | 9.2 | 3100 | 138 | 0.36 | 48 | 214 | 1 |
| EEC0382B2-0000-A99 | ☉ | 24 | 0.224 | 5.4 | 2600 | 116 | 0.26 | 44 | 214 | 2 |
| EEC0382B3-0000-A99 | ☉ | 24 | 0.130 | 3.1 | 2100 | 93 | 0.18 | 37 | 214 | 3 |
| EEC0384B1-0000-A99 | ☉ | 48 | 0.203 | 9.7 | 3100 | 138 | 0.36 | 48 | 214 | 1 |
| EEC0384B2-0000-A99 | ☉ | 48 | 0.120 | 5.8 | 2600 | 116 | 0.26 | 44 | 214 | 2 |
| EEC0384B3-0000-A99 | ☉ | 48 | 0.069 | 3.3 | 2100 | 93 | 0.18 | 37 | 214 | 3 |



*All model could be customized. Please contact with Sunon Sales.

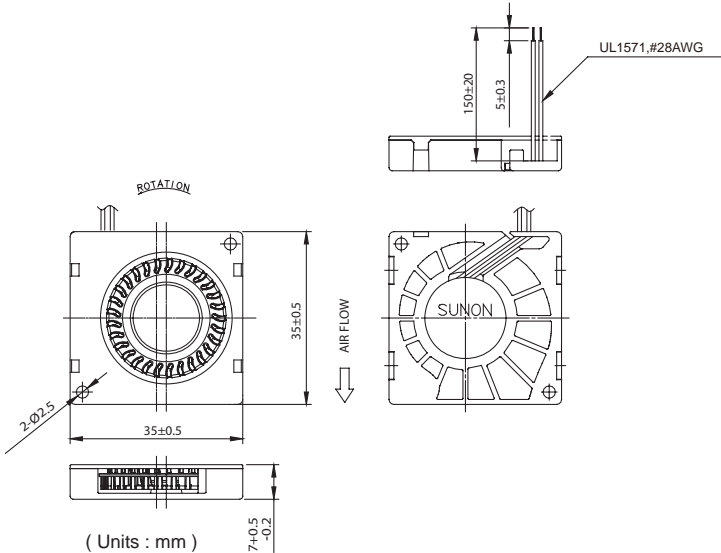
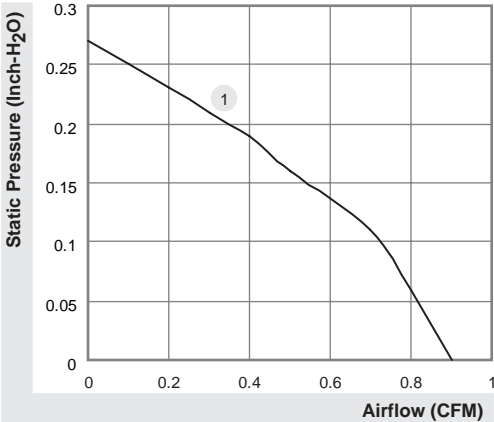
*Specifications are subject to change without notice. Please Visit SUNON web site at <http://www.sunon.com> for update information.

35x35x7 mm

0.9 CFM



| | P/N | Bearing | Rating Voltage (VDC) | Power Current (AMP) | Power Consumption (WATTS) | Speed (RPM) | Air Flow (CFM) | Static Pressure (Inch-H ₂ O) | Noise (dBA) | Weight (g) | Curve |
|--------------|--------|---------|----------------------|---------------------|---------------------------|-------------|----------------|---|-------------|------------|-------|
| | | | | | | | | | | | |
| GB1235PDV3-8 | Z.X.GN | ● VAPO | 12 | 0.065 | 0.8 | 6300 | 0.9 | 0.27 | 22.2 | 8 | 1 |



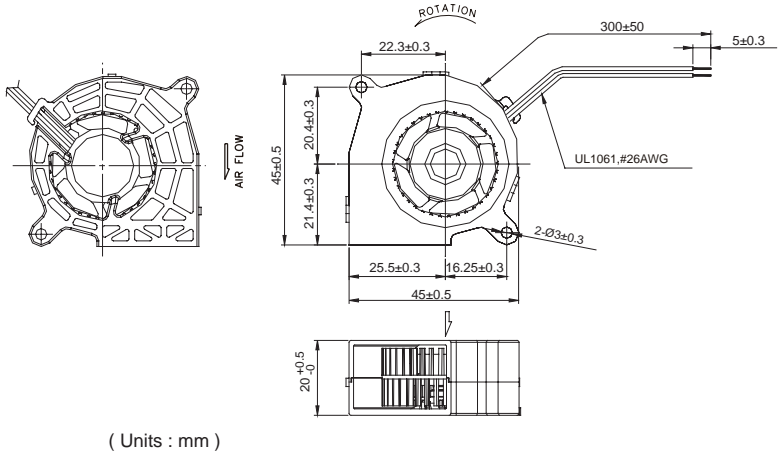
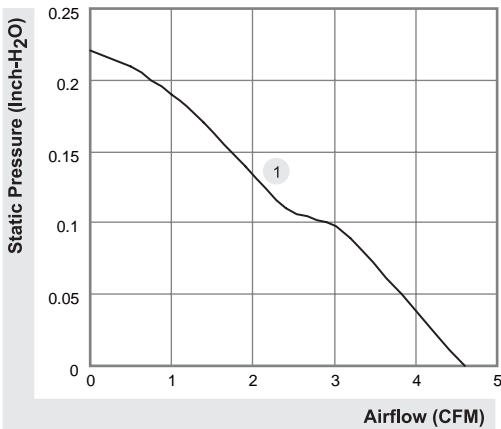
*All model could be customized. Please contact with Sunon Sales.
 *Specifications subject to change without notice. Please Visit SUNON web site at <http://www.sunon.com> for update information.

45x45x20 mm

4.6 CFM



| | P/N | Bearing | Rating Voltage (VDC) | Power Current (AMP) | Power Consumption (WATTS) | Speed (RPM) | Air Flow (CFM) | Static Pressure (Inch-H ₂ O) | Noise (dBA) | Weight (g) | Curve |
|--|-----|-------------|----------------------|---------------------|---------------------------|-------------|----------------|---|-------------|------------|-------|
| | | ● VAPO ● | 12 | 0.04 | 0.48 | 3500 | 4.6 | 0.22 | 21 | 22.64 | 1 |




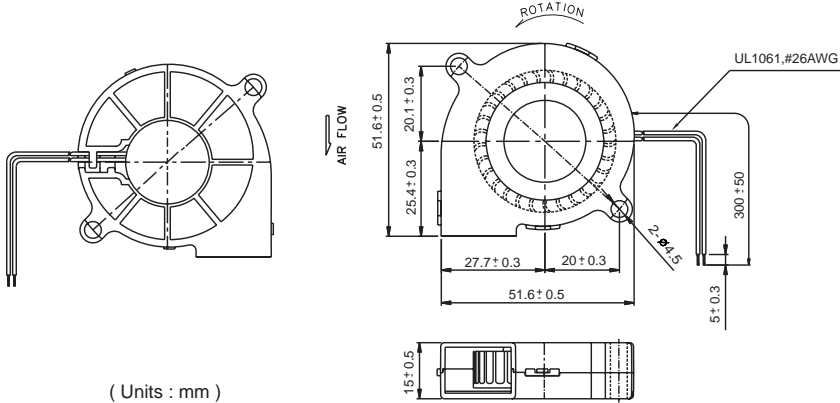
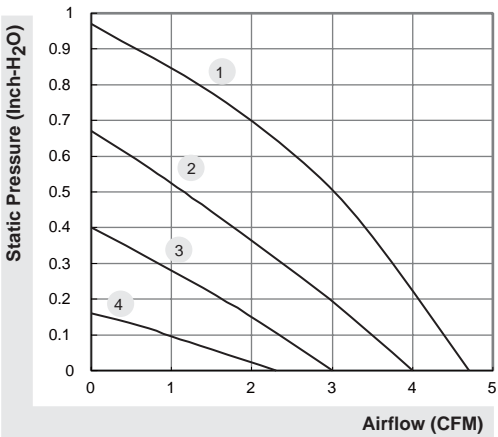
*All model could be customized. Please contact with Sunon Sales.
 *Specifications subject to change without notice. Please Visit SUNON web site at <http://www.sunon.com> for update information.

50x50x15 mm

2.3~4.7 CFM



|  | P/N | Bearing | Rating Voltage | Power Current | Power Consumption | Speed | Air Flow | Static Pressure | Noise | Weight | Curve |
|---|-----|---------|----------------|---------------|-------------------|-------|----------|-------------------------|-------|--------|-------|
| | | ● VAPO | (VDC) | (AMP) | (WATTS) | (RPM) | (CFM) | (Inch-H ₂ O) | (dBA) | (g) | |
| GB1205PHVX-8AY | GN | ● | 12 | 0.17 | 2.0 | 6000 | 4.7 | 0.97 | 42.2 | 30 | 1 |
| GB1205PHV1-8AY | GN | ● | 12 | 0.10 | 1.2 | 5000 | 4.0 | 0.67 | 39.8 | 30 | 2 |
| GB1205PHV2-8AY | GN | ● | 12 | 0.06 | 0.7 | 4000 | 3.0 | 0.40 | 33.4 | 30 | 3 |
| GB1205PHV3-8AY | GN | ● | 12 | 0.044 | 0.5 | 3000 | 2.3 | 0.16 | 27.0 | 30 | 4 |




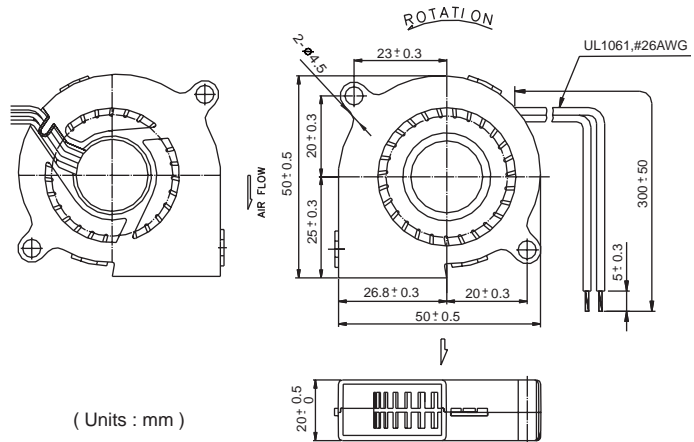
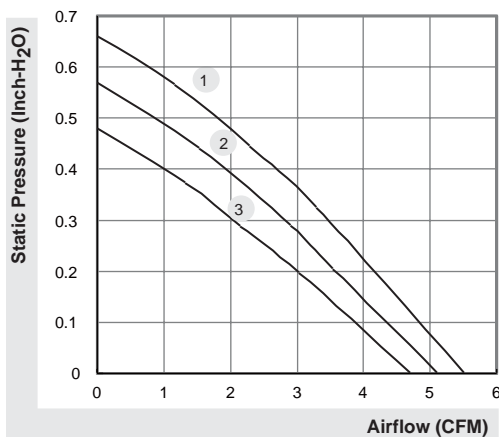
*All model could be customized. Please contact with Sunon Sales.
 *Specifications subject to change without notice. Please Visit SUNON web site at <http://www.sunon.com> for update information.

50x50x20 mm

4.8~5.7 CFM



|  | P/N | Bearing | Rating Voltage (VDC) | Power Current (AMP) | Power Consumption (WATTS) | Speed (RPM) | Air Flow (CFM) | Static Pressure (Inch-H ₂ O) | Noise (dBA) | Weight (g) | Curve |
|---|-----|---------|----------------------|---------------------|---------------------------|-------------|----------------|---|-------------|------------|-------|
| | | | | | | | | | | | |
| GB1205PKV1-8AY | GN | ● | 12 | 0.124 | 1.5 | 5200 | 5.7 | 0.66 | 35 | 33 | 1 |
| GB1205PKV2-8AY | GN | ● | 12 | 0.104 | 1.3 | 4800 | 5.2 | 0.56 | 33 | 33 | 2 |
| GB1205PKV3-8AY | GN | ● | 12 | 0.088 | 1.1 | 4400 | 4.8 | 0.46 | 30 | 33 | 3 |




*All model could be customized. Please contact with Sunon Sales.

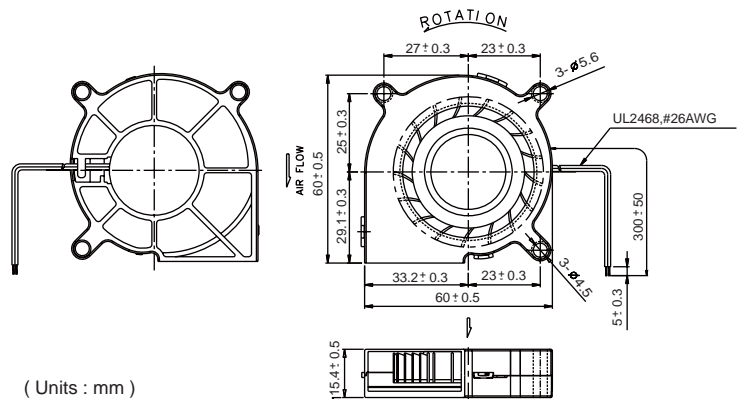
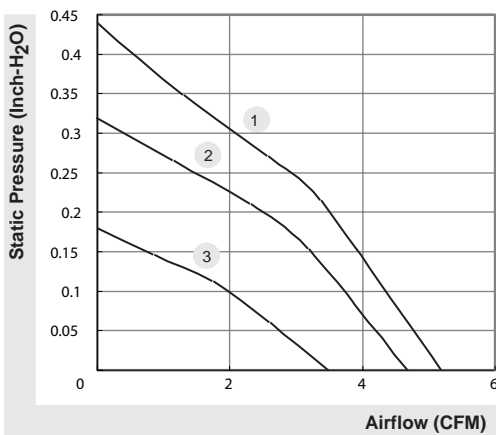
*Specifications subject to change without notice. Please Visit SUNON web site at <http://www.sunon.com> for update information.

60x60x15 mm

3.5~5.2 CFM



|  | P/N | Bearing | Rating Voltage (VDC) | Power Current (AMP) | Power Consumption (WATTS) | Speed (RPM) | Air Flow (CFM) | Static Pressure (Inch-H ₂ O) | Noise (dBA) | Weight (g) | Curve |
|---|-----|---------|----------------------|---------------------|---------------------------|-------------|----------------|---|-------------|------------|-------|
| | | | | | | | | | | | |
| GB1206PHV1-AY | GN | ● | 12 | 0.105 | 1.3 | 4800 | 5.2 | 0.44 | 40.5 | 45 | 1 |
| GB1206PHV2-AY | GN | ● | 12 | 0.07 | 0.8 | 4200 | 4.7 | 0.32 | 36.0 | 45 | 2 |
| GB1206PHV3-AY | GN | ● | 12 | 0.04 | 0.5 | 3200 | 3.5 | 0.18 | 29.0 | 45 | 3 |




*All model could be customized. Please contact with Sunon Sales.

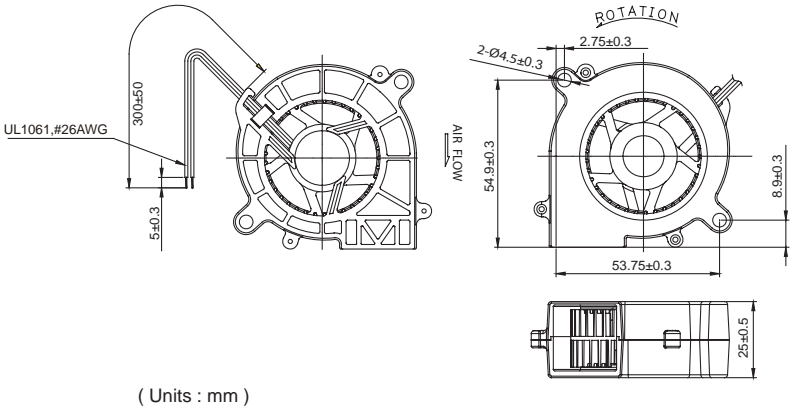
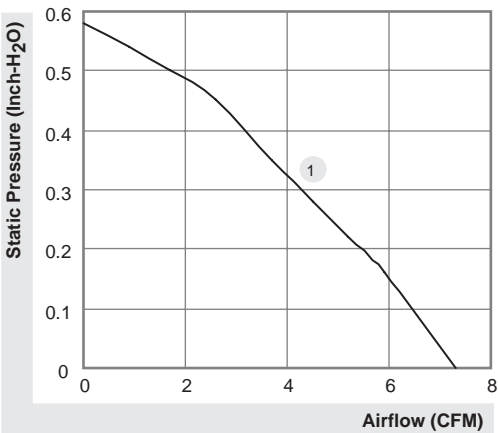
*Specifications subject to change without notice. Please Visit SUNON web site at <http://www.sunon.com> for update information.

60x60x25 mm

7.3 CFM



|  | P/N | Bearing | Rating Voltage (VDC) | Power Current (AMP) | Power Consumption (WATTS) | Speed (RPM) | Air Flow (CFM) | Static Pressure (Inch-H ₂ O) | Noise (dBA) | Weight (g) | Curve |
|---|-----------|-------------|----------------------|---------------------|---------------------------|-------------|----------------|---|-------------|------------|-------|
| | | ● VAPO ● | 12 | 0.14 | 1.7 | 3600 | 7.3 | 0.58 | 32.4 | 55 | 1 |
| GB1206PTV2-AY | 13.Z.X.GN | | | | | | | | | | |



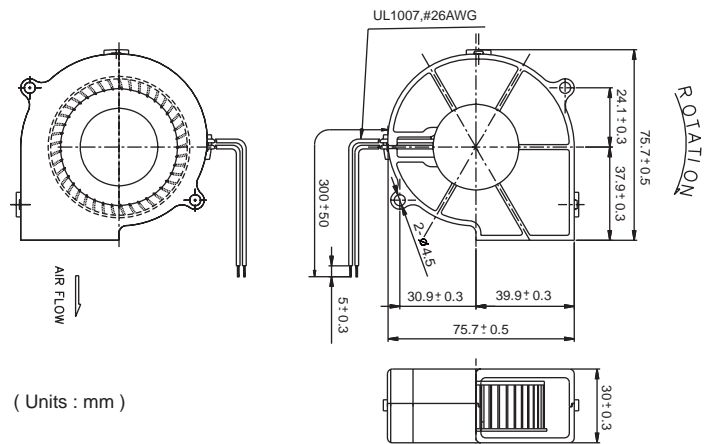
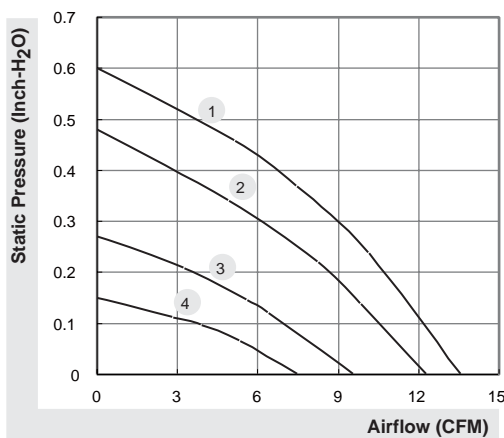
*All model could be customized. Please contact with Sunon Sales.
 *Specifications subject to change without notice. Please Visit SUNON web site at <http://www.sunon.com> for update information.

75x75x30 mm

7.5~13.6 CFM



| Model | P/N | Bearing ● 2BALL ○ Sleeve | Rating Voltage (VDC) | Power Current (AMP) | Power Consumption (WATTS) | Speed (RPM) | Air Flow (CFM) | Static Pressure (Inch-H ₂ O) | Noise (dBA) | Weight (g) | Curve |
|----------------|--------|--------------------------------|-------------------------|------------------------|------------------------------|----------------|-------------------|--|----------------|---------------|-------|
| PMB1275PNB1-AY | (2).GN | ● | 12 | 0.30 | 3.6 | 3400 | 13.6 | 0.60 | 43.5 | 86.5 | 1 |
| PMB1275PNB2-AY | (2).GN | ● | 12 | 0.23 | 2.8 | 3000 | 12.3 | 0.48 | 40.5 | 86.5 | 2 |
| PMB1275PNB3-AY | (2).GN | ● | 12 | 0.13 | 1.6 | 2400 | 9.6 | 0.27 | 33.9 | 86.5 | 3 |
| PMB1275PNB4-AY | (2).GN | ● | 12 | 0.08 | 1.0 | 1900 | 7.5 | 0.15 | 28.0 | 86.5 | 4 |
| PMB2475PNB1-AY | (2).GN | ● | 24 | 0.17 | 4.1 | 3400 | 13.6 | 0.60 | 43.5 | 86.5 | 1 |
| PMB2475PNB2-AY | (2).GN | ● | 24 | 0.14 | 3.4 | 3000 | 12.3 | 0.48 | 40.5 | 86.5 | 2 |
| PMB2475PNB3-AY | (2).GN | ● | 24 | 0.08 | 1.9 | 2400 | 9.6 | 0.27 | 33.9 | 86.5 | 3 |
| PMB2475PNB4-AY | (2).GN | ● | 24 | 0.05 | 1.2 | 1900 | 7.5 | 0.15 | 28.0 | 86.5 | 4 |



*All model could be customized. Please contact with Sunon Sales.

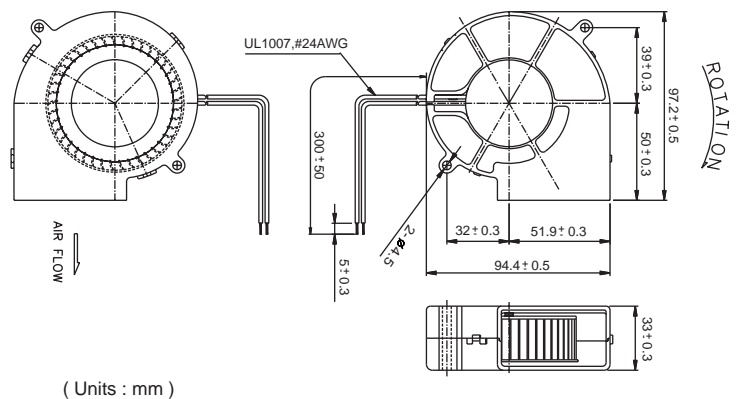
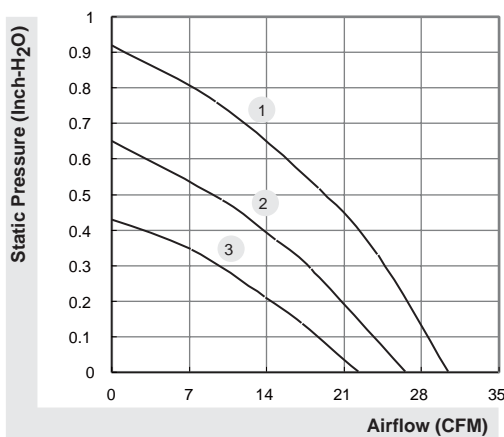
*Specifications subject to change without notice. Please Visit SUNON web site at <http://www.sunon.com> for update information.

97x94x33 mm

22.4~30.5 CFM



| Model | P/N | Bearing ● 2BALL ○ Sleeve | Rating Voltage (VDC) | Power Current (AMP) | Power Consumption (WATTS) | Speed (RPM) | Air Flow (CFM) | Static Pressure (Inch-H ₂ O) | Noise (dBA) | Weight (g) | Curve |
|----------------|--------|--------------------------------|-------------------------|------------------------|------------------------------|----------------|-------------------|--|----------------|---------------|-------|
| PMB1297PYB1-AY | (2).GN | ● | 12 | 0.72 | 8.6 | 3600 | 30.5 | 0.92 | 55.8 | 185 | 1 |
| PMB1297PYB2-AY | (2).GN | ● | 12 | 0.56 | 6.7 | 3200 | 26.6 | 0.65 | 53.1 | 185 | 2 |
| PMB1297PYB3-AY | (2).GN | ● | 12 | 0.30 | 3.6 | 2700 | 22.4 | 0.43 | 50.0 | 185 | 3 |
| PMB2497PYB1-AY | (2).GN | ● | 24 | 0.39 | 9.4 | 3600 | 30.5 | 0.92 | 55.8 | 185 | 1 |
| PMB2497PYB2-AY | (2).GN | ● | 24 | 0.25 | 6.0 | 3200 | 26.6 | 0.65 | 53.1 | 185 | 2 |
| PMB2497PYB3-AY | (2).GN | ● | 24 | 0.16 | 3.8 | 2700 | 22.4 | 0.43 | 50.0 | 185 | 3 |
| PMB4897PYB1-AY | (2).GN | ● | 48 | 0.17 | 8.2 | 3600 | 30.5 | 0.92 | 55.8 | 185 | 1 |
| PMB4897PYB2-AY | (2).GN | ● | 48 | 0.13 | 6.2 | 3200 | 26.6 | 0.65 | 53.1 | 185 | 2 |
| PMB4897PYB3-AY | (2).GN | ● | 48 | 0.09 | 4.3 | 2700 | 22.4 | 0.43 | 50.0 | 185 | 3 |



*All model could be customized. Please contact with Sunon Sales.

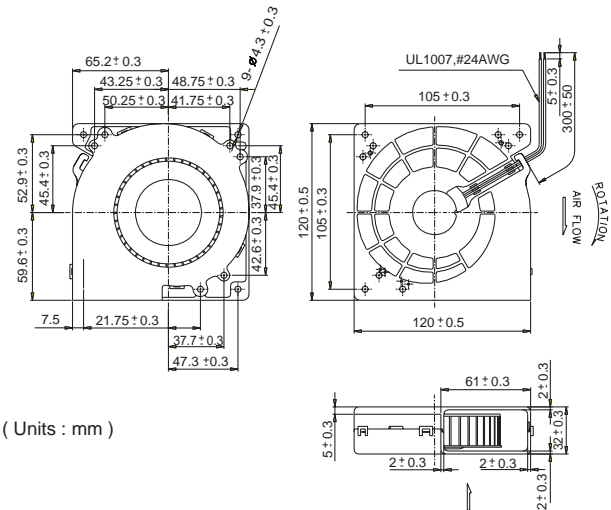
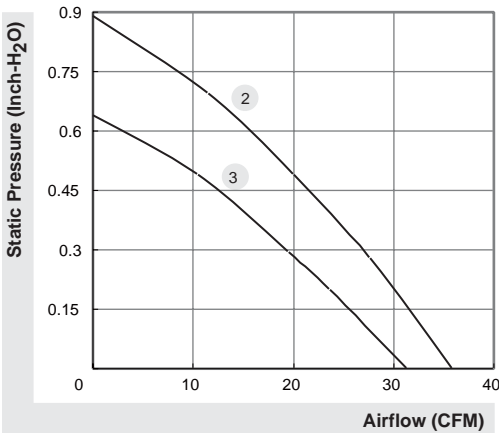
*Specifications subject to change without notice. Please Visit SUNON web site at <http://www.sunon.com> for update information.

120x120x32 mm

31.4~35.9 CFM



| Model | P/N | Bearing ● 2BALL ○ Sleeve | Rating Voltage (VDC) | Power Current (AMP) | Power Consumption (WATTS) | Speed (RPM) | Air Flow (CFM) | Static Pressure (Inch-H ₂ O) | Noise (dBA) | Weight (g) | Curve |
|---------------|--------|--------------------------------|----------------------|---------------------|---------------------------|-------------|----------------|---|-------------|------------|-------|
| PMB1212PLB2-A | (2).GN | ● | 12 | 0.82 | 9.8 | 2500 | 35.9 | 0.89 | 53.8 | 250 | 1 |
| PMB1212PLB3-A | (2).GN | ● | 12 | 0.45 | 5.4 | 2100 | 31.4 | 0.64 | 49.6 | 250 | 2 |
| PMB2412PLB2-A | (2).GN | ● | 24 | 0.38 | 9.1 | 2500 | 35.9 | 0.89 | 53.8 | 250 | 1 |
| PMB2412PLB3-A | (2).GN | ● | 24 | 0.24 | 5.8 | 2100 | 31.4 | 0.64 | 49.6 | 250 | 2 |
| PMB4812PLB3-A | (2).GN | ● | 48 | 0.12 | 5.8 | 2100 | 31.4 | 0.64 | 49.6 | 250 | 2 |



*All model could be customized. Please contact with Sunon Sales.
 *Specifications subject to change without notice. Please Visit SUNON web site at <http://www.sunon.com> for update information.



Headquarters:

Sunonwealth Electric Machine Industry Co., Ltd.

No.30, Lane 296, Sinya Rd., Cianjhen District, Kaohsiung City 806, Taiwan
TEL : +886-7-8135888
FAX :+886-7-8230505/8230606/8231010
URL: <http://www.sunon.com>
E-mail: sunon@email.sunon.com.tw

Sunon Inc. (U.S.A.)

1075 West Lambert Road Suite A, Brea, California 92821, U.S.A
TEL : +1-714-255-0208
FAX :+ 1-714-255-0802
URL : <http://www.sunonusa.com>
E-mail : info@sunon.com

Sunon SAS (Europe)

Parc Medecis, 66, Ave Des Pepinieres 94832, Fresnes Cedex-France
TEL : +33-1-46154515
FAX : +33-1-46154510
URL: <http://www.sunoneurope.com>
E-mail : info@sunoneurope.com

Sunon Corporation (Japan)

Stork Minami Otsuka 4Fl.33-1, 2 Chome,
Minami Otsuka Toshimaku, Tokyo, Japan 170-0005
TEL : +81-3-5395-3069
FAX: +81-3-5395-3080
URL: <http://www.sunon.co.jp>
E-mail : info@sunon.co.jp

Sunonwealth Electric Machine Industry (HK) Ltd. (Hong Kong)

1210 Grand City Plaza, 1 Sai Lau Kok Road, Tsuen Wan, Hong Kong ,China
TEL : + 852-24-111-388
FAX : + 852-24-050-707
E-mail : info@sunon.com.hk

Sunon Shen Zhen Office (Shen Zhen, China)

TEL :+86-755-26880688
FAX :+86-755-26880288
E-mail : info@sunon.com.cn

Sunon Guangzhou Office (Guangzhou, China)

TEL :+86-20-87788928
FAX :+86-20-87786786

Sunon Taipei Office(Taipei)

5F., No.194, Jhouzih St., Neihu District, Taipei City 114, Taiwan
TEL: 02-27992383
FAX: 02-27972190

单击下面可查看定价，库存，交付和生命周期等信息

[>>Sunon\(建准\)](#)