

## High-Precision Alloy Current Sensing Resistors

### ■ MSREM series

AEC-Q200 Compliant

#### Features

- The MSREM series is based on precision resistive alloy and welded with vacuum electron beam welding equipment to ensure its characteristics and reliability.
- Precision machining and uniform welding provide a minimum tolerance of  $\pm 0.5\%$  without trimming.
- The TCR achieves a minimum of  $\pm 200\text{ppm}/^\circ\text{C}$  over a wide temperature range of  $-55^\circ\text{C}$  to  $+170^\circ\text{C}$ .
- The "Trimming-free" technology avoids current loss and is free of hot spots.
- The thermoelectric power is extremely low and thermal fluctuations are minimized.

#### Applications

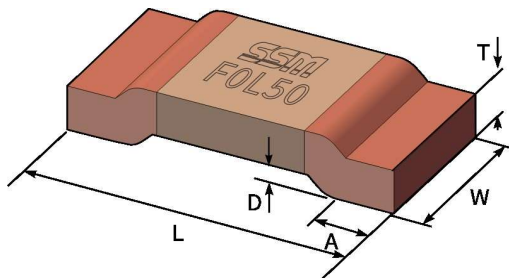
- Automotive Electronics
- Precision Power Supply
- Instrumentation
- Medical Equipment

### ◆ Electrical Specification

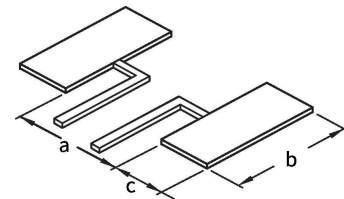
| Series | Size inch. (mm) | Resistance Value | Power | Max. Operating Current | Operating Temperature                       | TCR (20°C Ref)                     | Tolerance   | Thermal Resistance             | PKG.       |
|--------|-----------------|------------------|-------|------------------------|---|------------------------------------|-------------|--------------------------------|------------|
| MSREM  | 2512 (6330)     | 0.3 mΩ           | 6 W   | 140 A                  | $-55^\circ\text{C} \sim +170^\circ\text{C}$ | $\pm 200\text{ppm}/^\circ\text{C}$ | $\pm 0.5\%$ | 4.1 $^\circ\text{C}/\text{W}$  | 4,000 pcs. |
|        |                 | 0.5 mΩ           | 6 W   | 109 A                  |   |                                    | $\pm 1.0\%$ | 5.1 $^\circ\text{C}/\text{W}$  |            |
|        |                 | 1.0 mΩ           | 6 W   | 77 A                   |   |                                    | $\pm 5.0\%$ | 11.1 $^\circ\text{C}/\text{W}$ |            |

### ◆ Dimensions

Resistor



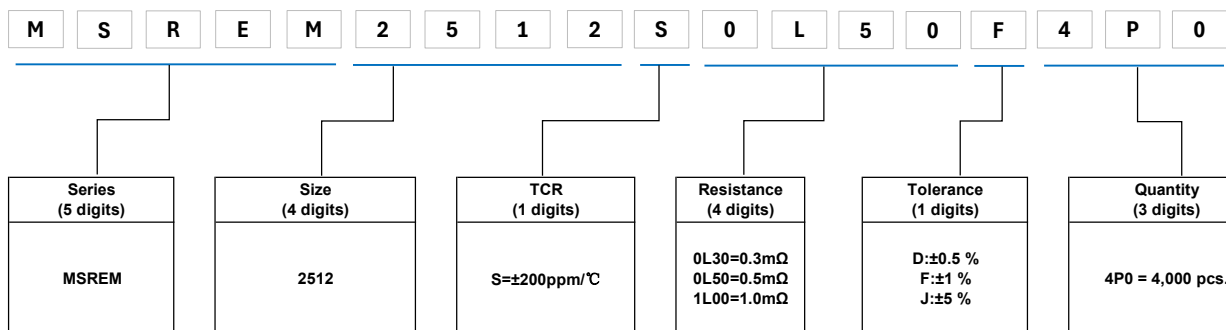
Land Pattern



Not following the recommended land pattern design can seriously affect the temperature coefficient measurement results and current sensing accuracy!

| Series | Size inch. (mm) | Resistance Value | Unit:mm       |               |               |                |                |               |                |                |
|--------|-----------------|------------------|---------------|---------------|---------------|----------------|----------------|---------------|----------------|----------------|
|        |                 |                  | L             | W             | A             | T              | D              | a             | b              | c              |
| MSREM  | 2512 (6330)     | 0.3 mΩ           | 6.3 $\pm$ 0.3 | 3.0 $\pm$ 0.3 | 1.3 $\pm$ 0.3 | 1.0 $\pm$ 0.2  | 0.35 $\pm$ 0.2 | 3.9 $\pm$ 0.2 | 3.4 $\pm$ 0.25 | 1.8 $\pm$ 0.25 |
|        |                 | 0.5 mΩ           | 6.3 $\pm$ 0.3 | 3.0 $\pm$ 0.3 | 1.3 $\pm$ 0.3 | 0.9 $\pm$ 0.2  | 0.35 $\pm$ 0.2 | 3.9 $\pm$ 0.2 | 3.4 $\pm$ 0.25 | 1.8 $\pm$ 0.25 |
|        |                 | 1.0 mΩ           | 6.3 $\pm$ 0.3 | 3.0 $\pm$ 0.3 | 1.3 $\pm$ 0.3 | 0.4 $\pm$ 0.15 | 0.35 $\pm$ 0.2 | 3.9 $\pm$ 0.2 | 3.4 $\pm$ 0.25 | 1.8 $\pm$ 0.25 |

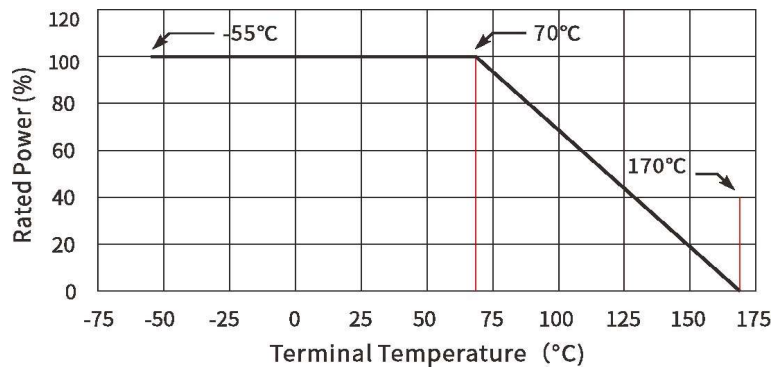
### ◆ Part Number information



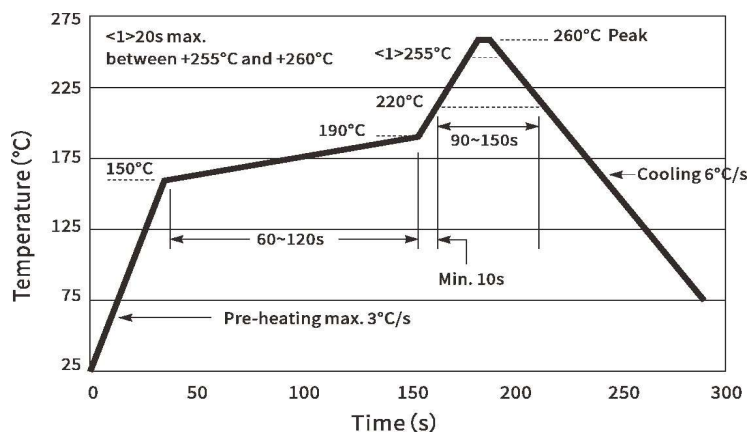
◆ Performance

| Test                      | Test Method   | Standards                                  | Typical                                    | Max.                      |
|---------------------------|---|--|--|---------------------------|
| High Temperature Storage  | 1000h@+170°C, unpowered   | AEC-Q200 TEST 3<br>MIL-STD-202 Method 108  | $\Delta R \leq \pm 0.5\%$                  | $\Delta R \leq \pm 1.0\%$ |
| Thermal Shock             | -55°C, 15min~ambient temperature <20s~+155°C, 15min, 1000 cycles  | AEC-Q200 TEST 16<br>MIL-STD-202 Method 107 | $\Delta R \leq \pm 0.1\%$                  | $\Delta R \leq \pm 0.5\%$ |
| Bias Humidity             | +85°C, 85%RH, powered no less than 10% rated power for 1000h  | AEC-Q200 TEST 7<br>MIL-STD-202 Method 103  | $\Delta R \leq \pm 0.2\%$                  | $\Delta R \leq \pm 0.5\%$ |
| Load Life                 | 2000h @ +70°C, rated power, 90min on, 30min off<br>+70°C refers to terminal temperature   | AEC-Q200 TEST 8<br>MIL-STD-202 Method 108  | $\Delta R \leq \pm 0.5\%$                  | $\Delta R \leq \pm 1.0\%$ |
| Resistance to Solvent     | Immerse in solvent for 3 min and wipe 10 times.<br>Three cycles of three solvents.<br>Dry at ambient temperature after cleaning | AEC-Q200 TEST 12<br>MIL-STD-202 Method 215 | Clear marking.<br>No visible damage        |                           |
| Mechanical Shock          | Half Sine Wave, peak acceleration 100g's, pulse duration 6ms,<br>3 times in each of six directions, on three different axes     | AEC-Q200 TEST 13<br>MIL-STD-202 Method 213 | $\Delta R \leq \pm 0.01\%$                 | $\Delta R \leq \pm 0.2\%$ |
| Vibration                 | 10-2KHz, 5g's, 20min/cycle, 12 cycles in each directions of X Y Z   | AEC-Q200 TEST 14<br>MIL-STD-202 Method 204 | $\Delta R \leq \pm 0.01\%$                 | $\Delta R \leq \pm 0.2\%$ |
| Resistance to Solder Heat | +260°C tin bath for 10s   | AEC-Q200 TEST 15<br>MIL-STD-202 Method 210 | $\Delta R \leq \pm 0.2\%$                  | $\Delta R \leq \pm 0.5\%$ |
| Solderability             | +245°C tin bath for 3s  | AEC-Q200 TEST 18<br>IEC 60115-1 4.17       | No visible damage.<br>95% minimum coverage |                           |
| TCR                       | -55°C and +170°C, +20°C Ref.  | AEC-Q200 TEST 19<br>IEC 60115-1 4.8        | Within the nominal TCR                     |                           |
| Substrate Bending         | 2mm. Duration: 60s.   | AEC-Q200 TEST 21<br>AEC-Q200-005           | $\Delta R \leq \pm 0.1\%$                  | $\Delta R \leq \pm 0.5\%$ |
| Short Time Overload       | 5x rated voltage, 5s  | IEC 60115-1 4.13                           | $\Delta R \leq \pm 0.1\%$                  | $\Delta R \leq \pm 0.5\%$ |
| Low Temperature Storage   | -55°C for 96h, unpowered  | IEC 60068-2-1                              | $\Delta R \leq \pm 0.1\%$                  | $\Delta R \leq \pm 0.5\%$ |
| Moisture Resistance       | Apply T=24 h/cycle, zero power, method 7a and 7b are not required   | MIL-STD-202 Method 106                     | $\Delta R \leq \pm 0.1\%$                  | $\Delta R \leq \pm 0.5\%$ |

◆ Derating Curve

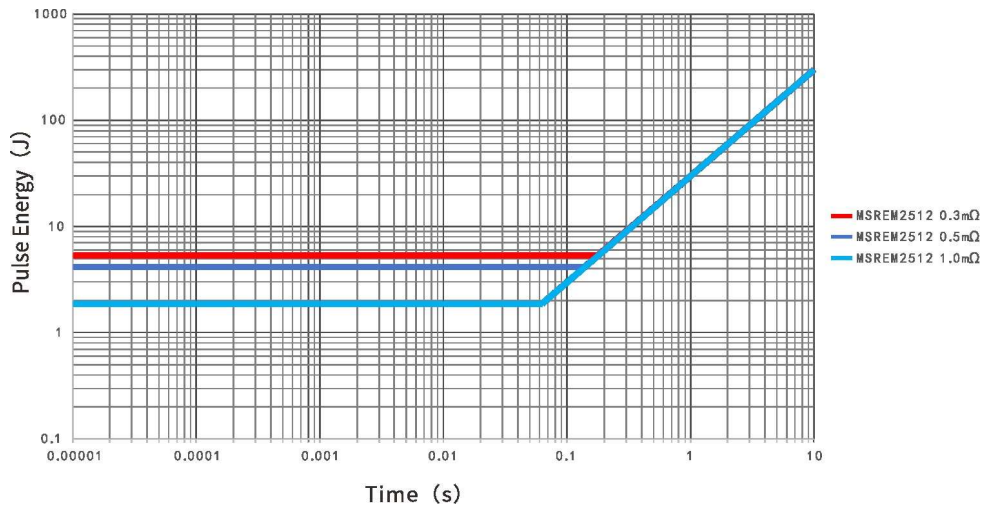


◆ Reflow Soldering Profile

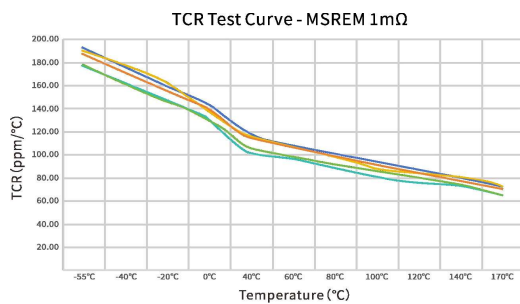
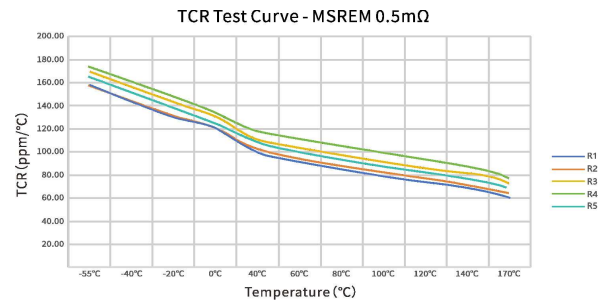
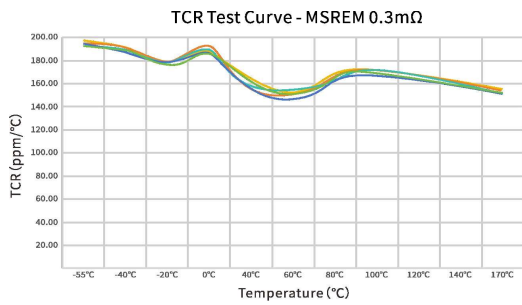


Resistor Surface Temperature :  
Pre-Heat: +150°C+190°C, 60~120sec.  
Reflow: Above +220°C, 90~150sec.  
Applicable Solder Composition: Sn-Ag-Cu

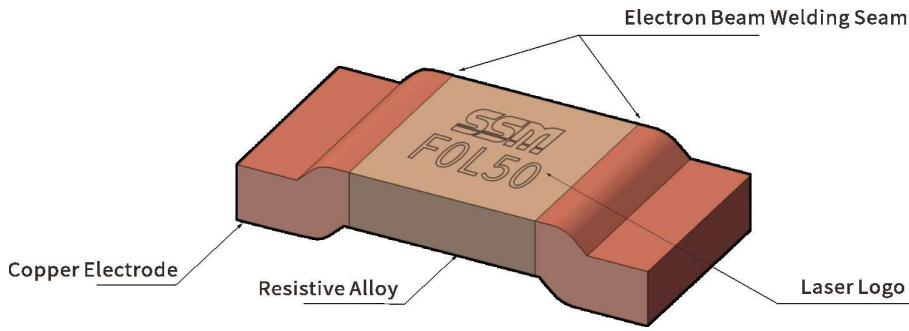
◆ **Maximum Pulse Energy Curve**



◆ **Temperature Coefficient of Resistance Test Curve**

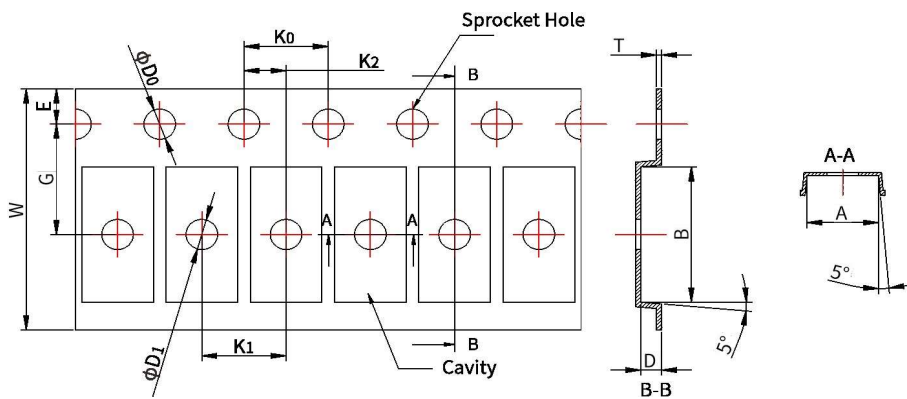


◆ Construction & Marking



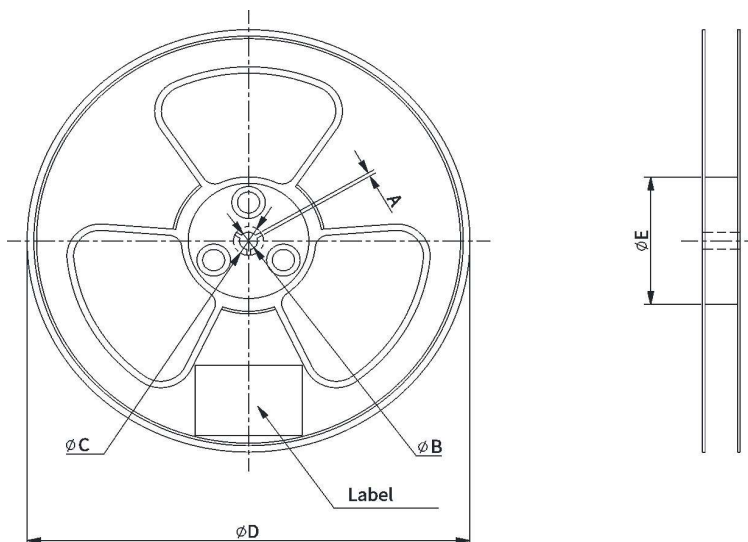
SSM : Brand  
F : Tolerance  
OL50 : Resistance

◆ Tape Specification



| Series | Size inch (mm) | Resistance Value | Unit:mm  |          |         |         |          |          |          |          |           |           |          |           |
|--------|----------------|------------------|----------|----------|---------|---------|----------|----------|----------|----------|-----------|-----------|----------|-----------|
|        |                |                  | A        | B        | φD0     | φD1     | K0       | K1       | K2       | E        | G         | W         | D        | T         |
| MSREM  | 2512 (6330)    | 0.3 mΩ           | 3.30±0.2 | 6.60±0.2 | 1.5±0.1 | 1.5±0.1 | 4.00±0.1 | 4.00±0.1 | 2.00±0.1 | 1.75±0.1 | 5.50±0.05 | 12.00±0.2 | 1.50±0.1 | 0.25±0.05 |
|        |                | 0.5 mΩ           | 3.30±0.2 | 6.60±0.2 | 1.5±0.1 | 1.5±0.1 | 4.00±0.1 | 4.00±0.1 | 2.00±0.1 | 1.75±0.1 | 5.50±0.05 | 12.00±0.2 | 1.50±0.1 | 0.25±0.05 |
|        |                | 1 mΩ             | 3.30±0.2 | 6.60±0.2 | 1.5±0.1 | 1.5±0.1 | 4.00±0.1 | 4.00±0.1 | 2.00±0.1 | 1.75±0.1 | 5.50±0.05 | 12.00±0.2 | 0.90±0.1 | 0.23±0.05 |

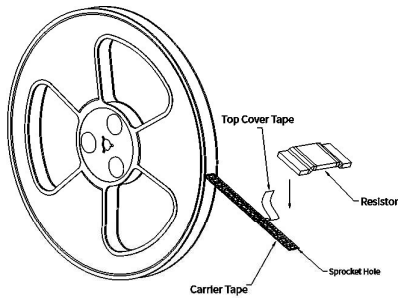
◆ Reel Specification



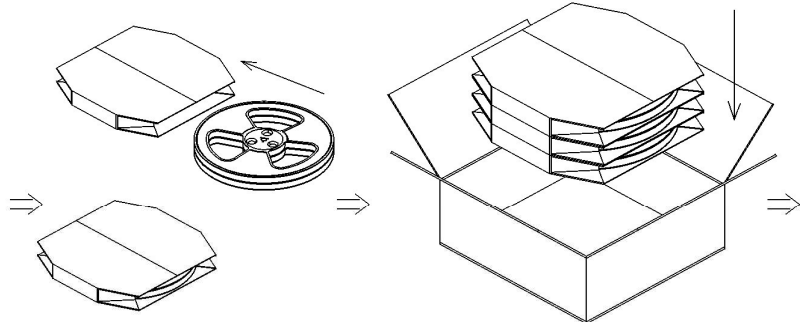
| Series | Size inch (mm) | Unit:mm  |               |           |       |       |
|--------|----------------|----------|---------------|-----------|-------|-------|
|        |                | A        | φB            | φC        | φD    | φE    |
| MSREM  | 2512 (6330)    | 1.5 Min. | 13.0+0.5/-0.2 | 20.2 Min. | 330±2 | 100±2 |

◆ **Packaging**

Size 2512(6330): 4000 pcs/reel, 6 reel/box

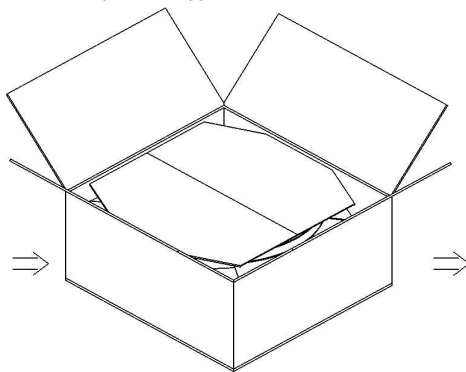


1. Resistors are packed in a tape and wrapped in a reel.

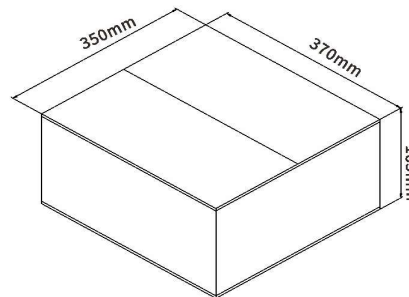


2. Packed in a cardboard box.  
The size of the cardboard is 335mm\*340mm\*37mm.

3. Put the reels in the box.



4. If the last box is not full, bubble wrap or EPE should be placed to prevent the product from shaking or vibration.



5. Box size: 350mm\*370mm\*165mm

◆ **Storage Instructions**

- (1) Resistors should be stored at a temperature of 5 to 35°C, with a humidity of <60% RH. The humidity should be kept as low as possible.
- (2) Resistors should be protected from direct sunlight.
- (3) Resistors should be stored in a clean and dry environment free of harmful gases (HCl, Sulfuric acid, H<sub>2</sub>S, etc.)
- (4) Do not move the resistor from the packaging unless use it.
- (5) Under the above storage conditions, the resistor can be stored for at least 1 year.

◆ **Usage Suggestions**

- (1) Please protect the surface of the resistor during use. Prevent defects such as scratches, bumps, and oil stains on the surface.
- (2) Do not use sharp tweezers to move the resistor. Scratches on the surface can cause resistance drift and resistor failure.
- (3) When installing and using resistors, avoid the impact of mechanical stress on the resistor.
- (4) The long-term operating power of resistors should be ≤ rated power to avoid resistance drift caused by long-term overload.
- (5) Please refer to the derating curve when operating under high temperature conditions or poor heat dissipation environment.
- (6) If the operating conditions exceed the pulse specified in the pulse curve, a systematic evaluation is required.
- (7) If the resistor is not used after being moved from the packaging, it should be stored under vacuum to avoid risks such as poor welding caused by oxidation of the resistor.

单击下面可查看定价，库存，交付和生命周期等信息

[>>SUSUMU\(进工业\)](#)