



Lead-Free Current Sensing Resistors
RLF Series
AEC-Q 200-Ver E qualified
(Halogen-Free)

Document No	TRLF-060S009F
Issued date	2024/8/8
page	1/8

1. Scope

This specification applied to the products of Lead-Free current sensing resistor of metal plate for Lead-Free RLF series manufactured by TA-I TECHNOLOGY CO.,LTD.

2. Type Designation



Series No.	Tolerance	Packaging	Power	Metal	Resistance
06 : 0612 (F=4-Wire)	F= ±1% G= ±2% J= ±5%	E= Embossed	S= 0.5W C= 1W	M= MnCu	e.g. R001=1mΩ R50M=0.5mΩ

3. Features

Type	RLF 06
Size	0612
Power Rating	0.5W 1W
Resistance Value	0.5mΩ ~ 5mΩ
Operation Temperature Range	-55°C~+170°C
TCR	± 100ppm/°C
Tolerance	±1% 、 ±2% 、 ±5%
Insulation Resistance	Over 100MΩ
Maximum Working Voltage(V)	$(P \cdot R)^{1/2}$

* Note : The specifications and characteristics of this product are not suitable for series and parallel use.

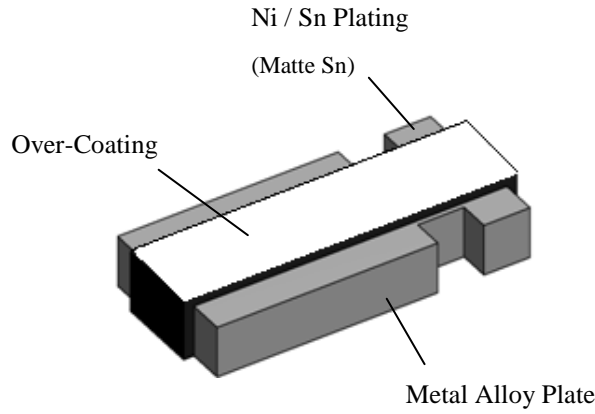


Lead-Free Current Sensing Resistors
RLF Series
AEC-Q 200-Ver E qualified
(Halogen-Free)

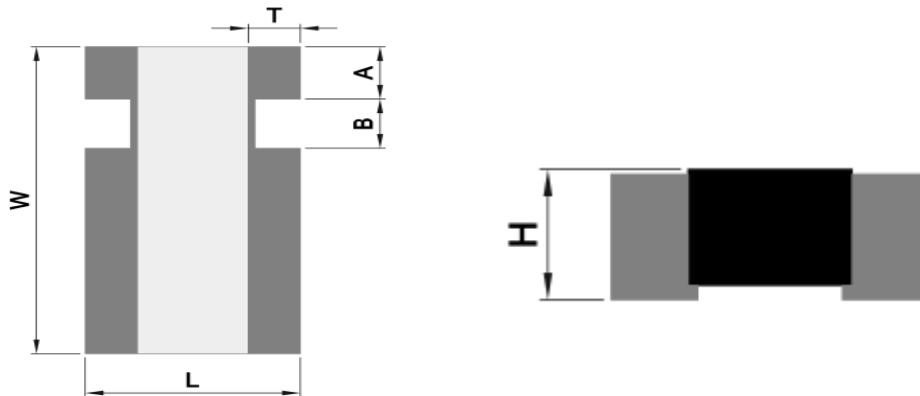
Document No	TRLF-060S009F
Issued date	2024/8/8
page	2/8

4. Construction and Dimension

4.1 Construction



4.2 Dimension



Series	L	W	H	T	A	B	Material
RLF06	1.65 ±0.2	3.05 ±0.25	0.65 ±0.2	0.4 ±0.25	0.51 ±0.13	0.34 ±0.13	Strip : Alloy Over Coating : molding Compound UL-94V-0 grade

Note* Patent Pending

Unit: mm

Marking

For RLF06

No markings, only white coating.





Lead-Free Current Sensing Resistors
RLF Series
AEC-Q 200-Ver E qualified
(Halogen-Free)

Document No	TRLF-060S009F
Issued date	2024/8/8
page	3/8

5. Reliability Tests

Test Items	Reference	Condition of Test	Test Limits
Temperature Coefficient of Resistance	IEC60115-1 4.8	+25 ~ 125°C	Refer 4.0
High Temperature Exposure (Storage)	AEC-Q200-REV E-Test 3 MIL-STD202 Method 108	T=170°C,1000hrs, Measurement at 24hrs after test conclusion.	< ±(1%+0.0005Ω)
Temperature Cycling	AEC-Q200-REV E-Test 4 JESD22 Method JA-104	1000Cycle (-55°C to 155°C), Measurement at 24hrs after test conclusion.	< ±(1%+0.0005Ω)
Short time overload	IEC60115-1 4.13	5 X rated power for 5s.	< ±(0.5%+0.0005Ω)
Biased Humidity	AEC-Q200-REV E-Test 7 MIL-STD-202 Method 103	10% Rated power at 85°C, RH:85% ,1000Hrs, Measurement at 24hrs after test conclusion.	< ±(1%+0.0005Ω)
Operation life	AEC-Q200-REV E-Test 8 MIL-STD-202 Method 108	1000 hours TA=70°C at 100% rated power. 90min ON and 30 min OFF. Measurement at 24±4 hours after test conclusion.	< ±(2%+0.0005Ω)
External Visual	AEC-Q200-REV E-Test 9 MIL-STD-883 Method 2009	Electrical test not required. Inspect device construction, marking and workmanship.	
Physical Dimension	AEC-Q200-REV E-Test 10 JESD22 Method JB-100	Verify physical dimensions to the applicable device detail specification. Note: User(s) and Suppliers spec. Electrical test not required.	
Resistance to Solvents	AEC-Q200-REV E-Test 12 MIL-STD-202 Method 215	a: Isopropyl Alcohol : Mineral Spirits = 1 : 3 b: Terpene Defluxer c: Deionized water : Propylene Glycol Monomethyl Ether : monoethanolamine = 42 : 1 : 1	Marking and protective layer cannot be detached
Resistance to Soldering Heat	AEC-Q200-REV E-Test 15 MIL-STD-202 Method 210	T=260+/-5°C solder,10+/-1 sec dwell.	< ±(0.5%+0.0005Ω)
Mechanical Shock	AEC-Q200-REV E-Test 13 MIL-STD-202 Method 213	100g's, Normal duration is 6ms, half sine shock pulse.	< ±(0.5%+0.0005Ω)
Resistance to vibration	AEC-Q200-REV E-Test 14 MIL-STD-202 Method 204	5g's for 20min.12cycles, 10-2000Hz.	<±(0.5%+0.0005Ω)
Board Flex	AEC-Q200-REV E-Test 21 AEC-Q200-005	Min 2mm deflection ,60sec.	<±(0.5%+0.0005Ω)
Flammability	AEC-Q200-REV E-Test 20 UL-94	V-0 or V-1are acceptable, Electrical test not required.	V-0
ESD	AEC-Q200-REV E-Test 17 AEC-Q200-002 or ISO/DIS 10605	verify the voltage setting at 500V.	< ±(1%+0.0005Ω)
Solderability	AEC-Q200-REV E-Test 18 J-STD-002	aging 4 hours at 155 °C dry heat Lead-free solder bath at 235±3 °C Dipping time: 3±0.5 seconds.	> 95% area covered with tin

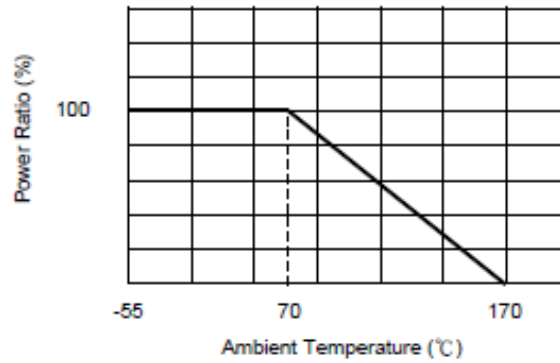


Lead-Free Current Sensing Resistors
RLF Series
AEC-Q 200-Ver E qualified
(Halogen-Free)

Document No	TRLF-060S009F
Issued date	2024/8/8
page	4/8

Terminal Strength (SMD)	AEC-Q200-REV E-Test 22 AEC-Q200-006	Force of 1.8kg for 60 seconds. Remarks: 0201-NA	< ±(1%+0.0005Ω)
Low Temperature Storage	EC60115-1 4.23.4 JIS C 5201-1 4.23.4	-55°C, 1000hrs	<±(1%+0.0005Ω)

5.1 Derating Curve



5.2 Rated Current

The rated current is calculated by the following formula:

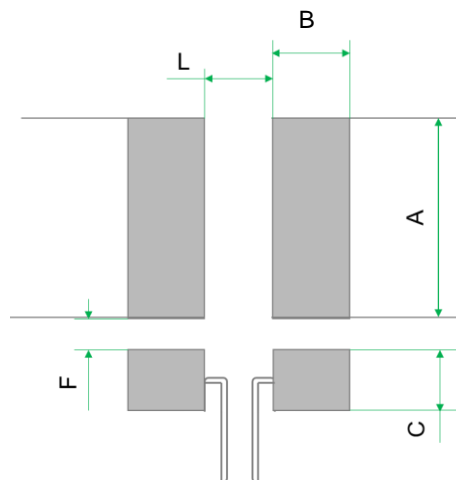
$$I = \sqrt{P \div R}$$

I: Rated Current (A)

P: Rated Power (W)

R: Resistance Value (Ω)

6. Recommended Solder Pad Dimension



Series	Resistance Range(mΩ)	A	B	C	L	F
RLF06	0.5~5	2.3±0.1	1.0±0.1	0.8±0.1	0.7±0.1	0.4±0.1

Note: *Copper foil minimum thickness of PCB: 2oz

Unit: mm



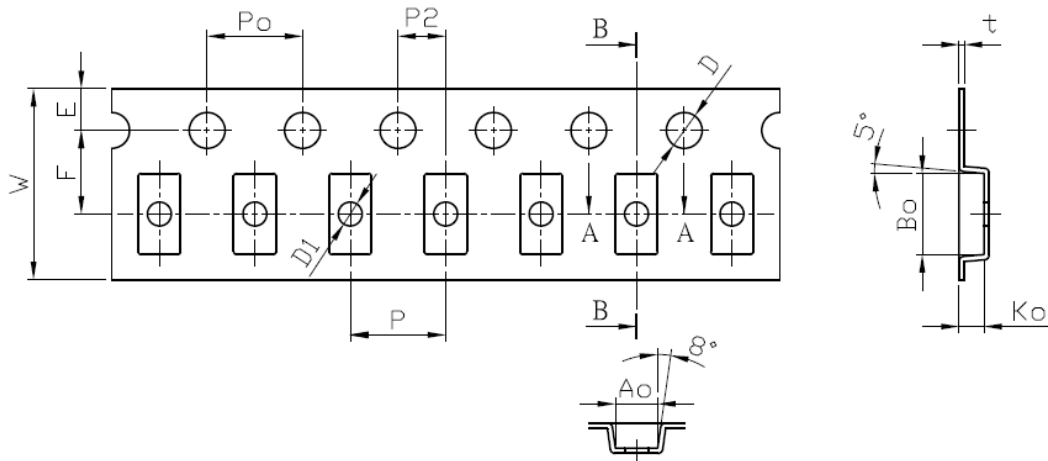
Lead-Free Current Sensing Resistors
RLF Series
AEC-Q 200-Ver E qualified
(Halogen-Free)

Document No	TRLF-060S009F
Issued date	2024/8/8
page	5/8

7. Number of Package

4000 Pieces / Package

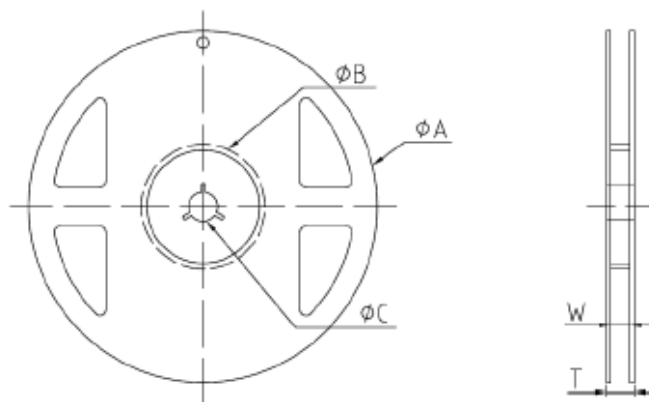
8. Packaging



Packing	Type	W	P	E	F	P ₀	10P ₀	P ₂	D	D1	A ₀	B ₀	K ₀	t
Emboss	RLF06	8.00	4.00	1.75	3.50	4.00	40.00	2.00	1.50	1.00	1.77	3.40	1.04	0.22
Tolerance		±0.10	±0.10	±0.10	±0.05	±0.10	±0.20	±0.05	+0.10 -0.00	±0.10	±0.10	±0.10	±0.10	±0.05

Unit: mm

9. Reel Specification



Unit: mm

Series	φ A	φ B	φ C	W	T
RLF06	178.0 ±2.0	60.0 ±1.0	13.0 ±1.0	9.0 ±1.0	11.5 ±1.0

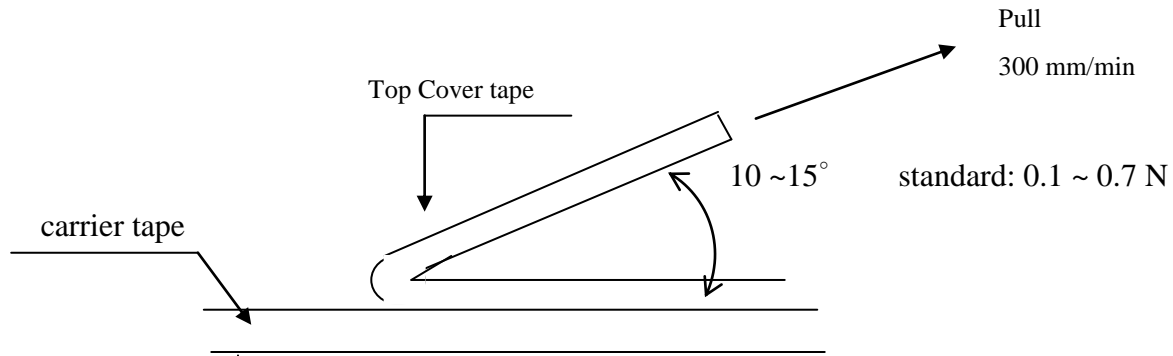


Lead-Free Current Sensing Resistors
RLF Series
AEC-Q 200-Ver E qualified
(Halogen-Free)

Document No	TRLF-060S009F
Issued date	2024/8/8
page	6/8

10. Peeling Strength of Top Cover Tape

Test Condition: 0.1 to 0.7 N at a peel-off speed of 300 mm / min.



11. Storage Conditions

Temperature: 5°C~35°C, Humidity:40%~75%
MSL level 1

12. Shelf Life

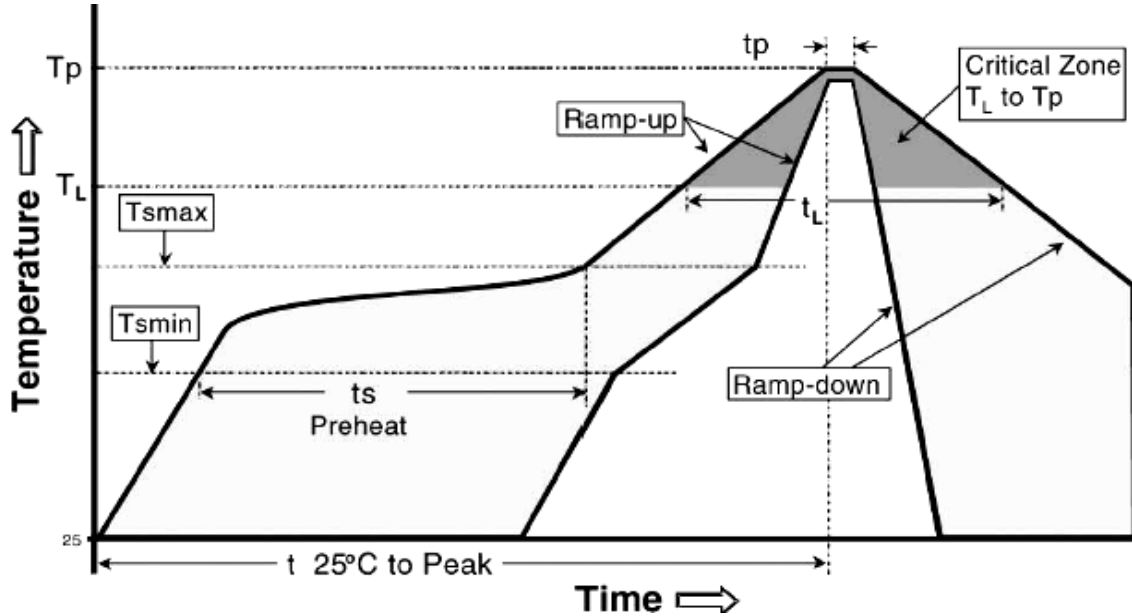
2 years from manufacturing date.



Lead-Free Current Sensing Resistors
RLF Series
AEC-Q 200-Ver E qualified
(Halogen-Free)

Document No	TRLF-060S009F
Issued date	2024/8/8
page	7/8

13. Recommend IR – Reflow profile (solder: Sn96.5 / Ag3 / Cu0.5)



Allowed Re-flow times: 3 times

Remark: To avoid discoloration phenomena of chip on terminal electrodes, please use N2 Re-flow furnace.

Iron Solder: 350±10°C, 3+1/-0 sec, 1 time

Profile Feature	Lead (Pb)-Free Assembly
Average ramp-up rate (T_{smax} to T_p)	3°C / second max.
Preheat <ul style="list-style-type: none"> - Temperature Min (T_{smin}) - Temperature Max (T_{smax}) - Time (T_{smin} to T_{smax}) (t_s) 	150°C 200°C 60 -120 seconds
Time maintained above: <ul style="list-style-type: none"> - Temperature (T_L) - Time (T_L) 	217°C 60-150 seconds
Peak Temperature (T_p)	260°C
Time within $\begin{matrix} +0 \\ -5 \end{matrix}$ °C of actual Peak Temperature (t_p) ²	10 seconds
Ramp-down Rate	6°C/second max.
Time 25°C to Peak Temperature	8minutes max.



Lead-Free Current Sensing Resistors
RLF Series
AEC-Q 200-Ver E qualified
(Halogen-Free)

Document No	TRLF-060S009F
Issued date	2024/8/8
page	8/8

14. ECN

Engineering Change Notice: The customer will be informed with ECN if there is significant modification on the characteristics and materials described in Approval Sheet.

15. Manufacturing Country & City

TA-I TECHNOLOGY CO., LTD. (Taiwan– Tao Yuan)

Tel: (+886) 3-3246169 Fax: (+886) 3-3246167

Associated companies

(1)TA-I TECHNOLOGY (SU ZHOU) CO., LTD. (China – Su Zhou)

Tel :(+86) 512-63457879 Fax: (+86) 512-63457869

(2)TA-I TECHNOLOGY ELECTRONIC (DONGGUAN) CO., LTD. (China –Dongguan)

Tel : (+86) 769-8339-4790~3 Fax : (+86) 769-8339-4794

(3)FORTUNE TASK ENTERPRISES LIMITED (China – Dongguan)

Tel : (+86) 769-8339-4790~3 Fax : (+86) 769-8339-4794

(4)TAI OHM ELECTRONICS (M) SDN. BHD. (Malaysia –Penang)

Tel: (+60)4- 3900480 Fax: (+60)4-3901481

单击下面可查看定价，库存，交付和生命周期等信息

[>>TA-I\(大毅\)](#)