

# TAI-SAW TECHNOLOGY CO., LTD.

No. 3, Industrial 2nd Rd., Ping-Chen Industrial District,  
Taoyuan, 324, Taiwan, R.O.C.  
TEL: 886-3-4690038 FAX: 886-3-4697532  
E-mail: [tstsales@mail.taisaw.com](mailto:tstsales@mail.taisaw.com) Web: [www.taisaw.com](http://www.taisaw.com)

## Product Specifications Approval Sheet

Issued Date:

Product Name: SAW Filter 1583 MHz (BW 46.79MHz) SMD 1.4X1.1 mm

TST Parts No.: TA1343A

Customer Parts No.: \_\_\_\_\_

Company: _____
Division: _____
Approved by : _____
Date: _____

Checked by: \_\_\_\_\_ Michael Yang *Michael*

Approval by: \_\_\_\_\_ Francis Chen *Francis*

Date: \_\_\_\_\_ 2013/03/11

1. Customer signed back is required before TST can proceed with sample build and receive orders.
2. Orders received without customer signed back will be regarded as agreement on the specifications.
3. Any specifications changes must be approved upon by both parties and a new revision of specifications shall be released to reflect the changes



# TAI-SAW TECHNOLOGY CO., LTD.

No. 3, Industrial 2nd Rd., Ping-Chen Industrial District,  
Taoyuan, 324, Taiwan, R.O.C.

TEL: 886-3-4690038 FAX: 886-3-4697532

E-mail: [tstsales@mail.taisaw.com](mailto:tstsales@mail.taisaw.com) Web: [www.taisaw.com](http://www.taisaw.com)

## SAW Filter 1583MHz

MODEL NO.:TA1343A

REV. NO.:2.0

### A. MAXIMUM RATING:

1. Input Power Level: 13 dBm
2. DC Voltage : 0V
3. Operating Temperature: -40°C to +85°C
4. Storage Temperature: -40°C to +85°C

RoHS Compliant  
Lead free  
Lead-free soldering

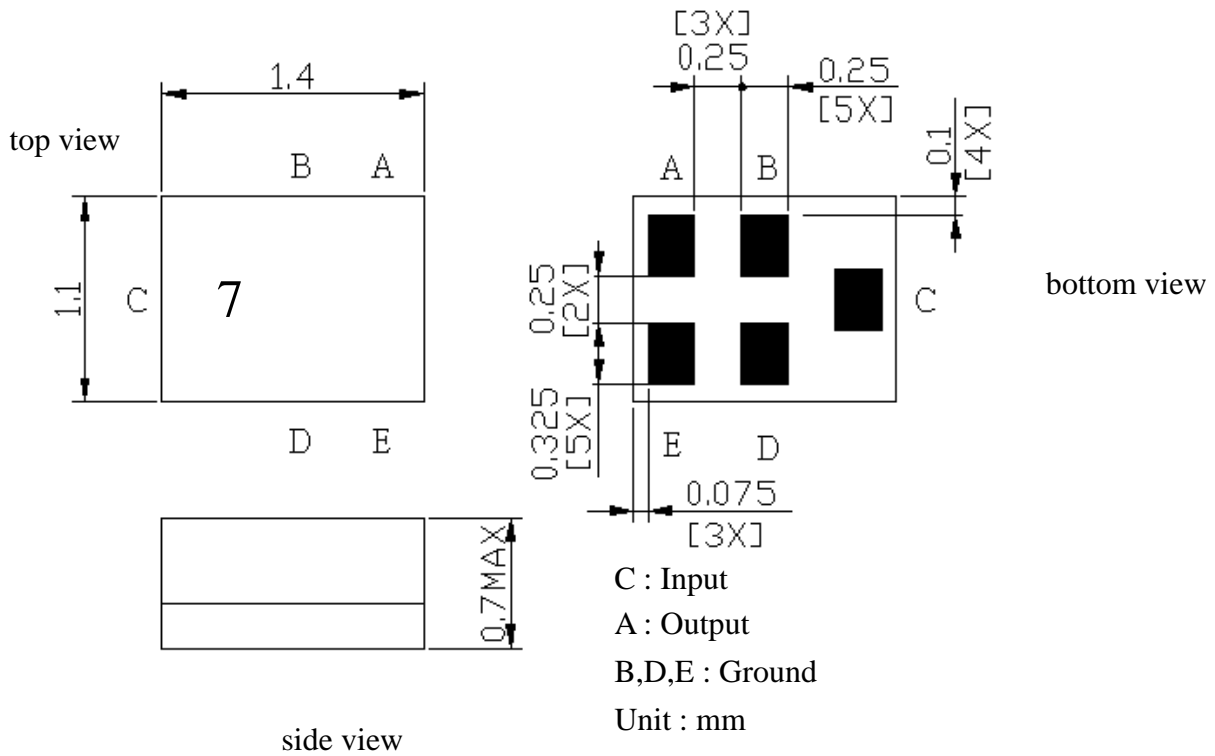
### B. ELECTRICAL CHARACTERISTICS:

Terminating source impedance (single) :  $Z_s = 50$

Terminating load impedance(single) :  $Z_L = 50$

Item	Unit	25±2	Type.	-40 ~ +85
<b>Center Frequency</b> <b>Fc</b>	MHz	-	1583	-
<b>Insertion Loss</b> (1559.1~1563.1 MHz) <b>IL</b>	dB	1.9max	1.8	2.1max
<b>Insertion Loss</b> (1573.42~1577.42 MHz) <b>IL</b>	dB	1.3max	1.2	1.5max
<b>Insertion Loss</b> (1597.55~1605.89 MHz) <b>IL</b>	dB	1.6max	1.5	2.1max
<b>VSWR</b> (1559.1~1563.1 MHz)		1.5max	1.4	1.8max
<b>VSWR</b> (1573.42~1577.42 MHz)		1.7max	1.6	1.9max
<b>VSWR</b> (1597.55~1605.89 MHz)		1.7max	1.6	1.9max
Amplitude ripple (1559.1~1563.1 MHz)	dB	0.6max	0.5	0.8max
(1573.42~1577.42 MHz)	dB	0.3max	0.2	0.5max
(1597.55~1605.89 MHz)	dB	0.5max	0.3	0.6max
<b>Attenuation</b>				
10 ~ 824 MHz	dB	25min	30	25min
824 ~ 925 MHz	dB	25min	30	25min
1427 ~ 1463 MHz	dB	30min	35	30min
1710 ~ 1785 MHz	dB	25min	30	25min
1850 ~ 1980 MHz	dB	26min	30	26min
2400 ~ 2570 MHz	dB	30min	33	30min
2570 ~ 3000 MHz	dB	35min	38	35min
Package size	mm	SMD 1.4x1.1		

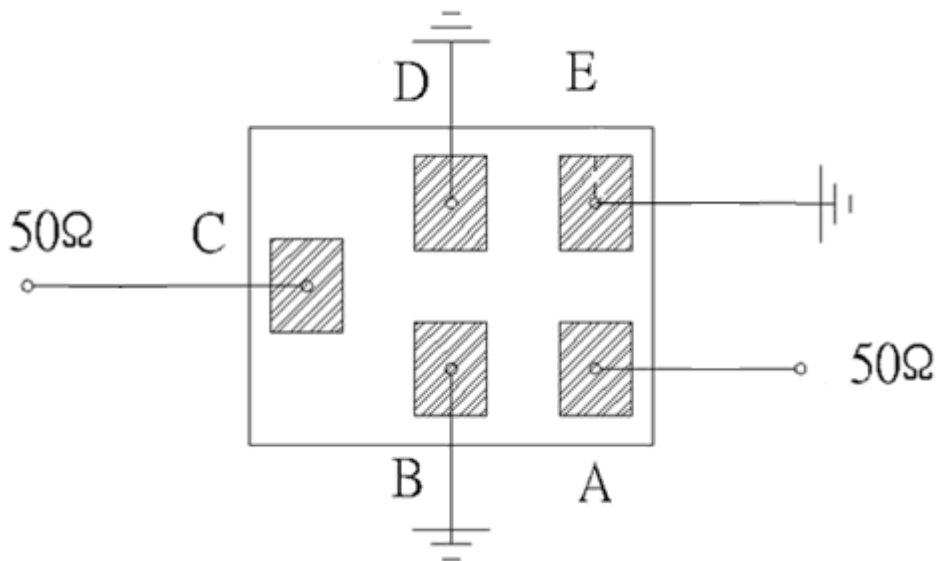
**C.OUTLINE DRAWING:**



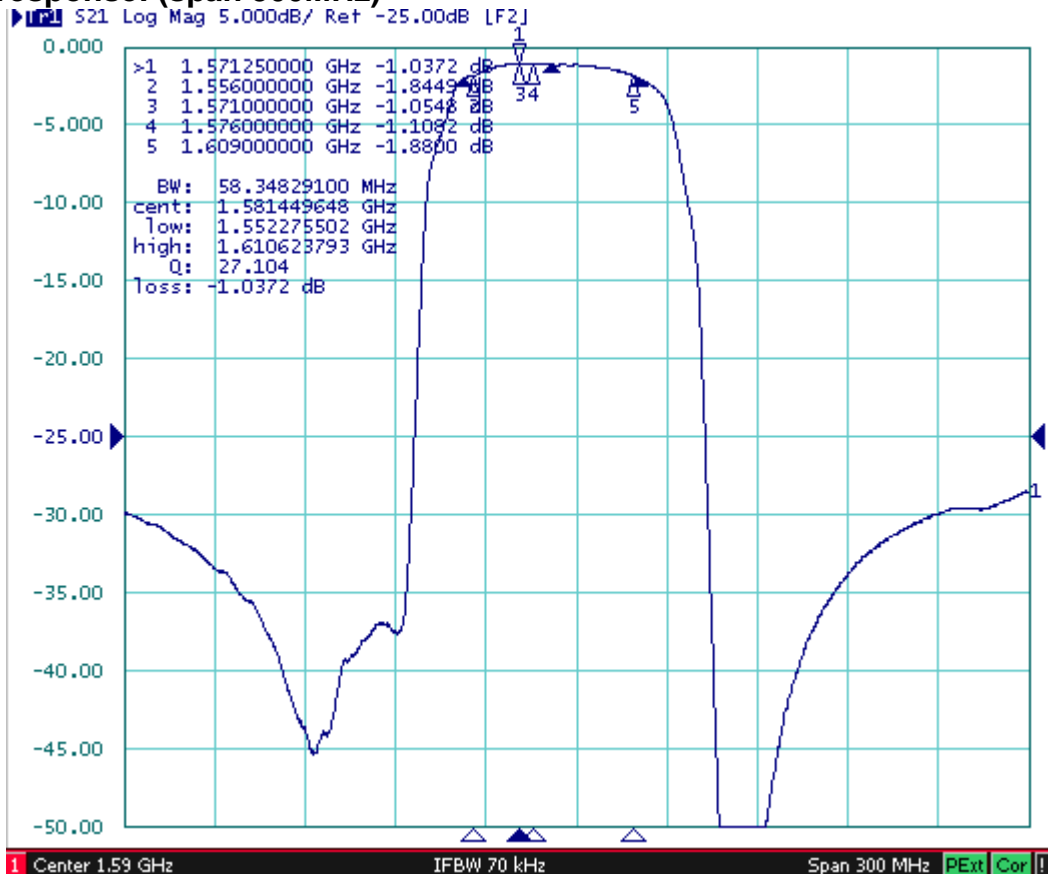
**: Year/Month Code (Follow the table)**

YEAR/Month	1	2	3	4	5	6	7	8	9	10	11	12
2013	A	B	C	D	E	F	G	H	J	K	L	M
2014	N	P	Q	R	S	T	U	V	W	X	Y	Z
2015	a	b	c	d	e	f	g	h	j	k	l	m
2016	n	p	q	r	s	t	u	v	w	x	y	z
2017	<u>A</u>	<u>B</u>	<u>C</u>	<u>D</u>	<u>E</u>	<u>F</u>	<u>G</u>	<u>H</u>	<u>J</u>	<u>K</u>	<u>L</u>	<u>M</u>
2018	<u>N</u>	<u>P</u>	<u>Q</u>	<u>R</u>	<u>S</u>	<u>T</u>	<u>U</u>	<u>V</u>	<u>W</u>	<u>X</u>	<u>Y</u>	<u>Z</u>
2019	<u>a</u>	<u>b</u>	<u>c</u>	<u>d</u>	<u>e</u>	<u>f</u>	<u>g</u>	<u>h</u>	<u>j</u>	<u>k</u>	<u>l</u>	<u>m</u>
2020	<u>n</u>	<u>p</u>	<u>q</u>	<u>r</u>	<u>s</u>	<u>t</u>	<u>u</u>	<u>v</u>	<u>w</u>	<u>x</u>	<u>y</u>	<u>z</u>

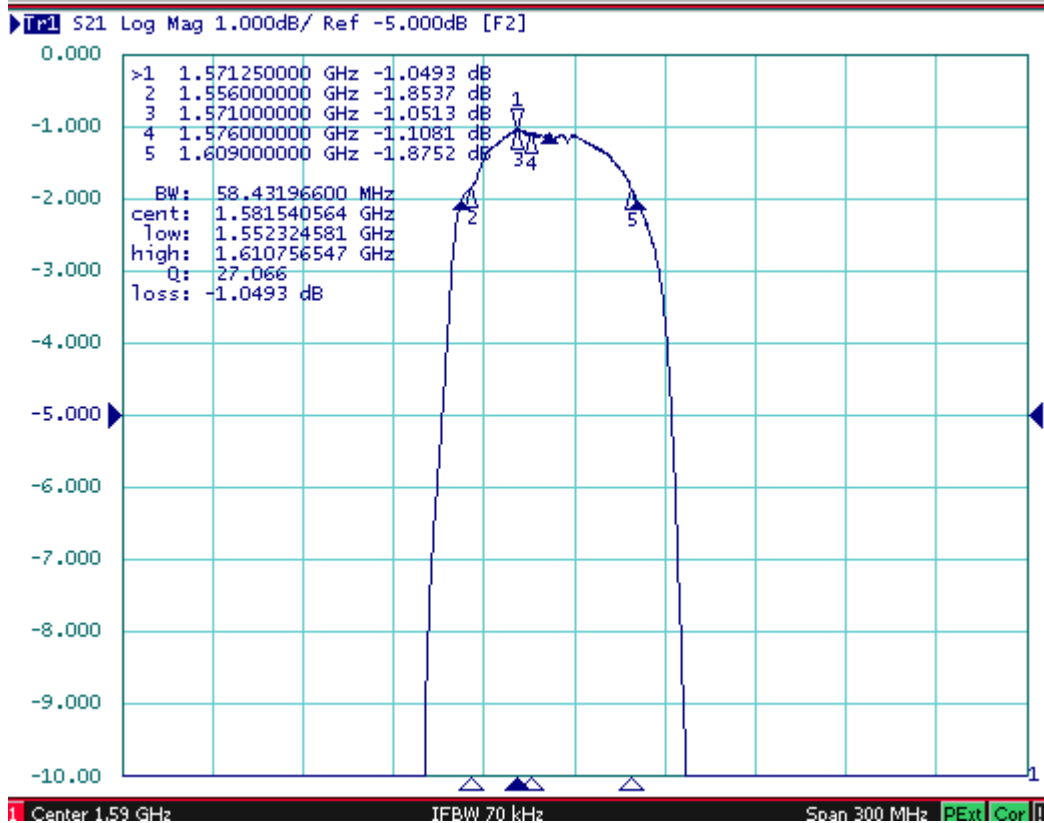
**D. MEASUREMENT CIRCUIT:**



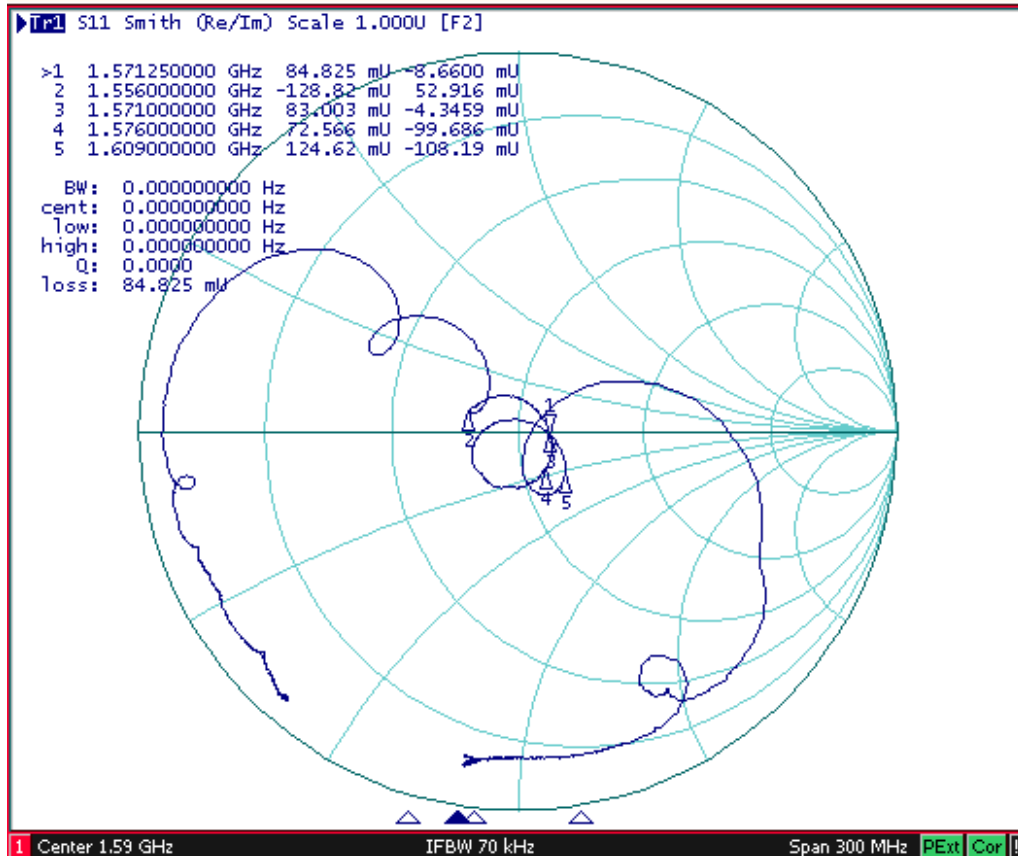
**E. Frequency Characteristics :**  
**S21 response: (span 300MHz)**



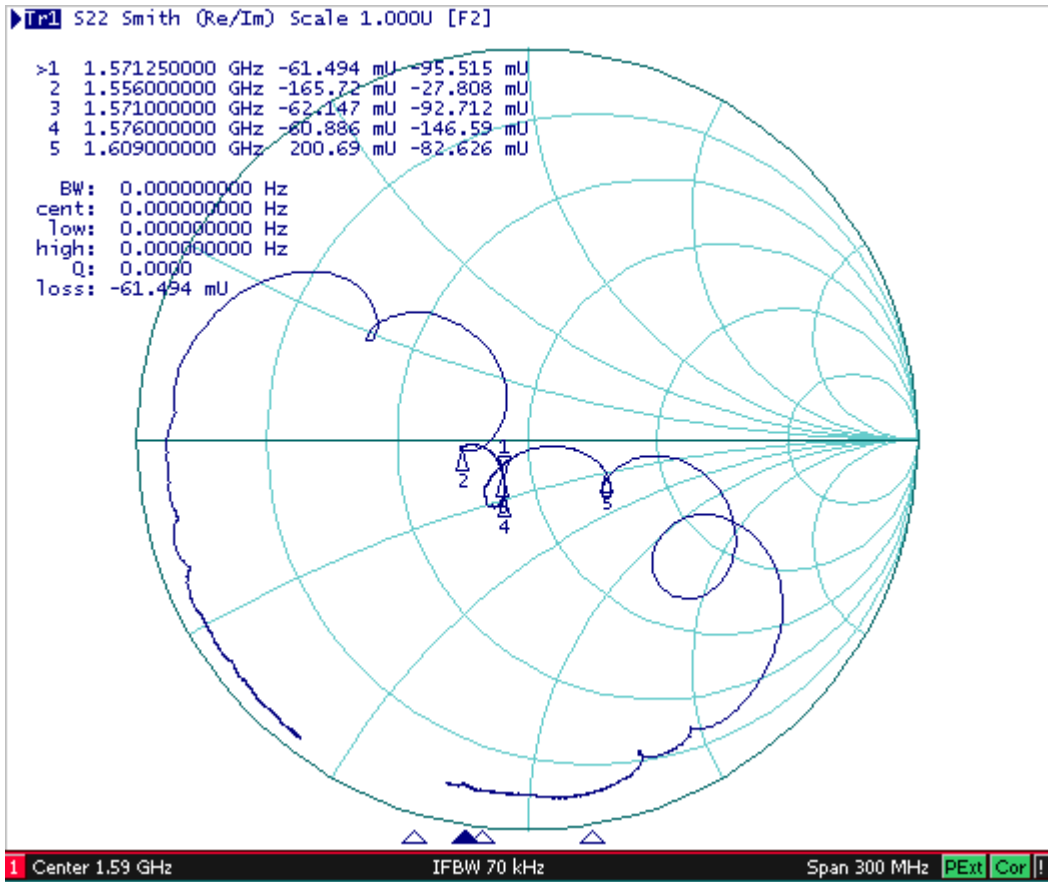
### S21 response: (span 300MHz)



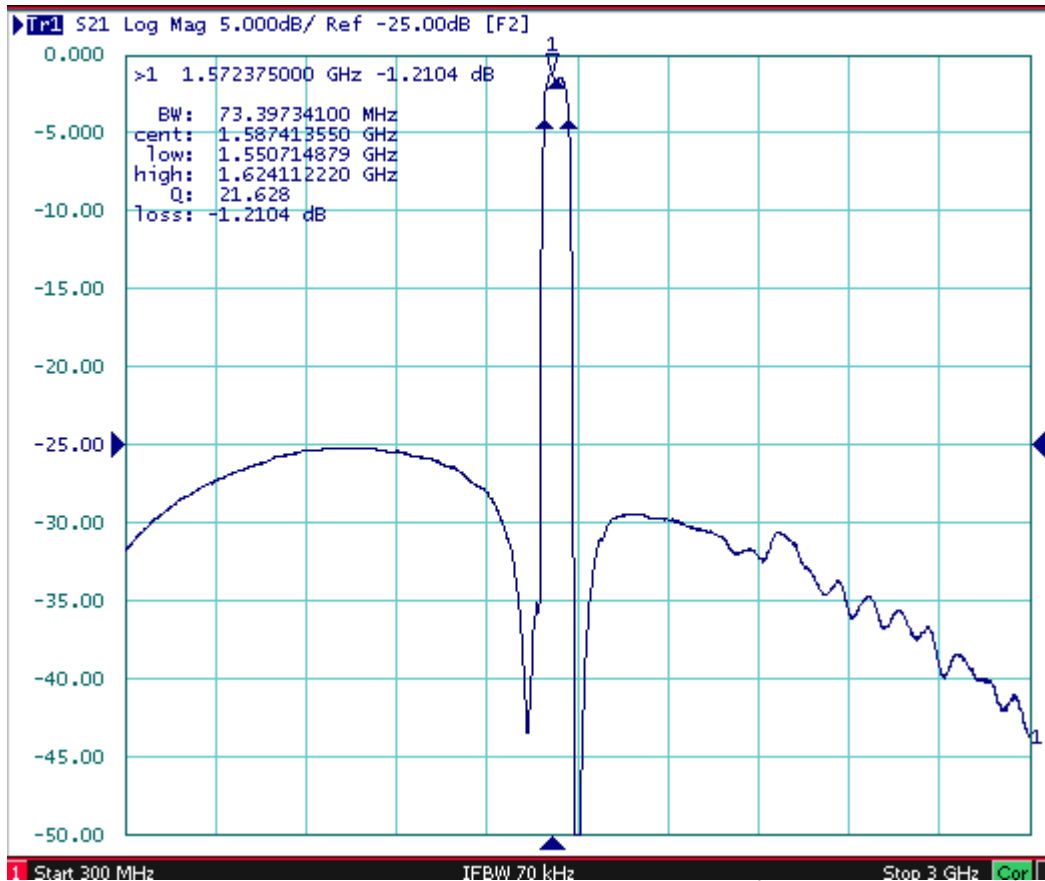
### S11 response :



**S22 response :**



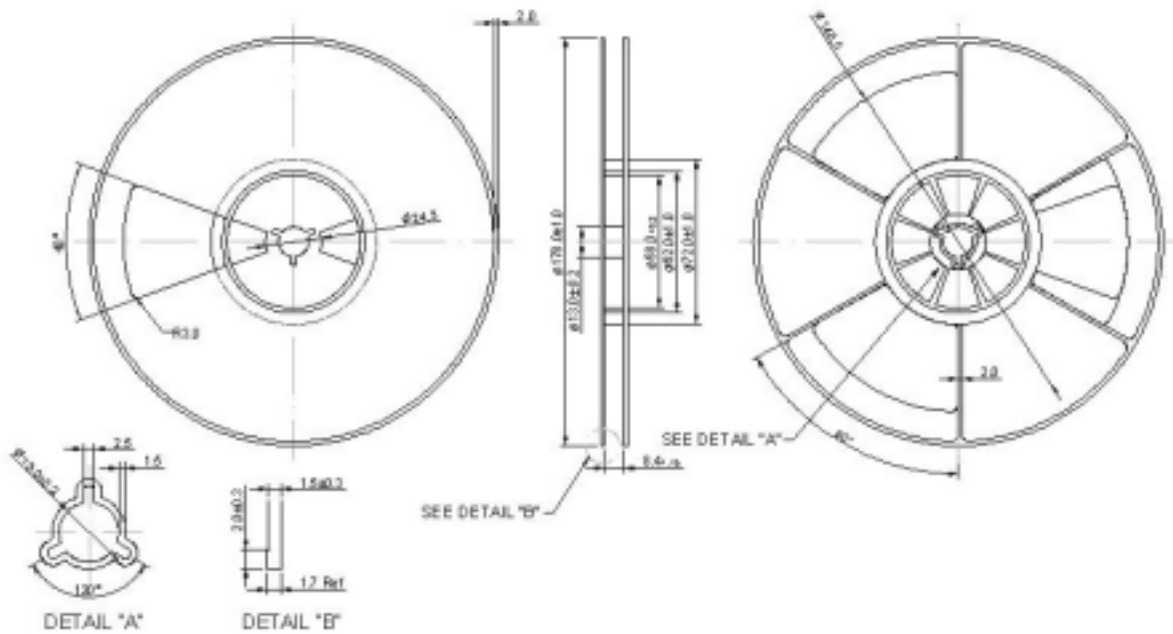
**S21 response: (span 3GHz)**



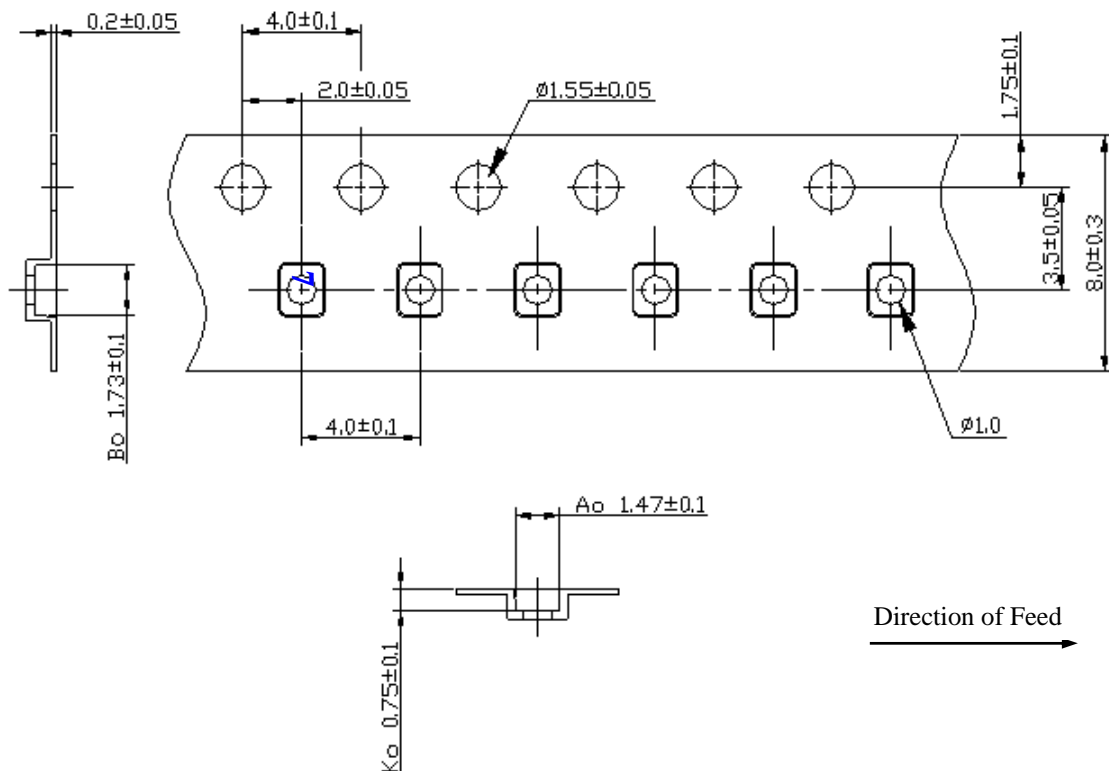
**F. PACKING:**

**1. REEL DIMENSION**

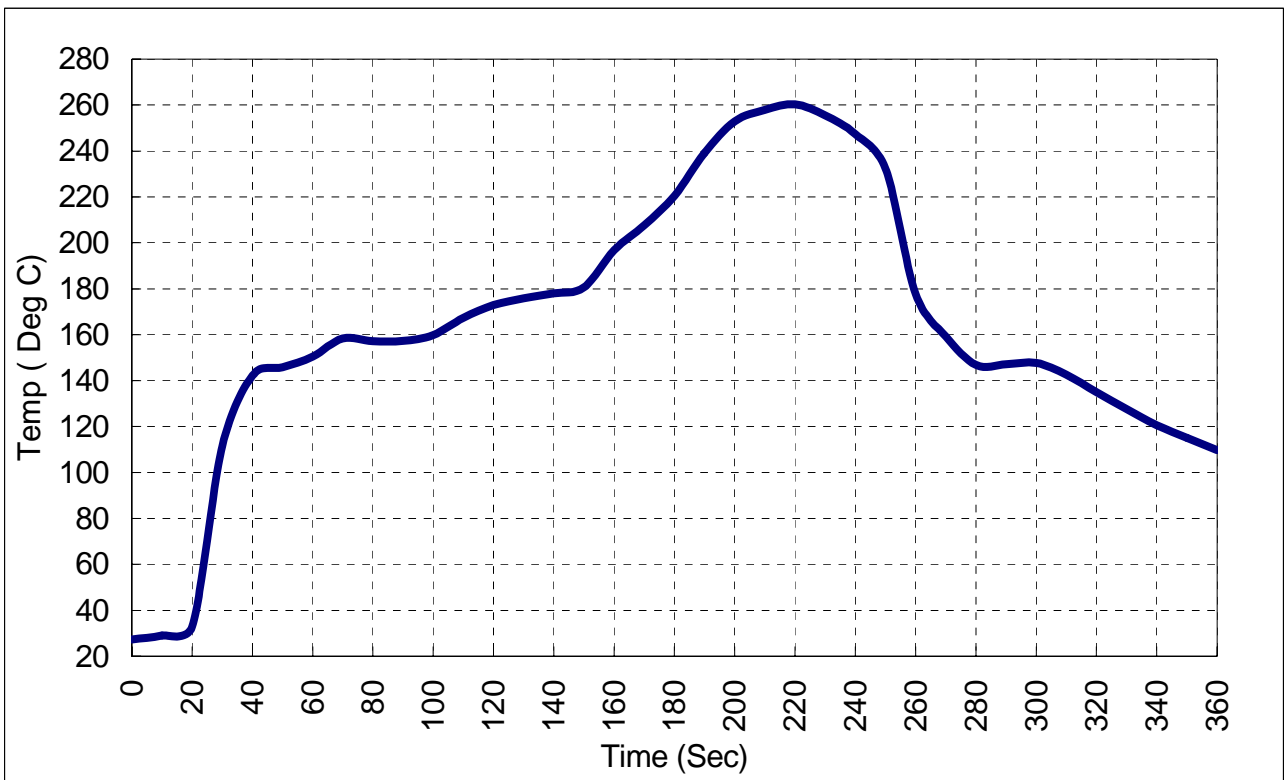
(Please refer to FR-75D10 for packing quantity)



**2. TAPE DIMENSION**



**G. RECOMMENDED REFLOW PROFILE :**





单击下面可查看定价，库存，交付和生命周期等信息

[>>TAI-SAW\(台湾嘉硕\)](#)