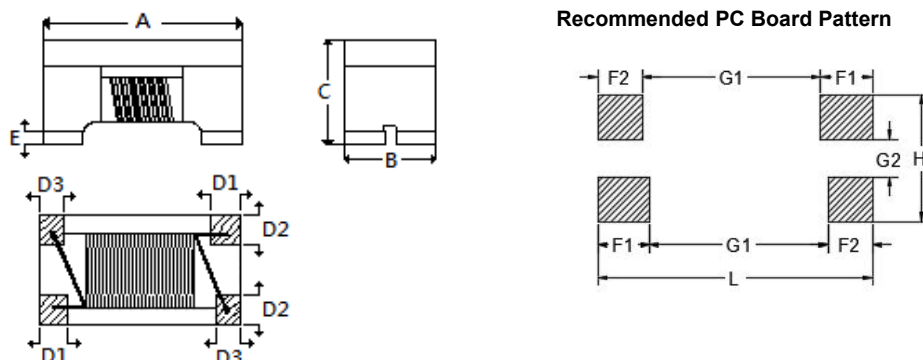


1. Features

1. High common mode impedance at high frequency effects excellent noise suppression performance.
2. DCM321620F2SV series realizes small size and low profile.
3. 100% Lead(Pb) & Halogen-Free and RoHS compliant.
4. High reliability -Reliability tests comply with AEC-Q200
5. Operating temperature-40~+105°C (Including self - temperature rise)



2. Dimension



Series	A(mm)	B(mm)	C(mm)	D1(mm)	D2(mm)	D3(mm)	E(mm)	L(mm)	H(mm)	G1(mm)	G2(mm)	F1(mm)	F2(mm)
321620F2SV	3.4±0.2	1.6±0.2	2.0±0.2	0.64±0.1	0.58±0.1	0.54±0.1	0.12 (typ.)	3.7	1.7	2.4	0.5	0.7	0.6

Units: mm

3. Part Numbering

DCM	321620	F	2	S	V	-	600	T	02
A	B	C	D	E	F		G	H	I

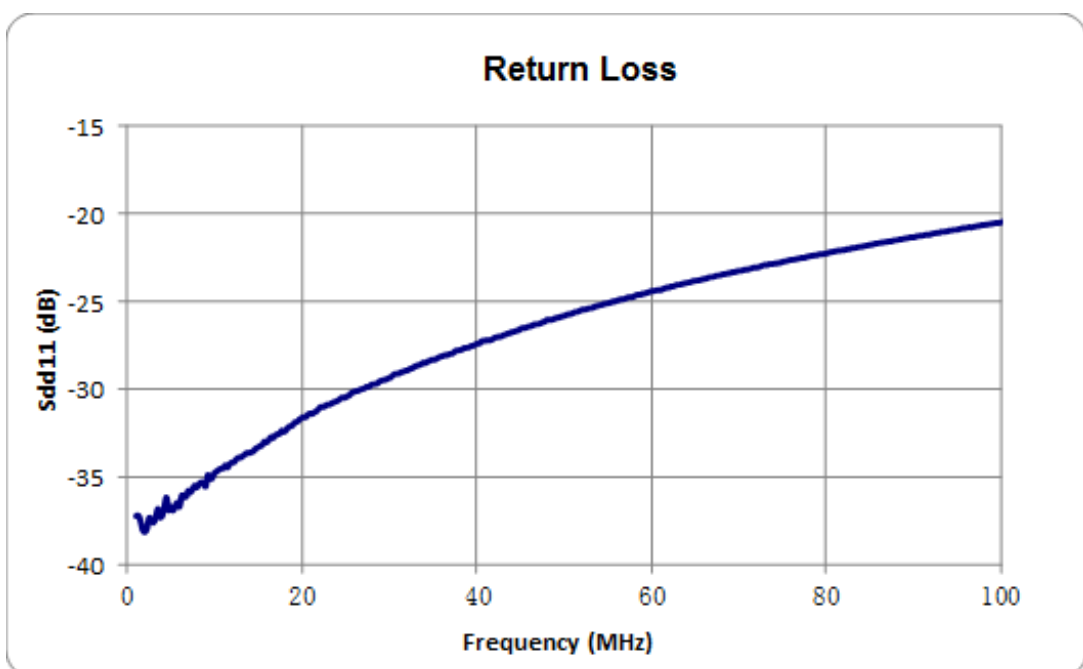
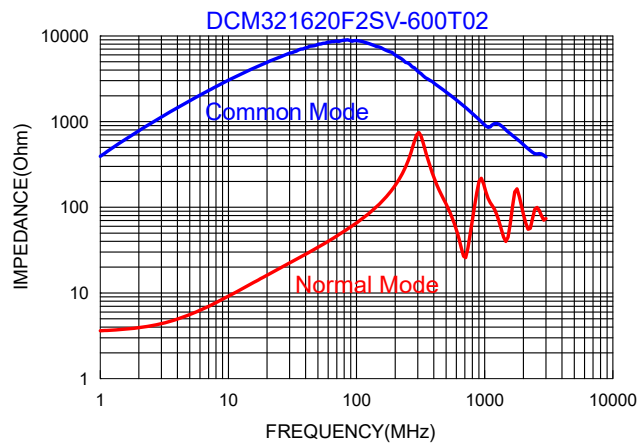
- A: Series
 B: Dimension
 C: Material Ferrite Core
 D: Number of Lines 2=2 lines
 E: Type S=Shielded , N=Unshielded
 F: Category Code V=Vehicle
 G: Inductance 600=60uH
 H: Packaging T=Taping and Reel
 I: Rated Current 02=200mA

4. Specification

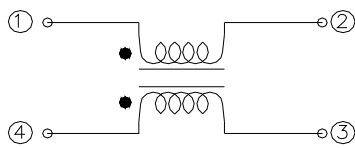
TAI-TECH Part Number	Inductance(uH) [100kHz/0.1V] Min.	Capacitance (pF)Max	Insertion loss 1-100MHz (dB)	Return loss 1-100MHz (dB)	DC Resistance (Ω)Max.	Rated Current (mA)	Rated Volt. (Vdc)	Withstand Volt. (Vdc) max.	IR(Ω) min.
DCM321620F2SV-600T02	60	14	-0.7 typ.	-20 typ.	1.1	200	50	125	10M

Note:

IEC 61000-4-5 Surge 10/700us 1.5KV (Differential mode)

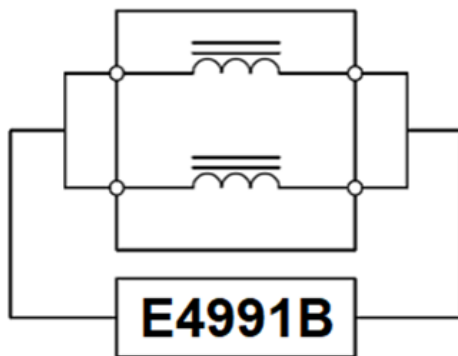


5. Schematic Diagram

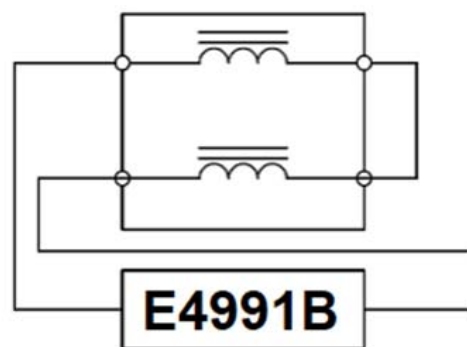


6. MEASURING CIRCUITS 2LINE

Common mode



Differential mode



单击下面可查看定价，库存，交付和生命周期等信息

[>>TAI-TECH\(台庆\)](#)