

SMD LAN Inductor for Capacitive Type LAN Module

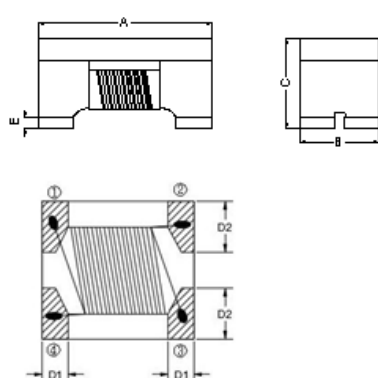
DCM3532F2SV-750T03

1. Features

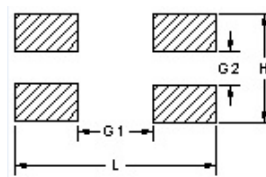
1. High common mode impedance at high frequency effects excellent noise suppression performance.
2. DCM3532F2SV series realizes small size and low profile. 3.5x3.2x2.3mm
3. 100% Lead(Pb) & Halogen-Free and RoHS compliant.
4. Operating temperature-40~+85°C (Including self - temperature rise)
5. High reliability -Reliability tests comply with AEC-Q200



2. Dimension



Recommended PC Board Pattern



| Series | A(mm) | B(mm) | C(mm) | D1(mm) | D2(mm) | L(mm) | H(mm) | G1(mm) | G2(mm) |
|----------|---------|---------|---------|----------|----------|-------|-------|--------|--------|
| 3532F2SV | 3.5±0.2 | 3.2±0.2 | 2.3±0.2 | 0.63±0.1 | 1.18±0.1 | 4.40 | 3.80 | 2.45 | 0.90 |

Units: mm

3. Part Numbering

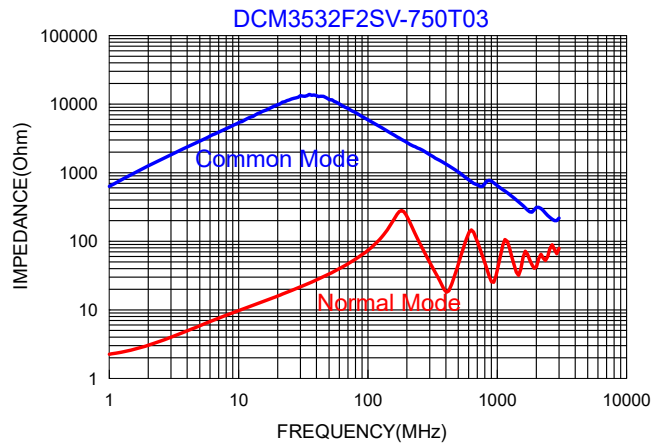
DCM 3532 F 2 S V - 750 - T03

A B C D E F G H

A: Series
 B: Dimension
 C: Material Ferrite Core
 D: Number of Lines 2=2 lines
 E: Type S=Shielded
 F: Category Code V=Vehicle
 G: Inductance 750=75 μ H
 H: Rated Current 03=300mA

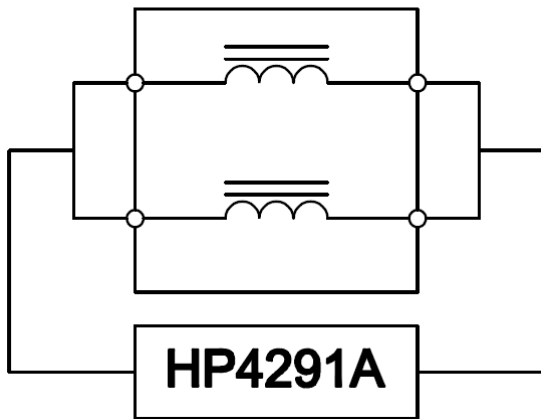
4. Specification

| TAI-TECH Part Number | Inductance(μ H) [100kHz/0.1V] Min. | DC Resistance (Ω)Max. | Rated Current (mA) | Rated Volt. (Vdc) | Withstand Volt. (Vdc) max. | IR(Ω) min. |
|-------------------------|---|-----------------------------------|--------------------------|----------------------|----------------------------------|---------------------|
| DCM3532F2SV-750T03 | 75 | 0.8 | 300 | 50 | 125 | 10M |

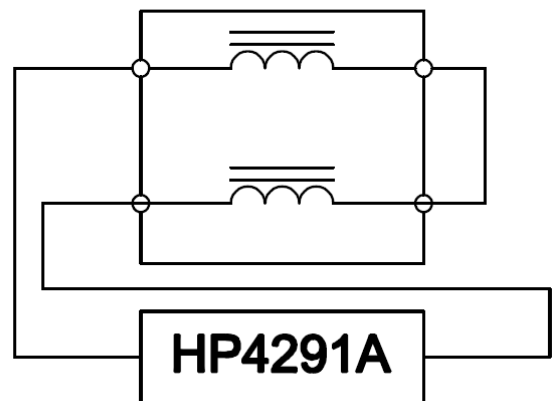


5. MEASURING CIRCUITS 2LINE

Common mode



Differential mode



单击下面可查看定价，库存，交付和生命周期等信息

[>>TAI-TECH\(台庆\)](#)