

# Transponder Coils

PASU3225V-SERIES

## 1. Features

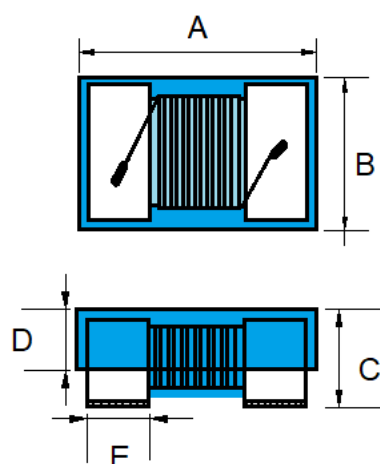
1. Suitable for pick and place and AOI (Automatic Optical Inspection)
2. PASU3225V-series realizes small size and low profile. 3.2x2.5x2.2mm.
3. 100% Lead(Pb) & Halogen-Free and RoHS compliant.
4. Suitable for lead-free reflow soldering
5. High reliability -Reliability tests comply with AEC-Q200
6. Operating temperature -55~+125°C (Including self - temperature rise)



## 2. Applications

1. T-coil/HAC-coil for hearing and aid compatible cell phones.
2. Decoupling in RF and IF-circuit.
3. Transponder antenna.

## 3. Dimension



Size	A	B	C	D	E
PASU3225	3.20±0.30	2.50±0.30	2.20±0.30	1.80 ref.	0.65±0.10

Unit:mm

## 4. Part Numbering

<b>PASU</b>	<b>3225</b>	<b>V</b>	-	<b>102</b>	<b>J</b>
A	B	C		D	E

A: Series

B: Dimension

C: Category Code

D: Inductance

E: Inductance Tolerance

L x W

V=Vehicle

102=1080uH

J =±5%, K =±10%, M =±20%

## 5. Specification

TAI-TECH Part Number	Inductance (uH)	Tolerance	Test Frequency(Hz)	Q min.	Test Frequency(KHz)	IDC (mA) max.	DCR(Ω) max.	SRF(MHz) Typ.
PASU3225V-102□	1080	J,K,M	0.1V/125K	15	125K	50	35	1.5
PASU3225V-132□	1340	J,K,M	0.1V/125K	15	125K	50	42	1.5

单击下面可查看定价，库存，交付和生命周期等信息

[>>TAI-TECH\(台庆\)](#)