

Features

- * 140W peak pulse power (8/20 μ s)
- * Protects one data or power line
- * Ultra low leakage: nA level
- * Operating voltage: 24V
- * Ultra low clamping voltage
- * Complies with following standards:
 - IEC 61000-4-2 (ESD) immunity test
 - Air discharge: ± 30 kV
 - Contact discharge: ± 30 kV
 - IEC61000-4-4 (Lightning) 4A (8/20ns)

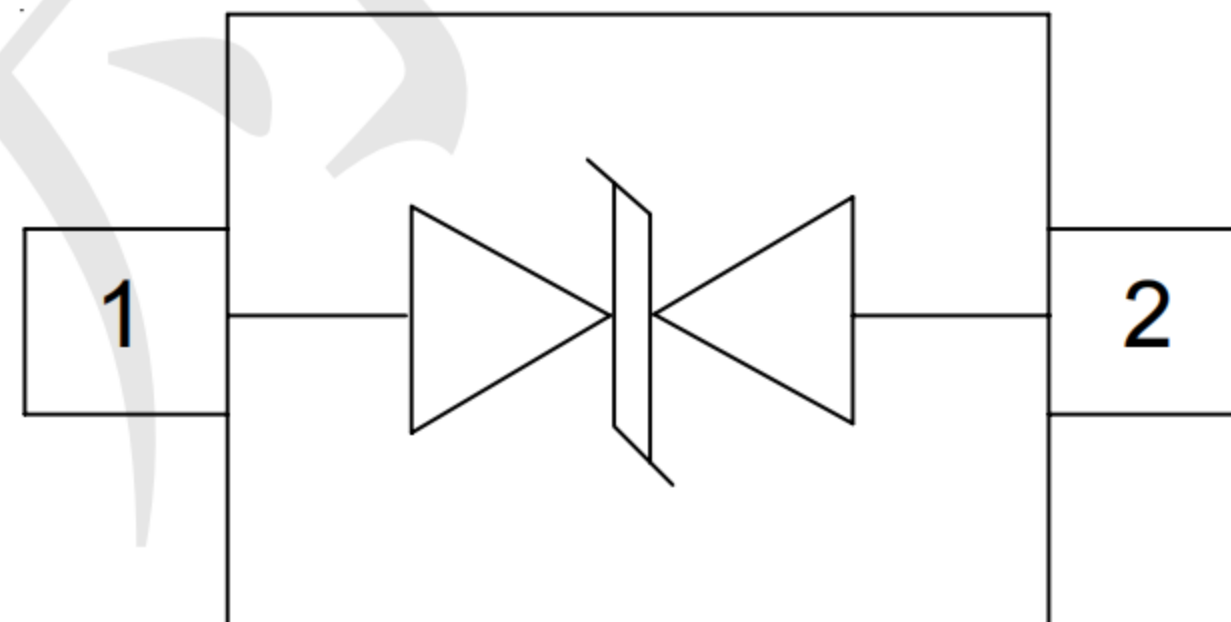
Mechanical Characteristics

- * Package: SOD-323
- * Lead Finish: Matte Tin
- * Case Material: "Green" Molding Compound.
- * UL Flammability Classification Rating 94V-0
- * Moisture Sensitivity: Level 3 per J-STD-020
- * Terminal Connections: See Diagram Below

Applications

- * Cellular Handsets and Accessories
- * Personal Digital Assistants
- * Notebooks and Handhelds
- * Portable Instrumentation
- * Peripherals
- * Pagers Peripherals

Dimensions and Pin Configuration

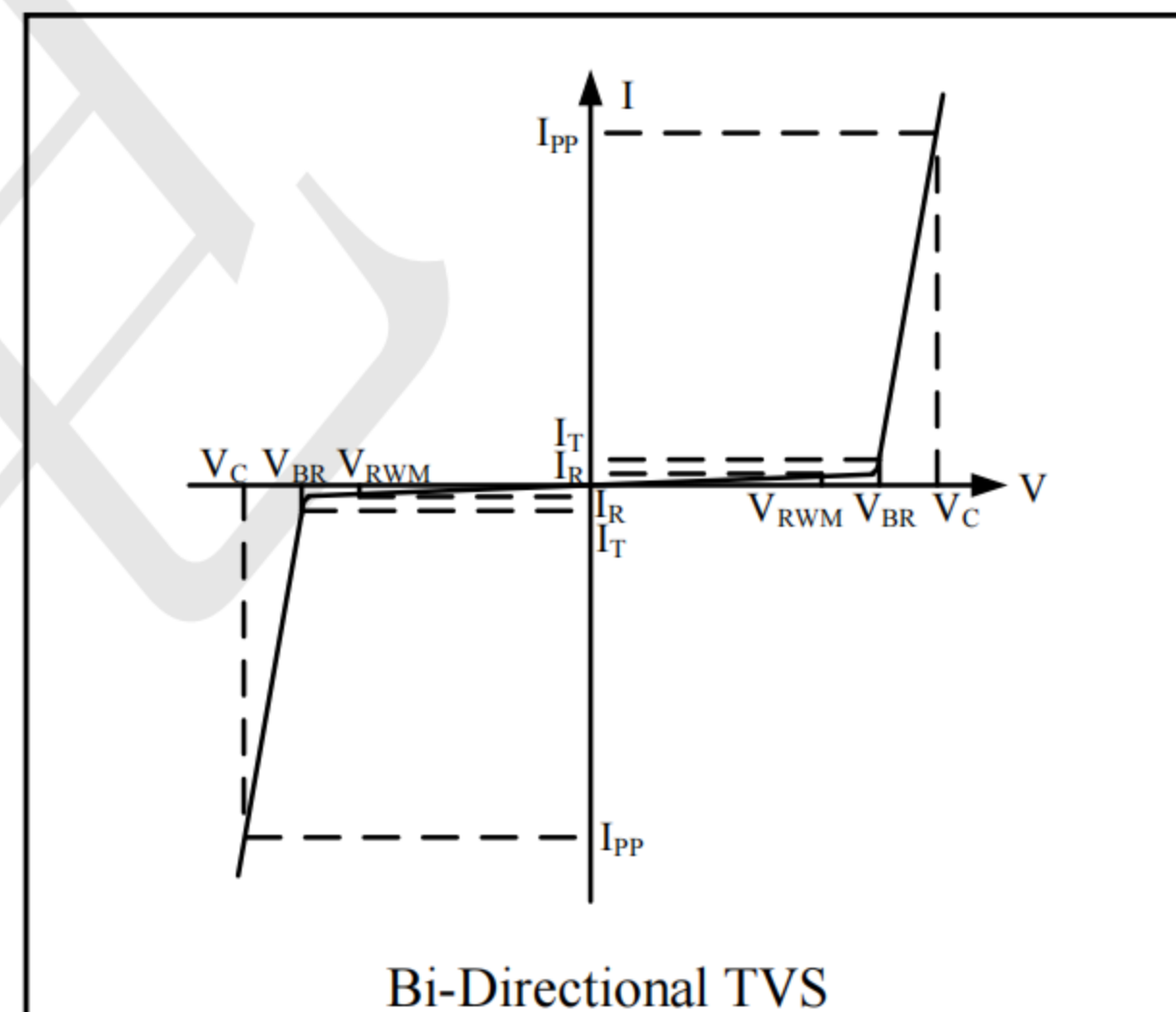


Absolute Maximum Ratings ($T_{amb}=25^{\circ}C$ unless otherwise specified)

| Parameter | Symbol | Value | Unit |
|-----------------------------------|--------|-------------|-------------|
| Peak Pulse Power (8/20 μ s) | Ppk | 140 | W |
| Peak Pulse Current (8/20 μ s) | IPP | 4 | A |
| ESD per IEC 61000-4-2 (Air) | VESD | ± 30 | kV |
| ESD per IEC 61000-4-2 (Contact) | | ± 30 | |
| Operating Temperature Range | TJ | -55 to +125 | $^{\circ}C$ |
| Storage Temperature Range | Tstg | -55 to +150 | $^{\circ}C$ |

Electrical Characteristics ($T_A=25^{\circ}C$ unless otherwise specified)

| Symbol | Parameter |
|-----------|-------------------------------------|
| V_{RWM} | Nominal Reverse Working Voltage |
| I_R | Reverse Leakage Current @ V_{RWM} |
| V_{BR} | Reverse Breakdown Voltage @ I_T |
| I_T | Test Current for Reverse Breakdown |
| V_C | Clamping Voltage @ I_{PP} |
| I_{PP} | Maximum Peak Pulse Current |
| C_{ESD} | Parasitic Capacitance |
| V_R | Reverse Voltage |
| f | Small Signal Frequency |



| Parameter | Symbol | Min | Typ | Max | Unit | Test Condition |
|-------------------------|-----------|-----|-----|-----|---------|--------------------------------------|
| Reverse Working Voltage | V_{RWM} | | | 24 | V | |
| Breakdown Voltage | V_{BR} | 26 | 28 | 31 | V | $I_T = 1mA$ |
| Reverse Leakage Current | I_R | | | 0.1 | μA | $V_{RWM} = 24V$ |
| Forward Voltage | V_F | | 0.8 | 1.2 | V | $I_F = 10mA$ |
| Clamping Voltage | V_C | | | 37 | V | $I_{PP} = 1A$ (8 x 20 μ s pulse) |
| Clamping Voltage | V_C | | | 40 | V | $I_{PP} = 4A$ (8 x 20 μ s pulse) |
| Junction Capacitance | C_J | | 11 | | pF | $V_R = 0V, f = 1MHz$ |

Fig1. 8/20 μ s Pulse Waveform

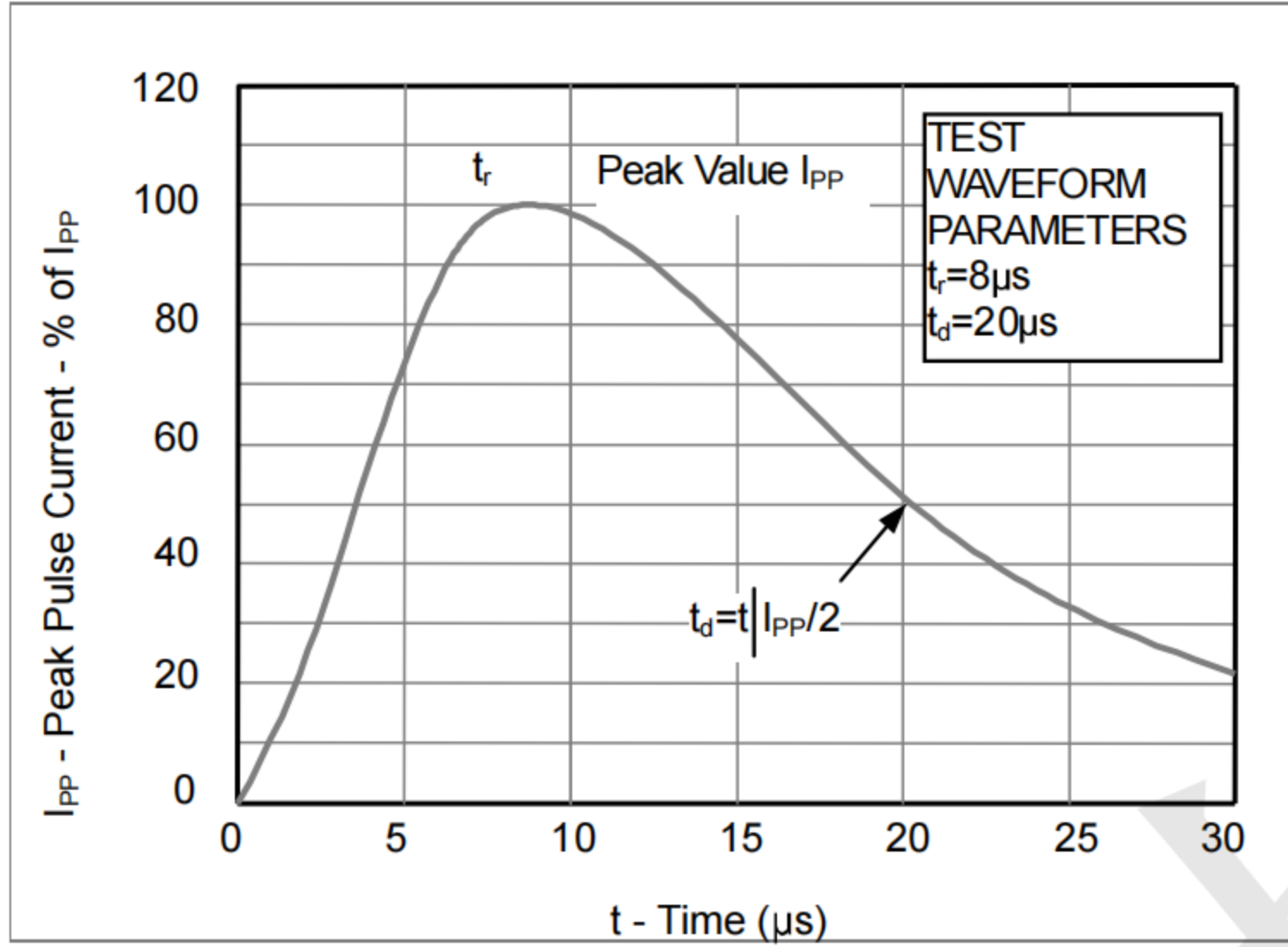


Fig2. ESD Pulse Waveform (according to IEC 61000-4-2)

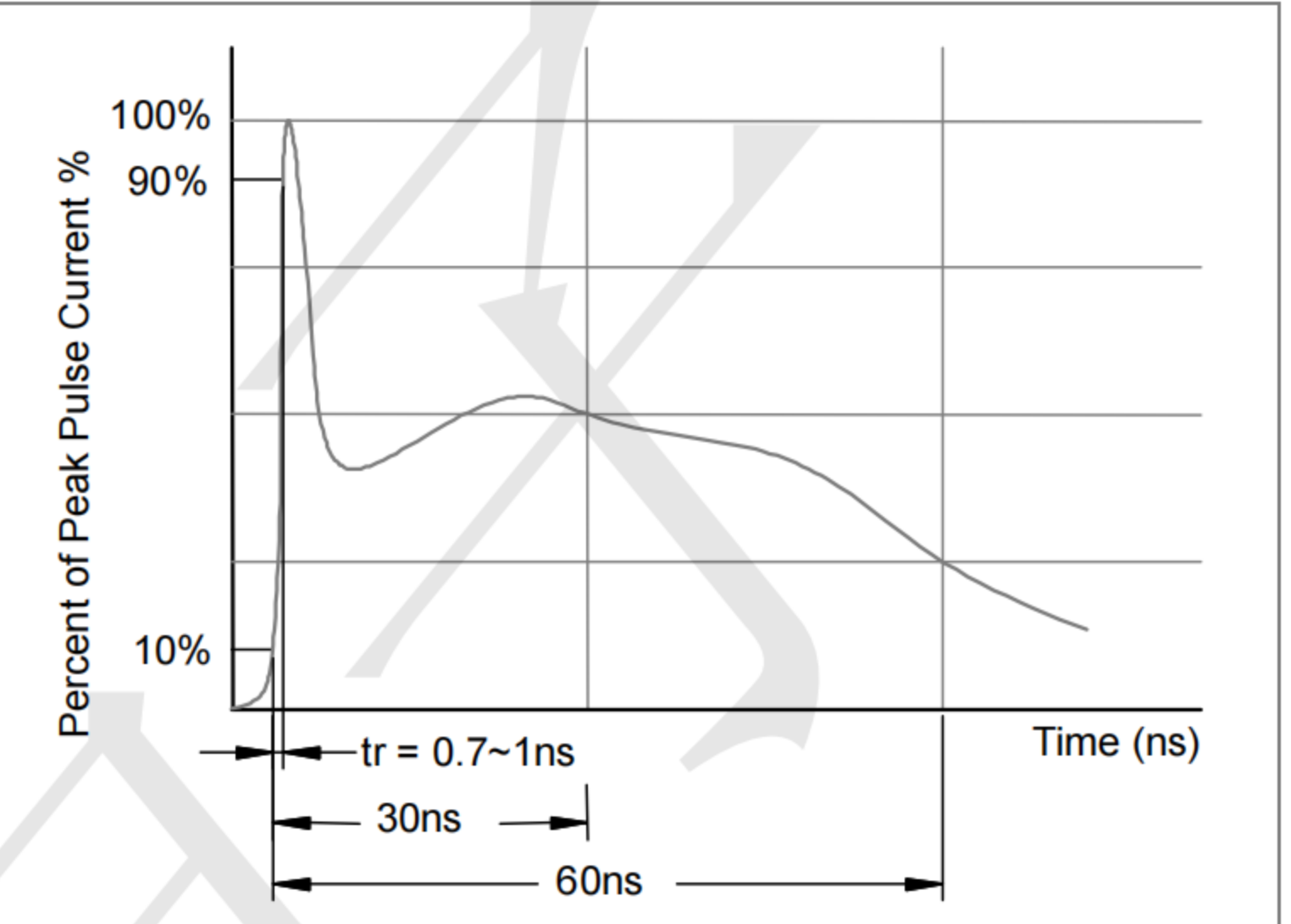
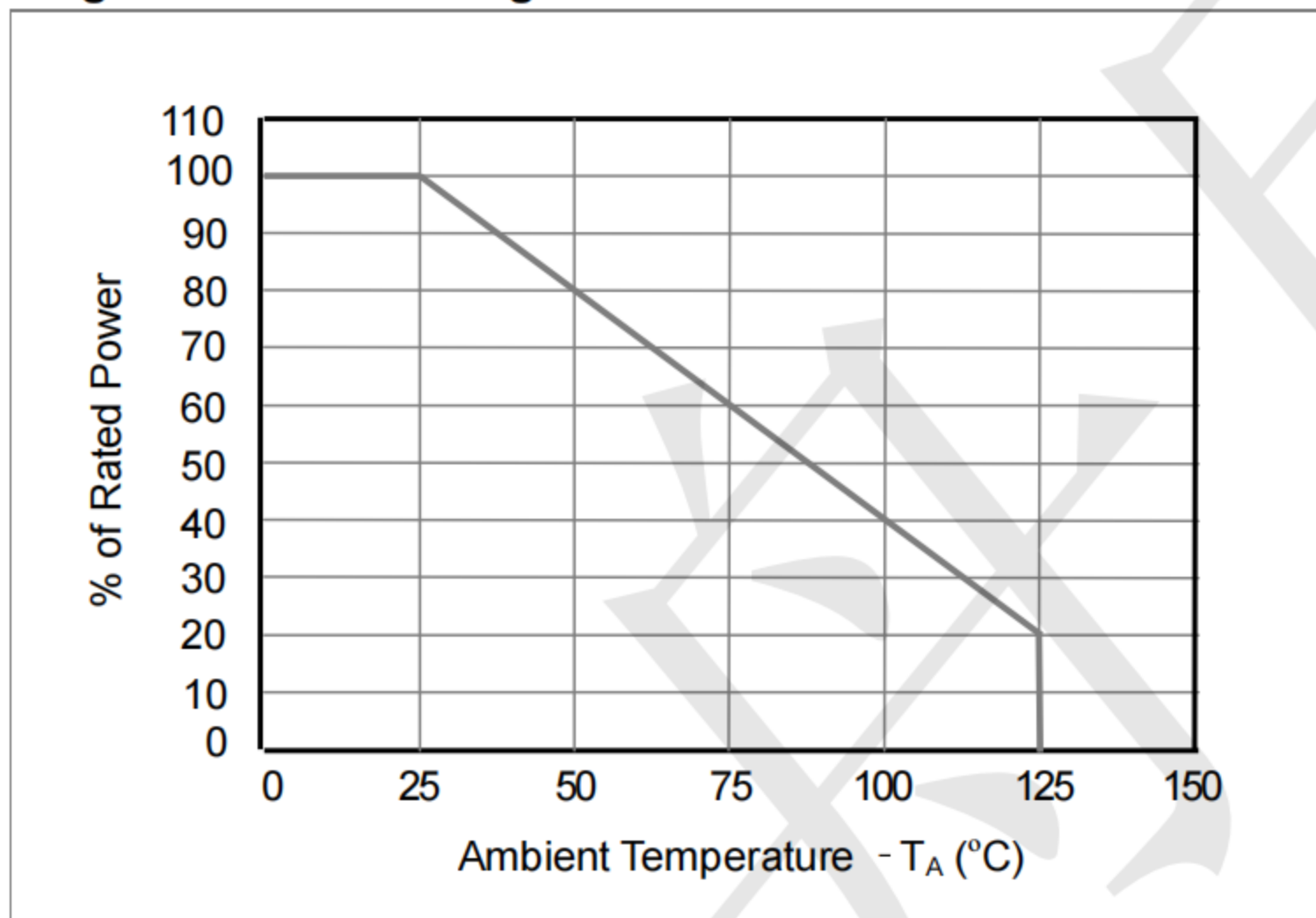
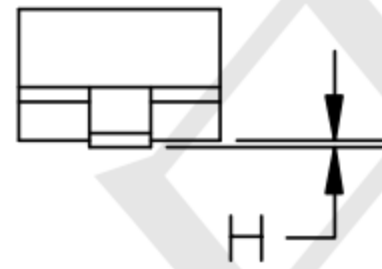
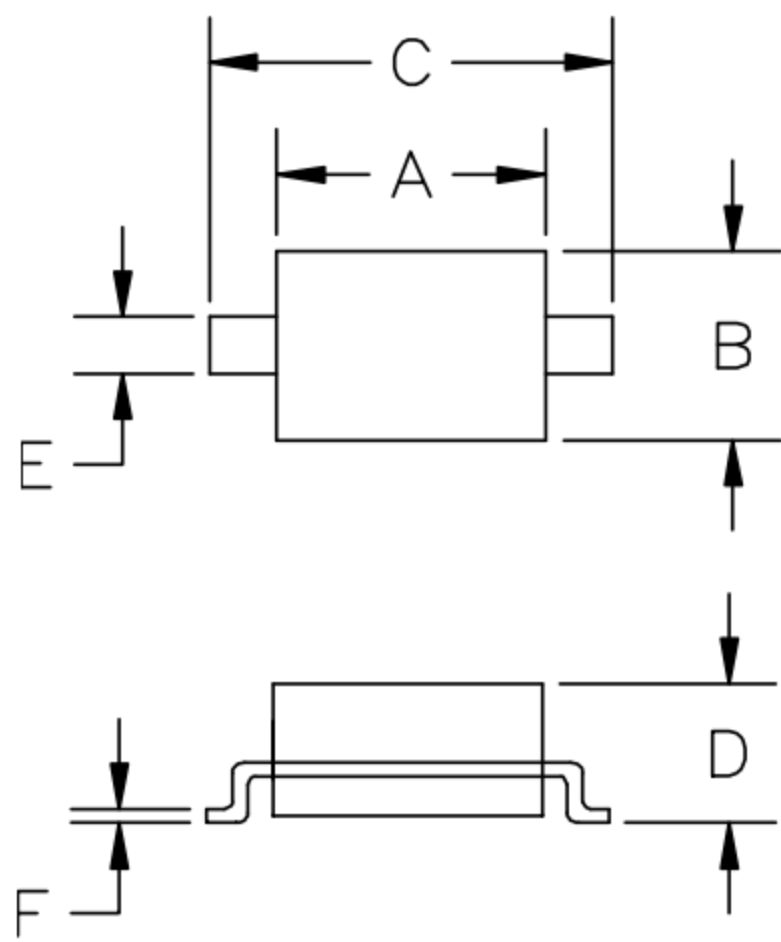


Fig3. Power Derating Curve

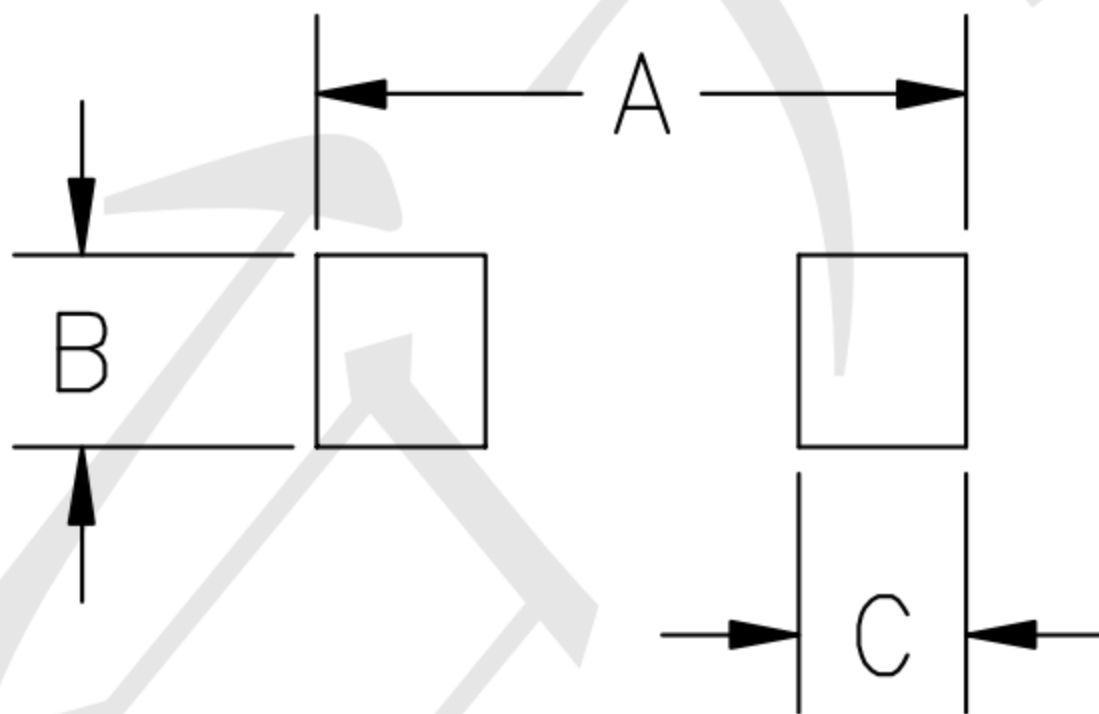


Outline Drawing - SOD-323



| SYM | DIMENSIONS | | | |
|-----|-------------|------|--------|-------|
| | MILLIMETERS | | INCHES | |
| | MIN | MAX | MIN | MAX |
| A | 1.50 | 1.80 | 0.060 | 0.071 |
| B | 1.20 | 1.40 | 0.045 | 0.054 |
| C | 2.30 | 2.70 | 0.090 | 0.107 |
| D | - | 1.10 | - | 0.043 |
| E | 0.30 | 0.40 | 0.012 | 0.016 |
| F | 0.10 | 0.25 | 0.004 | 0.010 |
| H | - | 0.10 | - | 0.004 |

Land Pattern - SOD-323



| SYM | DIMENSIONS | |
|-----|-------------|--------|
| | MILLIMETERS | INCHES |
| A | 3.15 | 0.120 |
| B | 0.80 | 0.031 |
| C | 0.80 | 0.031 |

单击下面可查看定价，库存，交付和生命周期等信息

[>>TECH PUBLIC\(台舟\)](#)