

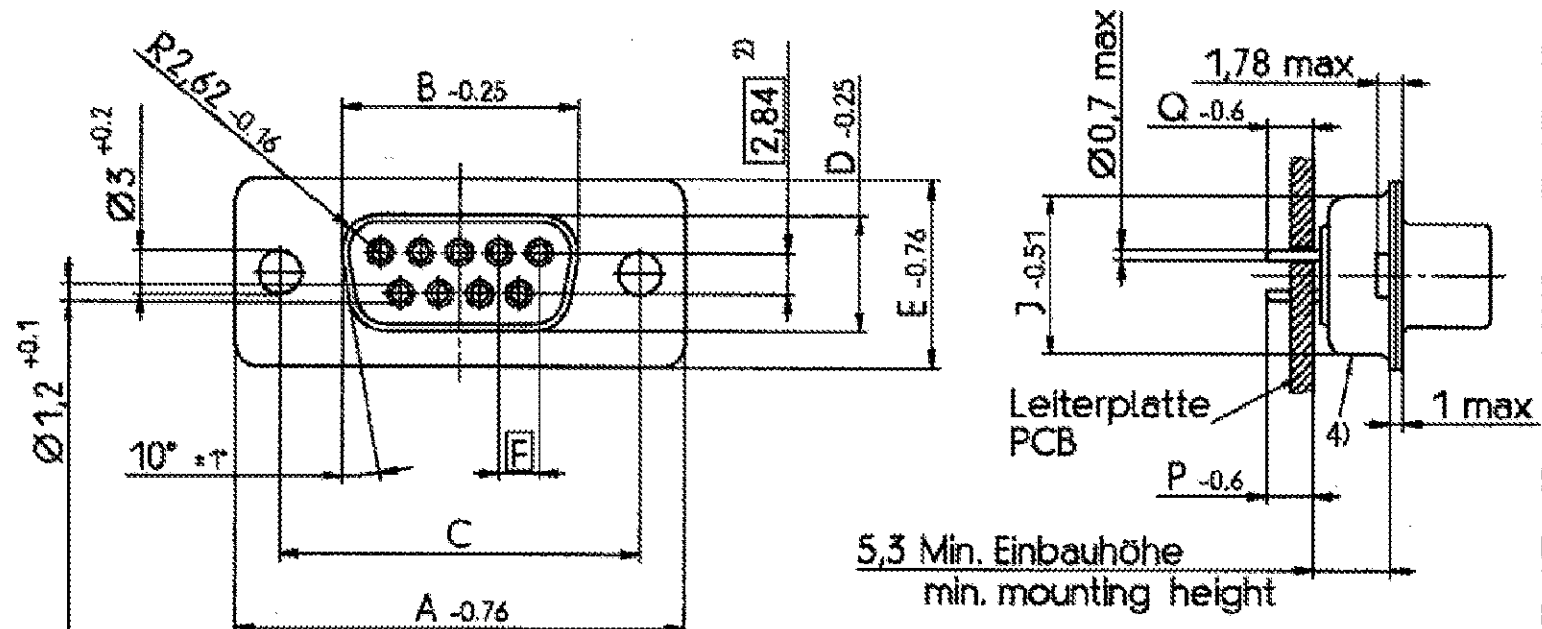
THIS INFORMATION IS CONFIDENTIAL AND PROPRIETARY TO TYCO ELECTRONICS CORPORATION AND ITS WORLDWIDE SUBSIDIARIES AND AFFILIATES. IT MAY NOT BE DISCLOSED TO ANYONE, OTHER THAN TYCO ELECTRONICS PERSONNEL, WITHOUT WRITTEN AUTHORIZATION FROM TYCO ELECTRONICS CORPORATION, HARRISBURG, PENNSYLVANIA, USA

Standardausführung: V42254-A2115-B\*\*\* V42254-A2415-B\*\*\* 3)  
 standard type: V42254-A2117-B\*\*\* V42254-A2417-B\*\*\* 3)  
 V42254-A2315-B\*\*\* V42254-A2515-B\*\*\* 3)  
 V42254-A2317-B\*\*\* V42254-A2517-B\*\*\* 3)

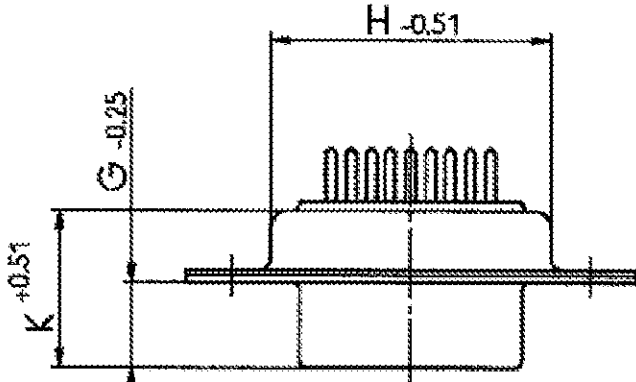
- 1) nach DIN 41652 T.2 und T.4
- 2) Bemerkung: 50-polig: dreireihig
- 3) nicht für 50-polig
- 4) keine TE-Beschriftung bei:  
 V42254-A2\*17-B\*\*\* V42254-A2132-B\*\*\* V42254-A2152-B\*\*\*  
 V42254-A2\*18-B\*\*\* V42254-A2133-B\*\*\* V42254-A2153-B\*\*\*  
 V42254-A2122-B\*\*\* V42254-A2142-B\*\*\*
- 5) Rille zur optischen Erkennung der Bolzentypen mit M3-Gewinde
- 6) Blechteile örtlich herunter gedrückt
- 7) Nur bei Ausführung mit Lötstiftlänge P = 3,2mm
- 8) Sicke nur bei den 4 äußeren Masselötstiften.

- 1) according to DIN 41652 p.2 and p.4
- 2) note: 50-contact version: 3 contact rows
- 3) not for 50-contact version
- 4) no TE-marking for:  
 V42254-A2\*17-B\*\*\* V42254-A2132-B\*\*\* V42254-A2152-B\*\*\*  
 V42254-A2\*18-B\*\*\* V42254-A2133-B\*\*\* V42254-A2153-B\*\*\*  
 V42254-A2122-B\*\*\* V42254-A2142-B\*\*\*
- 5) groove in the stud bolts with M3 thread (visual recognition)
- 6) shells pressed down locally
- 7) only for versions with soldering-pin length of P = 3,2mm
- 8) only the four corner grounding soldering-pins have a rib

9 OBSOLETE PARTS: OBSOLETE CIS STREAMLINING PER D.RENAUD/D.SINISI  
 10 OBSOLETE



alle Kontakte  
 all contacts  
 Ø 0.08



Ordering code Sachnr. V42254-A2*1*-	dimension Maß Polzahl No. of contacts	A	B	C	D	E	F	G	H	J	K
B*09	09	31.19	16.46	25.0 ±0.12 ±0.13	8.02	12.93	2.74	6.3	19.53	10.97	10.64
B*15	15	39.52	24.79	33.3 ±0.15 ±0.1	8.02	12.93	2.74	6.3	27.76	10.97	10.64
B*25	25	53.42	38.5	47.04 ±0.13 ±0.13	8.02	12.93	2.76	6.3	41.53	10.97	10.64
B*37	37	69.7	54.96	63.5 ±0.13 ±0.13	8.02	12.93	2.76	6.3	57.96	10.97	10.64
B*50	50 <sup>2)</sup>	67.31	52.55	61.1 ±0.14 ±0.14	10.87	15.75	2.76	6.3	55.58	13.82	10.64

V42254-	P	Q
A211*-+***	3.2	3.2
A231*-+***	5.55	5.55
A241*-+*** <sup>3)</sup>	1.55	1.55
A251*-+*** <sup>3)</sup>	13.65	14.05

Anforderungsstufe,  
 performance level<sup>1)</sup>

dargestellt wird die 9-polige Ausführung  
 drawn is the 9-contacts version

**TE Connectivity**

SCALE 2:1 WEIGHT

MATERIAL

DATE 01.03.90  
 NAME Embo  
 DEP. PE Com PE&SE

PART NAME Sub-D Loetstiften gerade  
 Buchserleiste  
 D-Sub straight soldering pins  
 female connector

PART NO. V42254-A2\*\*\*-B\*\*\*-\*-27

Customer Drawing Nr. C-7-1393483-1

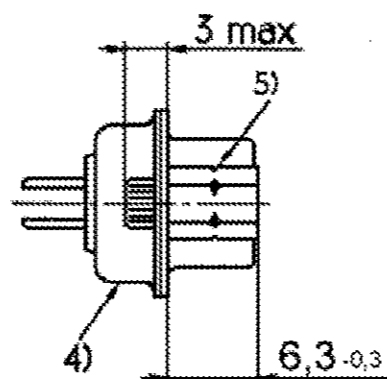
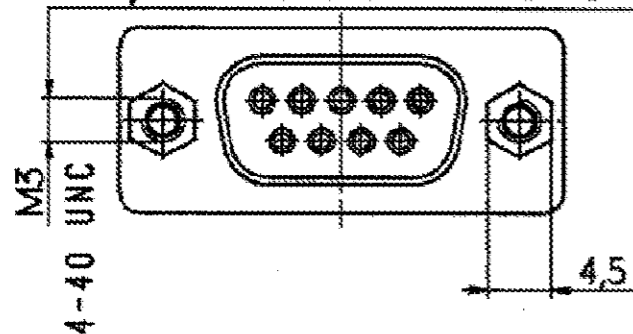
REV. CHANGE ORDER DATE APP.

PROPRIETARY:

mit Gewindebolzen:  
with screwlock stud bolts:

- M3: 4-40 UNC:
- |                      |                      |
|----------------------|----------------------|
| V42254-A2119-B***    | V42254-A2116-B***    |
| V42254-A2319-B***    | V42254-A2316-B***    |
| V42254-A2419-B*** 3) | V42254-A2416-B*** 3) |
| V42254-A2519-B*** 3) | V42254-A2516-B*** 3) |
|                      | V42254-A2118-B***    |
|                      | V42254-A2318-B***    |
|                      | V42254-A2418-B*** 3) |
|                      | V42254-A2518-B*** 3) |

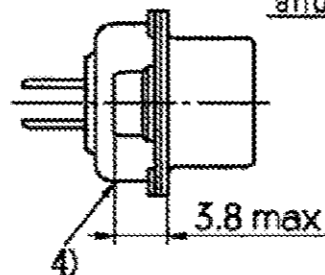
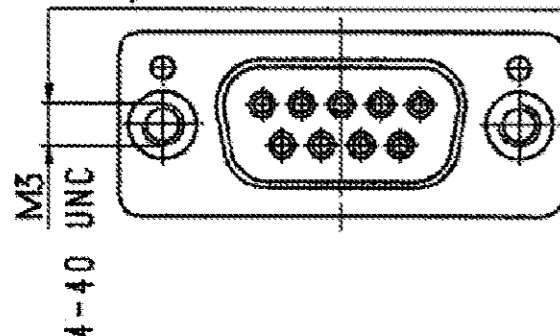
Verdrehsicherheit  $\geq 70$  Ncm  
torque retention  $\geq 70$  Ncm



mit Stop-Mutter / Gewindeeinsatz:  
with thread:

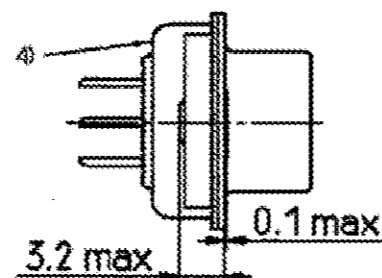
- M3: 4-40 UNC:
- |                      |                      |
|----------------------|----------------------|
| V42254-A2114-B*** 3) | V42254-A2112-B*** 3) |
| V42254-A2314-B*** 3) | V42254-A2312-B*** 3) |
| V42254-A2414-B***    | V42254-A2412-B***    |
| V42254-A2514-B***    | V42254-A2512-B***    |

Verdrehsicherheit  $\geq 130$  Ncm  
torque retention  $\geq 130$  Ncm

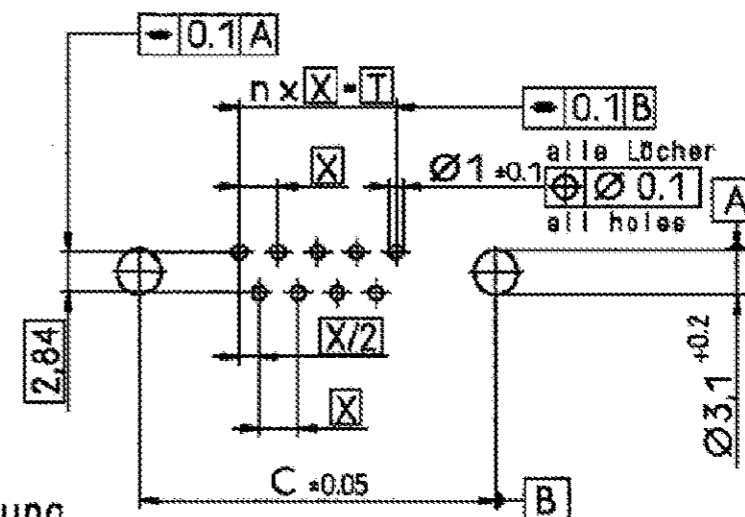


mit Stop-Mutter (für 9-, 15-, 25- u. 37-pol Ausführung):  
with self locking press-in nuts (for 9-, 15-, 25-  
and 37-contacts versions):

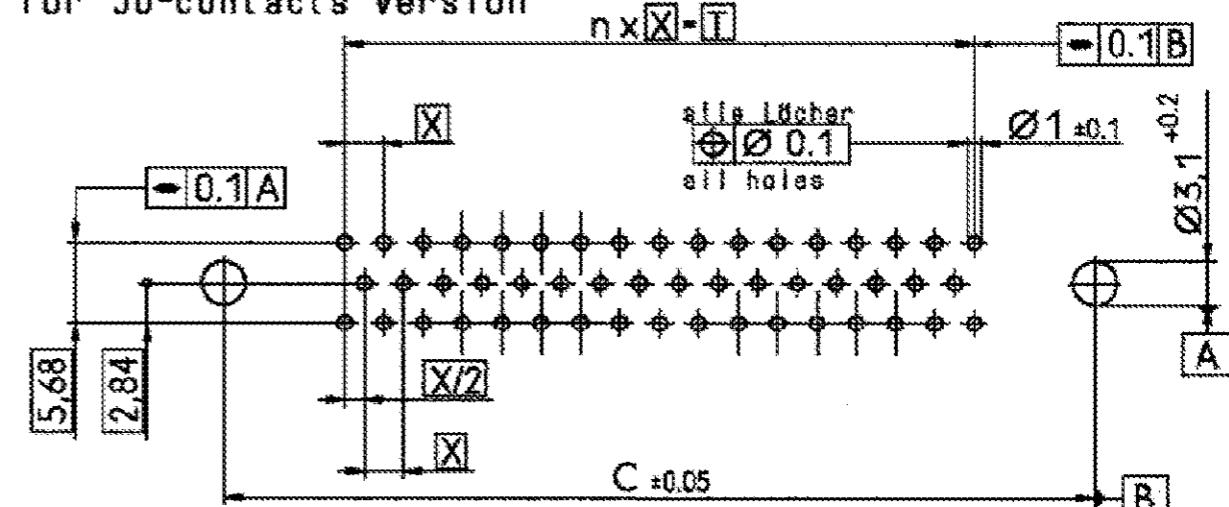
mit Gewindeeinsatz (nur für 50-pol. Ausführung):  
with thread insert (only for 50-pol. Ausführung):



Leiterplattenbohrung  
PCB layout



für 50-polige Ausführung  
for 50-contacts version



Polzahl No. of contacts	n	Abmessungen in mm dimensions in mm		
		C	T	X
9	4	25.0	10.96	2.74
15	7	33.3	19.18	2.74
25	12	47.04	33.12	2.76
37	18	63.5	49.68	2.76
50	16	61.1	44.16	2.76

Erläuterungen: Seite 1  
dargestellt wird die 9-polige Ausführung  
remarks: see page 1  
drawn is the 9-contacts version

**TE** TE Connectivity

SCALE 2:1 WEIGHT

MATERIAL

PART NAME Sub-D Loetstiften gerade  
Buchsenleiste  
D-Sub straight soldering pins  
female connector

PART NO. V42254-A2\*\*\*-B\*\*\*-27

DATE 01.03.90  
NAME Embo  
DEP. PE Com PE&SE

TOLERANCE UNLESS SPECIFIED OTHERWISE

Customer Drawing Nr. C-7-1393483-1

REV. CHANGE ORDER DATE APP.

SEE SHEET 1

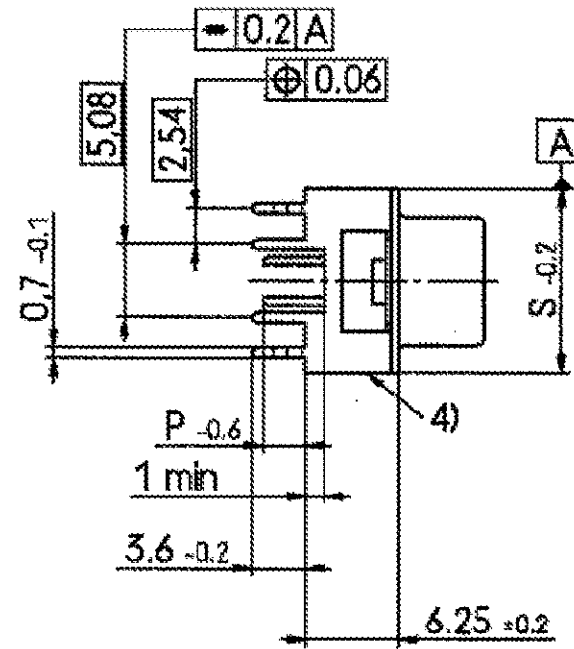
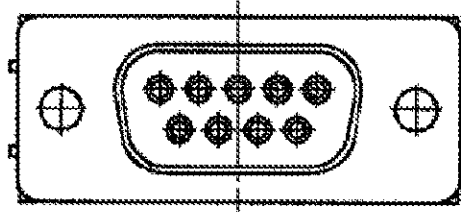
SHT. 21 OF 8

THIS INFORMATION IS CONFIDENTIAL AND PROPRIETARY TO TYCO ELECTRONICS CORPORATION AND ITS WORLDWIDE SUBSIDIARIES AND AFFILIATES. IT MAY NOT BE DISCLOSED TO ANYONE, OTHER THAN TYCO ELECTRONICS PERSONNEL, WITHOUT WRITTEN AUTHORIZATION FROM TYCO ELECTRONICS CORPORATION, HARRISBURG, PENNSYLVANIA, USA

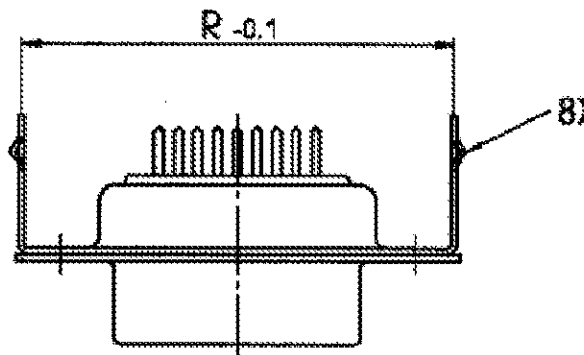
PROPRIETARY:

mit Masselötlstiften:  
with grounding soldering pins: 3)

V42254-A2215-B\*\*\*  
V42254-A2217-B\*\*\*  
V42254-A2815-B\*\*\*  
V42254-A2817-B\*\*\*



V42254-	P
A221*-+***	3.2
A281*-+***	5.55



Sachnr. ordering code V42254-A2*1*-	Polzahl No. of contacts	dimension Maß	R	S
8*09	09		30.4	12.4
8*15	15		38.8	12.4
8*25	25		52.8	12.4
8*37	37		69.1	12.4

Anforderungsstufe,  
performance level 1)

Erläuterungen: Seite 1  
dargestellt wird die 9-polige Ausführung  
remarks: see page 1  
drawn is the 9-contacts version

<b>TE</b> TE Connectivity		SCALE 2:1	WEIGHT
DIMENSIONS IN MM		MATERIAL	
DATE 01.03.93	NAME Emco	PART NAME Sub-D Loetstiften gerade	
DEP. PE Com PE&SE	TOLERANCE UNLESS SPECIFIED OTHERWISE	Buchsenleiste	
SEE SHEET 1		D-Sub straight soldering pins	
REV. CHANGE ORDER	DATE	APP	PART NO. V42254-A2***-B***-27
Customer Drawing Nr. C-7-1393483-1			SHT. 3+ OF 8

THIS INFORMATION IS CONFIDENTIAL AND PROPRIETARY TO TYCO ELECTRONICS CORPORATION AND ITS WORLDWIDE SUBSIDIARIES AND AFFILIATES. IT MAY NOT BE DISCLOSED TO ANYONE, OTHER THAN TYCO ELECTRONICS PERSONNEL, WITHOUT WRITTEN AUTHORIZATION FROM TYCO ELECTRONICS CORPORATION, HARRISBURG PENNSYLVANIA USA

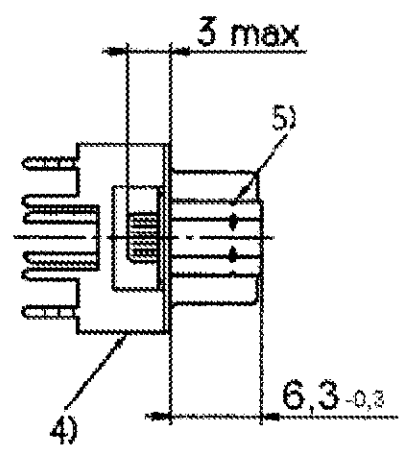
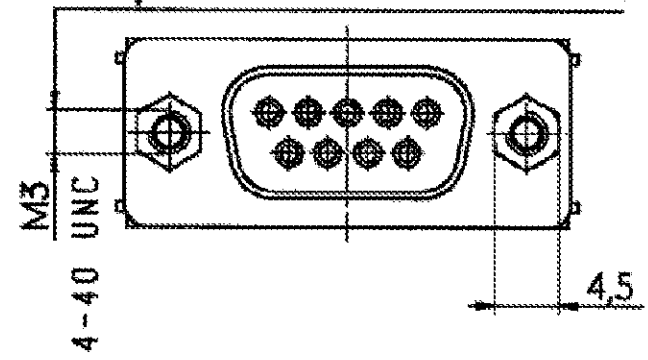
PROPRIETARY:

THIS INFORMATION IS CONFIDENTIAL AND PROPRIETARY TO TYCO ELECTRONICS CORPORATION AND ITS WORLDWIDE SUBSIDIARIES AND AFFILIATES. IT MAY NOT BE DISCLOSED TO ANYONE, OTHER THAN TYCO ELECTRONICS PERSONNEL, WITHOUT WRITTEN AUTHORIZATION FROM TYCO ELECTRONICS CORPORATION, HARRISBURG PENNSYLVANIA USA

mit Masselötstiften und Gewindebolzen:  
 with grounding soldering-pins and screwlock stud bolts: 3)

M3: 4-40 UNC:  
 V42254-A2219-B\*\*\* V42254-A2216-B\*\*\*  
 V42254-A2218-B\*\*\*  
 V42254-A2819-B\*\*\* V42254-A2816-B\*\*\*  
 V42254-A2818-B\*\*\*

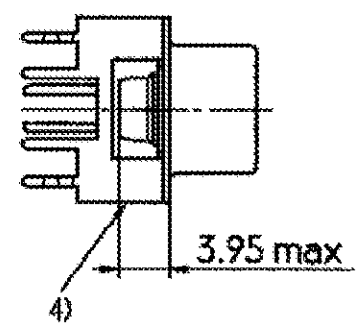
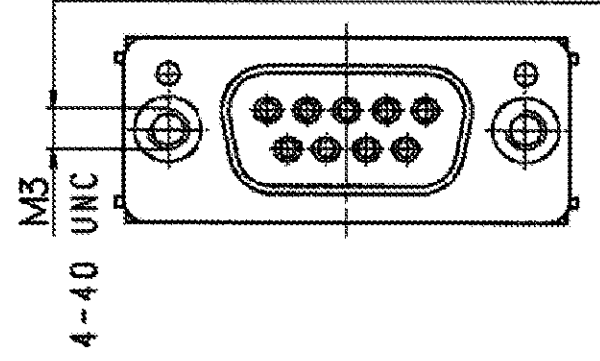
Verdrehsicherheit  $\geq 70$  Ncm  
 torque retention  $\geq 70$  Ncm



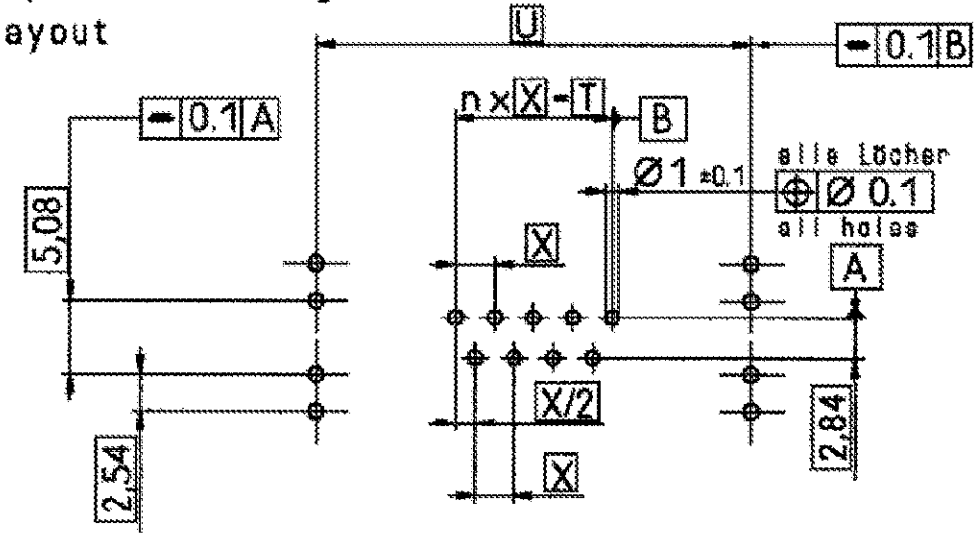
mit Masselötstiften und Stop-Mutter:  
 with grounding soldering-pins and thread: 3)

M3: 4-40 UNC:  
 V42254-A2214-B\*\*\* V42254-A2212-B\*\*\*  
 V42254-A2814-B\*\*\* V42254-A2812-B\*\*\*

Verdrehsicherheit  $\geq 130$  Ncm  
 torque retention  $\geq 130$  Ncm



Leiterplattenbohrung  
 PCB layout



Polzahl No. of contacts	n	Abmessungen in mm dimensions in mm		
		T	U	X
9	4	10.96	30.4	2.74
15	7	19.18	38.8	2.74
25	12	33.12	52.7	2.76
37	18	49.68	69.1	2.76

Erläuterungen: Seite 1  
 dargestellt wird die 9-polige Ausführung  
 remarks: see page 1  
 drawn is the 9-contacts version

**TE Connectivity**

SCALE 2:1 WEIGHT

MATERIAL

DATE 01.03.90  
 NAME Embo  
 DEP. PE Com PE&SE

PART NAME Sub-D Loetsliften gerade  
 Buchsenteiste  
 D-Sub straight soldering pins  
 female connector

PART NO. V42254-A2\*\*\*-B\*\*\*-27 SH. 4+

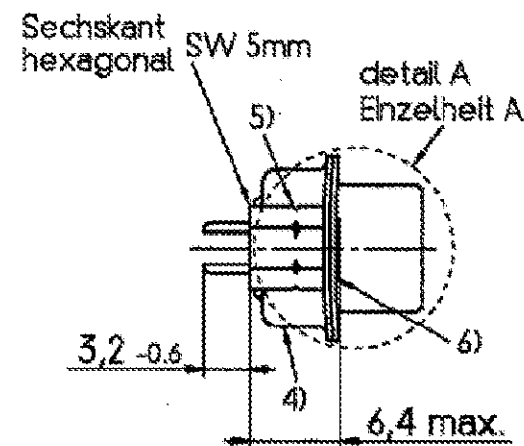
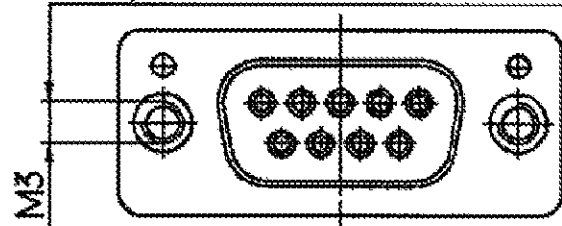
Customer Drawing Nr. C-7-1393483-1 OF 8

THIS INFORMATION IS CONFIDENTIAL AND PROPRIETARY TO TYCO ELECTRONICS CORPORATION AND ITS WORLDWIDE  
 SUBSIDIARIES AND AFFILIATES. IT MAY NOT BE DISCLOSED TO ANYONE, OTHER THAN TYCO ELECTRONICS PERSONNEL,  
 WITHOUT WRITTEN AUTHORIZATION FROM TYCO ELECTRONICS CORPORATION, HARRISBURG PENNSYLVANIA USA

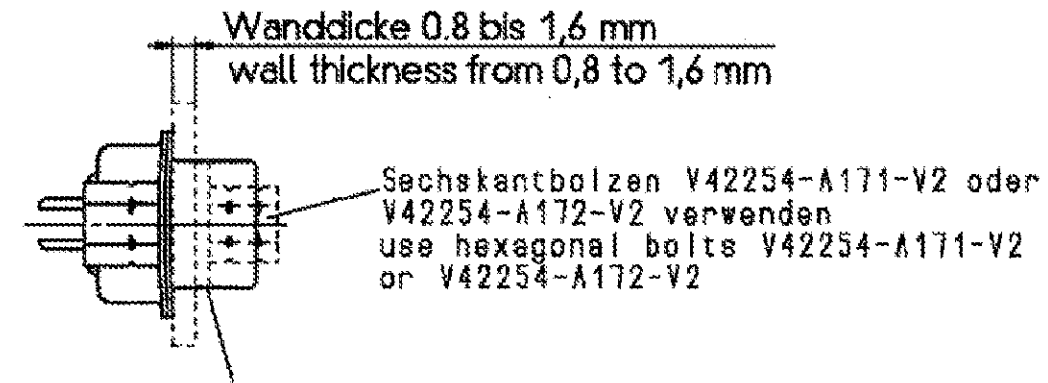
mit Distanzbolzen :  
with distance bolts: 7)

V42254-A2120-B\*\*\*  
V42254-A2122-B\*\*\*

Verdrehsicherheit  $\geq 20$  Ncm  
torque retention  $\geq 20$  Ncm



Montageart  
mounting type

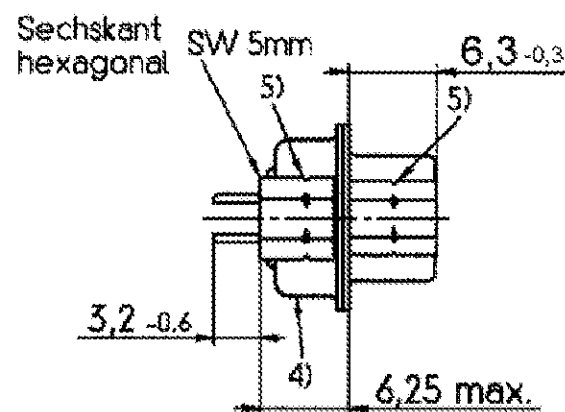
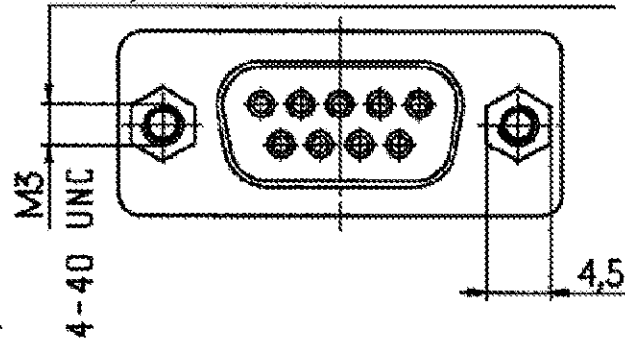


Falls notwendig Distanzscheiben verwenden  
if necessary, use washer(s)

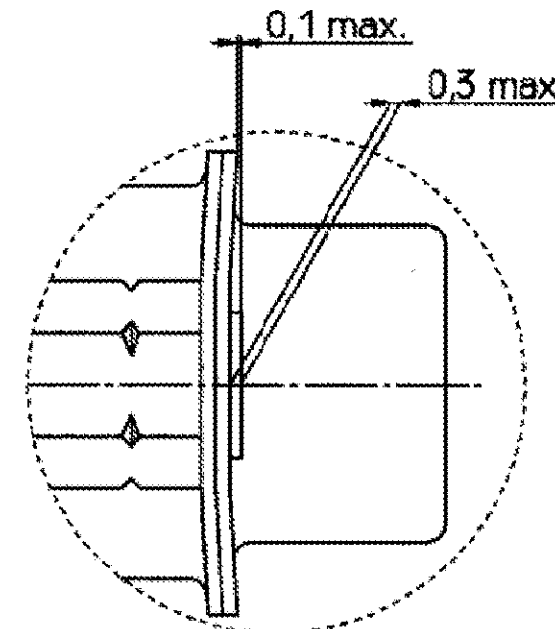
mit Gewinde- und Distanzbolzen:  
with screwlock stud bolts and distance bolts: 7)

	Gewindebolzen screwlock stud bolts	Distanzbolzen distance bolts
V42254-A2130-B***	M3	M3
V42254-A2131-B***	4-40 UNC	M3
V42254-A2192-B***	M3	M3
V42254-A2193-B***	4-40 UNC	M3

Verdrehsicherheit  $\geq 80$  Ncm  
torque retention  $\geq 80$  Ncm



Einzelheit A (5:1)  
detail A



Erläuterungen: Seite 1  
dargestellt wird die 9-polige Ausführung  
remarks: see page 1  
drawn is the 9-contacts version

<b>TE</b> TE Connectivity		SCALE 2:1	WEIGHT
DIMENSIONS IN MM		MATERIAL	
DATE	D1.05.90	PART NAME	
NAME	Embg	Sub-D Loetstiften gerade	
DEP.	PE Com PE&SE	Buchsenleiste	
TOLERANCE UNLESS SPECIFIED OTHERWISE		PART NO.	
SEE SHEET 1		V42254-A2***-B***-27	
REV.	CHANGE ORDER	DATE	APP.
Customer Drawing Nr. C-7-1593483-1		SHT. 5+	
		OF 8	

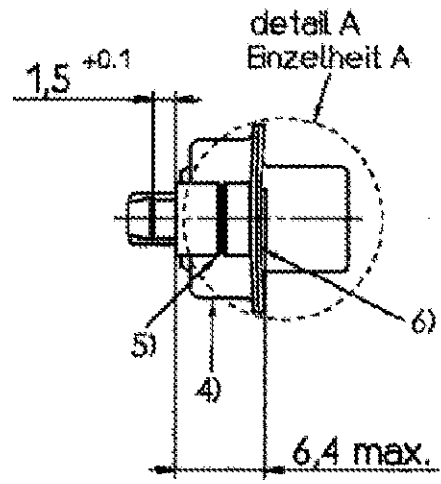
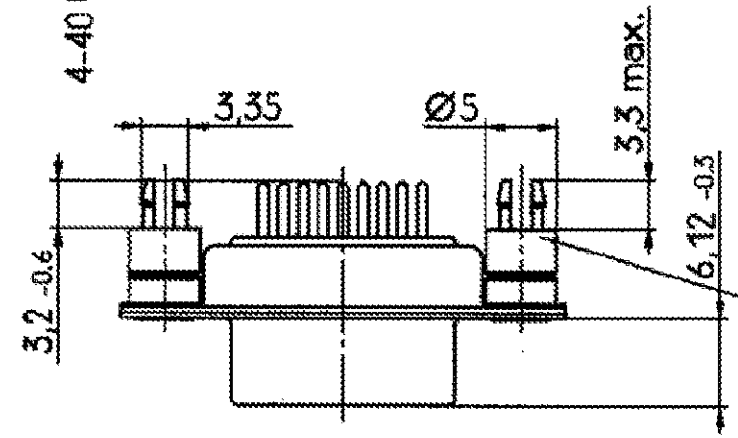
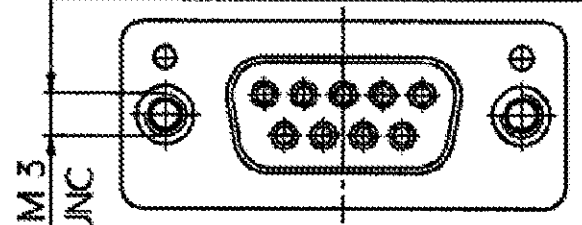
PROPRIETARY:

THIS INFORMATION IS CONFIDENTIAL AND PROPRIETARY TO TYCO ELECTRONICS CORPORATION AND ITS WORLDWIDE SUBSIDIARIES AND AFFILIATES. IT MAY NOT BE DISCLOSED TO ANYONE, OTHER THAN TYCO ELECTRONICS PERSONNEL, WITHOUT WRITTEN AUTHORIZATION FROM TYCO ELECTRONICS CORPORATION, HARRISBURG PENNSYLVANIA USA

mit Distanzbolzen und Clip :  
with distance bolts and grounding socket : 7)

M3 : V42254-A2140-B\*\*\* 4-40 UNC : V42254-A2141-B\*\*\*  
V42254-A2142-B\*\*\*

Verdrehsicherheit  $\geq 20$  Ncm  
torque retention  $\geq 20$  Ncm

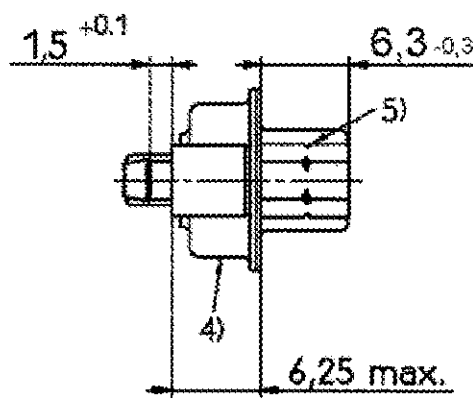
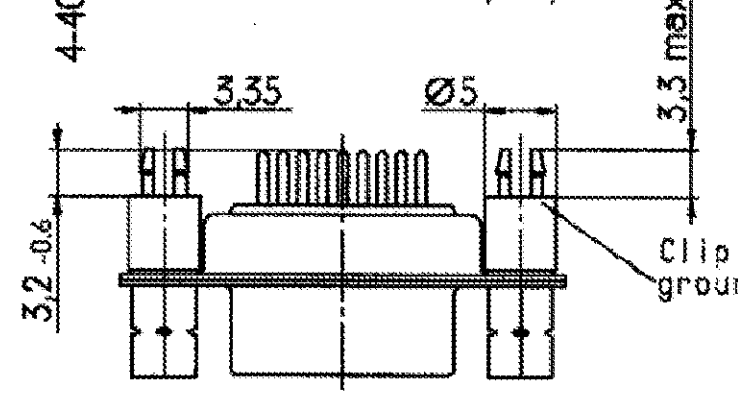
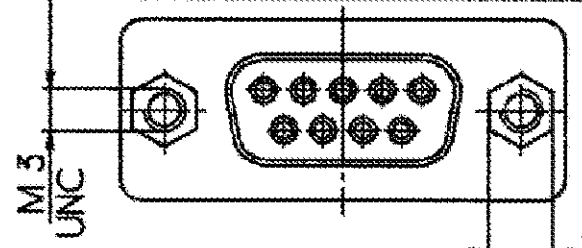


Clip für :  
grounding socket for:  
- Loch:  $\varnothing 3,2^{+0.1}$   
hole:  
- LP-Dicke:  
PCB thickness:  $1,5^{+0.1}$

mit Gewinde- und Distanzbolzen mit Clip :  
with screwlock stud bolts and distance bolts and grounding socket : 7)

M3 : V42254-A2150-B\*\*\* 4-40 UNC : V42254-A2151-B\*\*\*  
V42254-A2152-B\*\*\* V42254-A2153-B\*\*\*

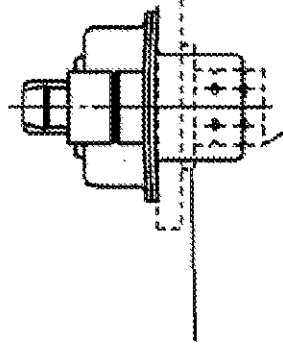
Verdrehsicherheit  $\geq 80$  Ncm  
torque retention  $\geq 80$  Ncm



Clip für :  
grounding socket for:  
- Loch:  $\varnothing 3,2^{+0.1}$   
hole:  
- LP-Dicke:  
PCB thickness:  $1,5^{+0.1}$

Montageart  
mounting type

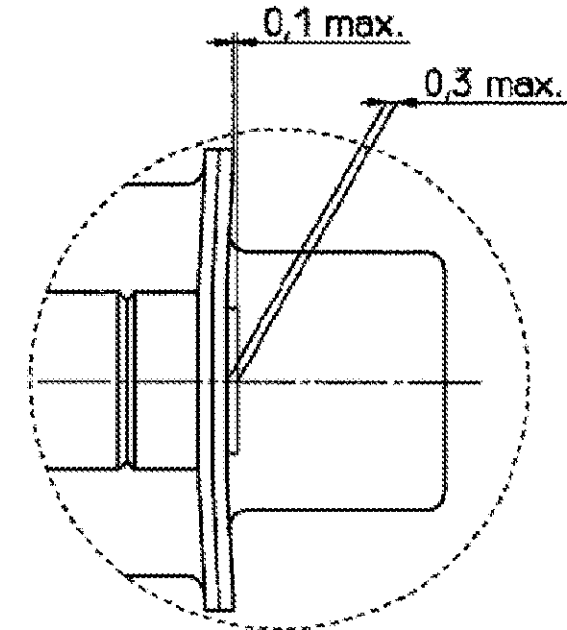
Wanddicke 0.8 bis 1.6 mm  
wall thickness from 0,8 to 1,6 mm



Sachskantbolzen V42254-A171-V2 oder  
V42254-A172-V2  
verwenden  
use hexagonal bolts V42254-A171-V2  
or V42254-A172-V2

Falls notwendig Distanzscheiben  
verwenden  
if necessary, use washer(s)

Einzelheit A (5:1)  
detail A



Erläuterungen: Seite 1  
dargestellt wird die 9-polige Ausführung  
remarks: see page 1  
drawn is the 9-contacts version

<b>STE</b> TE Connectivity		SCALE 2:1	WEIGHT
DIMENSIONS IN MM		MATERIAL	
DATE 01.03.90	NAME Embo	PART NAME Sub-D Loetstiften gerade	
DEP. PE Com PE&SE		Buchsenleiste	
		D-Sub straight soldering pins	
		female connector	
SEE SHEET 1		PART NO.	SHT. 6
		V42254-A2***-B***-27	OF 8
REV	CHANGE ORDER	DATE	APP.
			Customer Drawing Nr. C-7-1393483-1

V 4 2 2 5 4 - A 2 \* \* \* - B \* \* \*

Anschlußausführung // connection type	
1	Lotestiftlänge 3,2mm // soldering pin length 3.2mm
2	Lotestiftlänge 3,2mm // soldering pin length 3.2mm mit Masseblechbohrung 1) // with grounding soldering pins
3	Lotestiftlänge 5,55mm // soldering pin length 5.55mm
4	Lotestiftlänge 1,93mm 1) // soldering pin length 1.93mm 1)
5	Lotestiftlänge 14,05mm 1) // soldering pin length 14.05mm 1)
6	Lotestiftlänge 5,55mm // soldering pin length 5.55mm mit Masseblechbohrung 1) // with grounding soldering pins 1)

Steckerart // connector type	
8	Buchsenleiste // female connector

Kontaktüberfläche // Kontaktart // contact surface // contact type	
1	Anforderungsstufe 1 // parallel Kontakte // performance level I // rolled contacts
2	Anforderungsstufe 2 // parallel Kontakte // performance level II // rolled contacts

Polzahl // no. of contacts	
08	8-polig // 8-contacts
15	15-polig // 15-contacts
24	23-polig // 23-contacts
37	37-polig // 37-contacts
50	50-polig // 50-contacts

Steckverbinderunterzeichnung // connector hardware

1\*

Standardausführung + Ausführung mit Gewindeeinsteck oder Gewindebohrung standard version + version with thread insert or screwlock stud bolts			
	all TE- Beschreibung auf Blechteil with TE- marking on the shell	all Strip- bohrer with thread insert	all Gewinde- bohrer with screwlock stud bolts
12	ja // yes	4-40UNC	nein // no
14	ja // yes	M3	nein // no
15	ja // yes	nein // no	nein // no
16	ja // yes	nein // no	4-40UNC
17	nein // no	nein // no	nein // no
18	nein // no	nein // no	4-40UNC
19	ja // yes	nein // no	M3

2)

Ausführung mit Distanzbohrern version with distance bolts		
	Distanzbohrer distance bolts	all TE- Beschreibung auf Blechteil with TE- marking on the shell
20	M3	ja // yes
22	M3	nein // no

2)

Ausführung mit Gewindebohrern und Distanzbohrern version with screwlock stud bolts and distance bolts			
	all Gewinde- bohrer with screwlock stud bolts	all Distanz- bohrer with distance bolts	all TE- Beschreibung auf Blechteil with TE- marking on the shell
30	M3	M3	ja // yes
31	4-40UNC	M3	ja // yes
32	M3	M3	nein // no
33	4-40UNC	M3	nein // no

2)

Ausführung mit Distanzbohrern mit Clip version with distance bolts and grounding socket		
	all Distanz- bohrer with distance bolts	all TE- Beschreibung auf Blechteil with TE- marking on the shell
40	M3 + Clip grounding socket	ja // yes
41	4-40UNC + Clip grounding socket	ja // yes
42	M3 + Clip grounding socket	nein // no

2)

Ausführung mit Gewindebohrern und Distanzbohrern mit Clip version with screwlock stud bolts and distance bolts and grounding socket			
	all Gewinde- bohrer with screwlock stud bolts	all Distanz- bohrer with distance bolts	all TE- Beschreibung auf Blechteil with TE- marking on the shell
50	M3 Clip grounding socket	ja // yes	ja // yes
51	4-40UNC Clip grounding socket	ja // yes	ja // yes
52	M3 Clip grounding socket	nein // no	nein // no
53	4-40UNC Clip grounding socket	nein // no	nein // no

PERFORMANCE LEVEL 2 CONTACT FINISH:  
Au or Au FLASH OVER PONI

THIS INFORMATION IS CONFIDENTIAL AND PROPRIETARY TO TYCO ELECTRONICS CORPORATION AND ITS WORLDWIDE SUBSIDIARIES AND AFFILIATES. IT MAY NOT BE DISCLOSED TO ANYONE, OTHER THAN TYCO ELECTRONICS PERSONNEL, WITHOUT WRITTEN AUTHORIZATION FROM TYCO ELECTRONICS CORPORATION, HARRISBURG, PENNSYLVANIA, USA.

1) nicht für 30-polig  
2) nur für Lotestiftlänge 3,2mm  
3) nur für 30-Kontaktversion  
2) not for soldering pin length 3.2mm




		SCALE		WEIGHT	
DATE: 01.02.93		MATERIAL		PART NAME	
NAME: 13000		PART NAME		Sub-D Lotstiften gerade	
APP: REC CE C/PD		PART NAME		Buchsenleiste	
DESIGNER: [blank]		PART NAME		D-Sub straight soldering pins	
CHECKED: [blank]		PART NAME		female connector	
DRAWN: [blank]		PART NO.		V42254-A2****-B****-27	
REV. CHANGE CROSS		DATE		APPROVED	
Customer Drawing No. C-1-1975483-1		REV. CHANGE CROSS		DATE	

THIS INFORMATION IS CONFIDENTIAL AND PROPRIETARY TO TYCO ELECTRONICS CORPORATION AND ITS WORLDWIDE  
 SUBSIDIARIES AND AFFILIATES. IT MAY NOT BE DISCLOSED TO ANYONE, OTHER THAN TYCO ELECTRONICS PERSONNEL,  
 WITHOUT WRITTEN AUTHORIZATION FROM TYCO ELECTRONICS CORPORATION, HARRISBURG, PENNSYLVANIA USA

PROPRIETARY:

TE PARTNUMBER	OLD PARTNUMBER (Description)	
1-1393484-0	V42254A2140B125	
1-1393484-1	V42254A2140B137	OBSOLETE
1-1393484-2	V42254A2140B209	
1-1393484-5	V42254A2141B209	OBSOLETE
1-1393484-6	V42254A2141B215	OBSOLETE
<del>1-1393484-7</del>	V42254A2141B225	OBSOLETE
<del>1-1393484-8</del>	V42254A2141B237	OBSOLETE
1-1393740-3	V42254A2115B250	OBSOLETE
1-1393740-7	V42254A2212B209	OBSOLETE
<del>1-1393740-8</del>	V42254A2212B215	OBSOLETE
<del>1-1393740-9</del>	V42254A2212B225	OBSOLETE
<del>1393484-9</del>	V42254A2116B209	OBSOLETE
1393484-4	V42254A2116B225	OBSOLETE
<del>1393484-5</del>	V42254A2116B237	OBSOLETE
1393484-8	V42254A2140B109	
1393484-9	V42254A2140B115	
1393741-1	V42254A2812B215	
1393741-3	V42254A2816B109	
1393741-4	V42254A2816B115	OBSOLETE
1393741-5	V42254A2819B209	
1393741-6	V42254A2819B225	
1485839-1	V42254A21XXB209	
1485839-2	V42254A21XXB215	
1485839-3	V42254A21XXB215P	
1485839-4	V42254A21XXB225	
1485839-5	V42254A21XXB225P	
1485839-6	V42254A21XXB237	
<del>1857984-3</del>	25p Sub-D PCB Rec 4-40 UNC Scr.Lck+Clp	OBSOLETE
2-1393484-2	V42254A2151B209	OBSOLETE
2-1393484-3	V42254A2151B215	OBSOLETE
2-1393484-4	V42254A2151B225	OBSOLETE
2-1393740-8	V42254A2214B209	
<del>2-1393740-9</del>	V42254A2214B215	OBSOLETE
3-1393484-1	V42254A2315B109	OBSOLETE
<del>3-1393484-2</del>	V42254A2315B115	OBSOLETE
<del>3-1393484-3</del>	V42254A2315B209	OBSOLETE
<del>3-1393484-4</del>	V42254A2315B215	OBSOLETE
<del>3-1393484-5</del>	V42254A2315B225	OBSOLETE
<del>3-1393484-6</del>	V42254A2315B237	OBSOLETE
3-1393740-0	V42254A2214B225	OBSOLETE
<del>3-1393740-1</del>	V42254A2214B237	OBSOLETE
<del>4-1393740-4</del>	V42254A2215B209	OBSOLETE
4-1393740-5	V42254A2215B215	OBSOLETE

TE PARTNUMBER	OLD PARTNUMBER (Description)	
<del>4-1393740-6</del>	V42254A2215B225	OBSOLETE
<del>4-1393740-7</del>	V42254A2215B237	OBSOLETE
<del>6-1393740-6</del>	V42254A2216B109	OBSOLETE
<del>6-1393740-7</del>	V42254A2216B115	OBSOLETE
<del>6-1393740-8</del>	V42254A2216B125	OBSOLETE
<del>6-1393740-9</del>	V42254A2216B137	
<del>7-1393483-1</del>	SUB D FEDERLEISTE	OBSOLETE
<del>7-1393483-2</del>	V42254A2112B225	
<del>7-1393483-5</del>	SUB D FEDERLEISTE	OBSOLETE
<del>7-1393483-6</del>	V42254A2114B215	OBSOLETE
7-1393740-0	V42254A2216B209	
7-1393740-1	V42254A2216B215	
7-1393740-2	V42254A2216B225	
7-1393740-3	V42254A2216B237	
<del>8-1393483-6</del>	V42254A2115B125	OBSOLETE
8-1393483-7	V42254A2115B209	
<del>8-1393483-8</del>	V42254A2115B215	OBSOLETE
8-1393483-9	V42254A2115B225	OBSOLETE
8-1393740-7	SUB D FEDERLEISTE	OBSOLETE
8-1393740-8	SUB D FEDERLEISTE	OBSOLETE
8-1393740-9	SUB D FEDERLEISTE	OBSOLETE
9-1393483-0	V42254A2115B237	OBSOLETE
<del>9-1393740-0</del>	V42254A2219B209	
<del>9-1393740-1</del>	V42254A2219B215	
<del>9-1393740-2</del>	V42254A2219B225	
<del>9-1393740-3</del>	V42254A2219B237	
<del>9-1393740-8</del>	V42254A2315B250	

 TE Connectivity		SCALE 2:1		WEIGHT	
 DIMENSIONS IN MM  LOC GW		MATERIAL			
DATE 01.05.90		PART NAME Sub-D Loetstiften gerade			
NAME Embo		Buchserleiste			
DEP PE Com PE&SE		D-Sub straight soldering pins			
TOLERANCE UNLESS SPECIFIED OTHERWISE		female connector			
SEE SHEET 1		PART NO		SHT. 8+	
REV. CHANGE ORDER		DATE		APP. Customer Drawing Nr. G-7-1393483-1	
				V42254-A2***-B***-*-27	
				OF 8	



单击下面可查看定价，库存，交付和生命周期等信息

[>>TE Connectivity\(泰科\)](#)