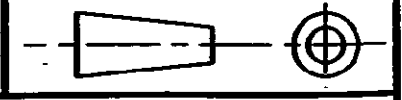
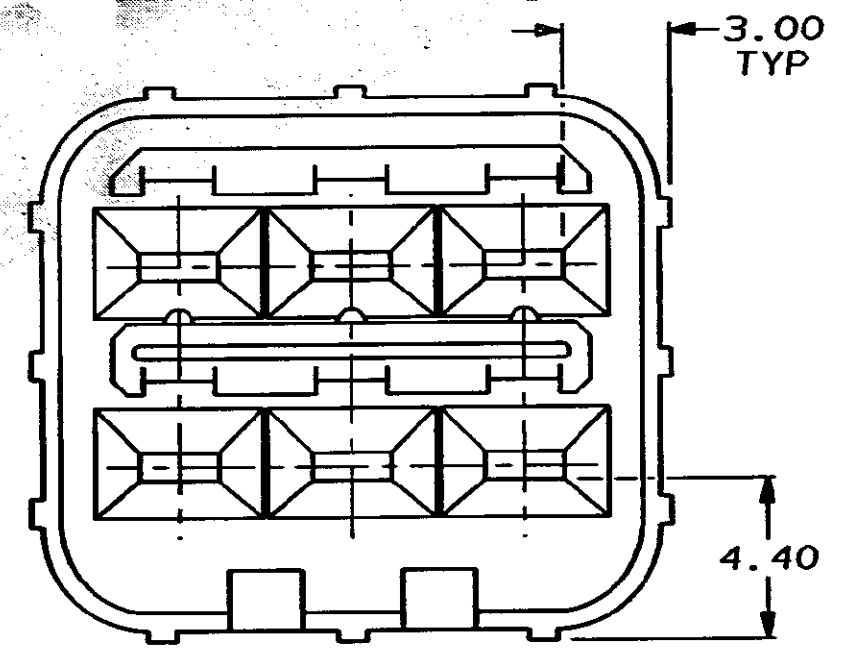
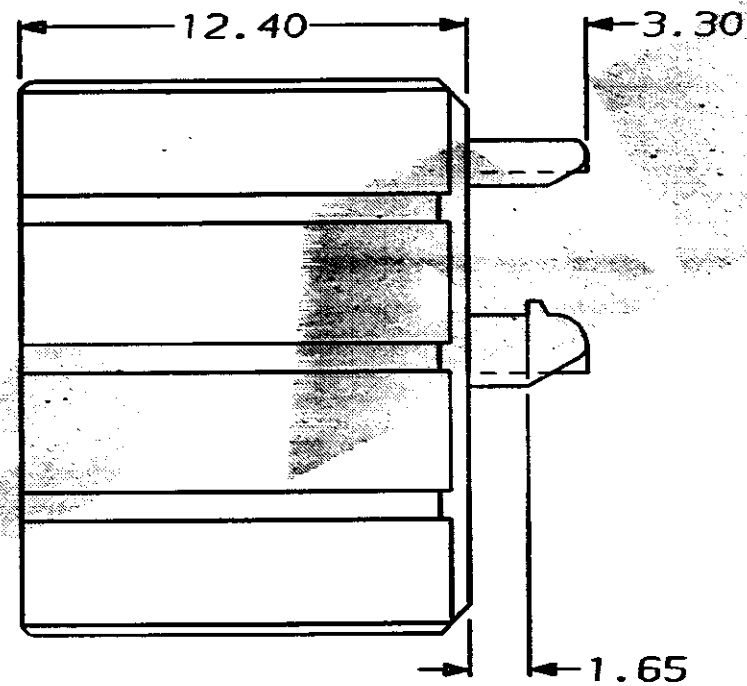
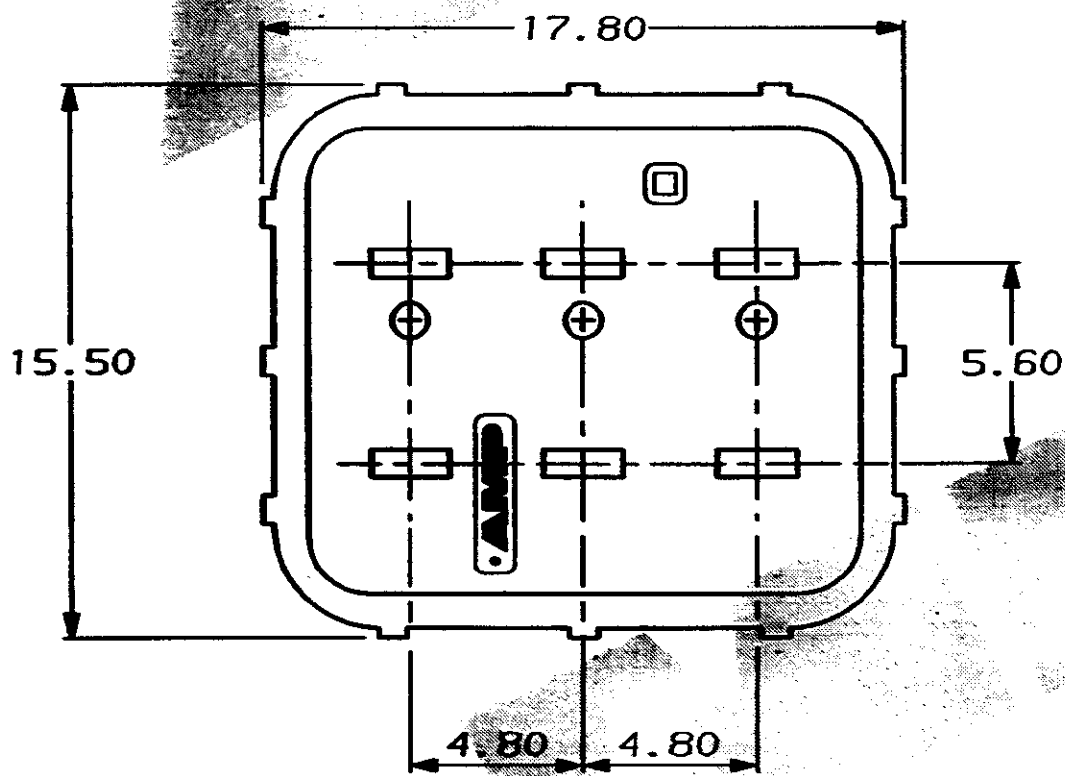
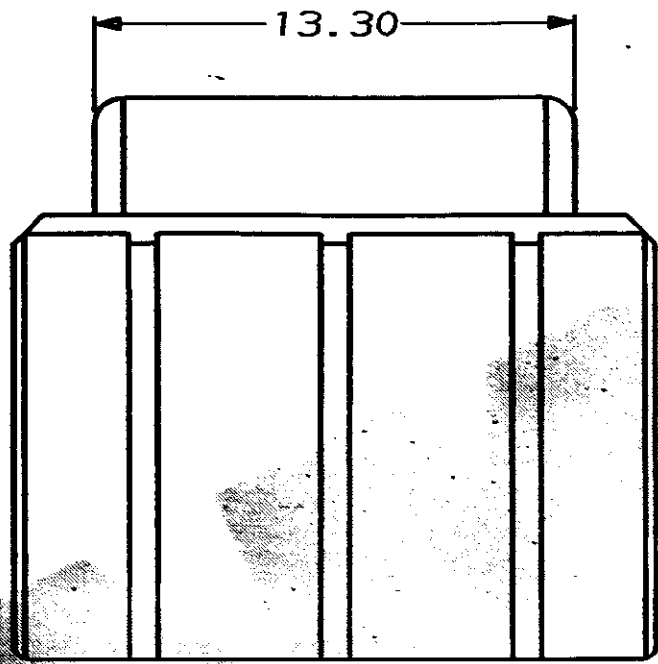


DO NOT SCALE

DIMENSIONS IN MM.



S. C345259.0



**NOTE**

THIS PART IS USED ON Pt.No. 344265-1

YELLOW		NYLON 66		345259-1	
COLOUR		MATERIAL		PART NUMBER	
CUSTOMER DWG FOR REFERENCE ONLY			©COPYRIGHT 1989 BY AMP OF GREAT BRITAIN LTD. ALL INTERNATIONAL RIGHTS RESERVED. ALL PRODUCTS MAY BE COVERED BY BRITISH AND FOREIGN PATENTS AND/OR PATENTS PENDING.		RELEASED FOR PUBLICATION 05 DEC 1989
-	-	-	-	DR. R. RUNAGALL. 05/12/89	
-	-	-	-	CH. D.R. TERRY.	APP. R. SIMMONS.
-	-	-	-	<b>AMP</b> of Great Britain Ltd. TERMINAL HOUSE STANNORE MIDD.	
-	-	-	-	NAME A/BACKOUT FOR 6 WAY TAB HSG. ECONOSEAL 3 LOW CURRENT	
0	REL. FOR PRODUCTION	C3500	16/08/90	SCALE	LOC
REV	APPROVED	ECN	DATE	5/1	E
				SIZE	DWG.No.
				A3	C345259
				REV	SHEET
				0	1/1

单击下面可查看定价，库存，交付和生命周期等信息

[>>TE Connectivity\(泰科\)](#)