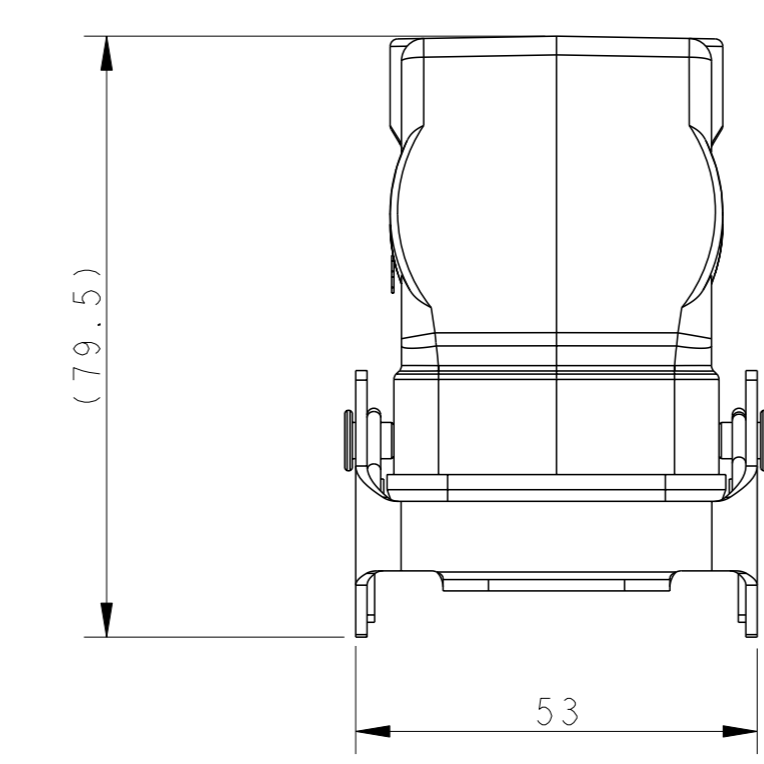
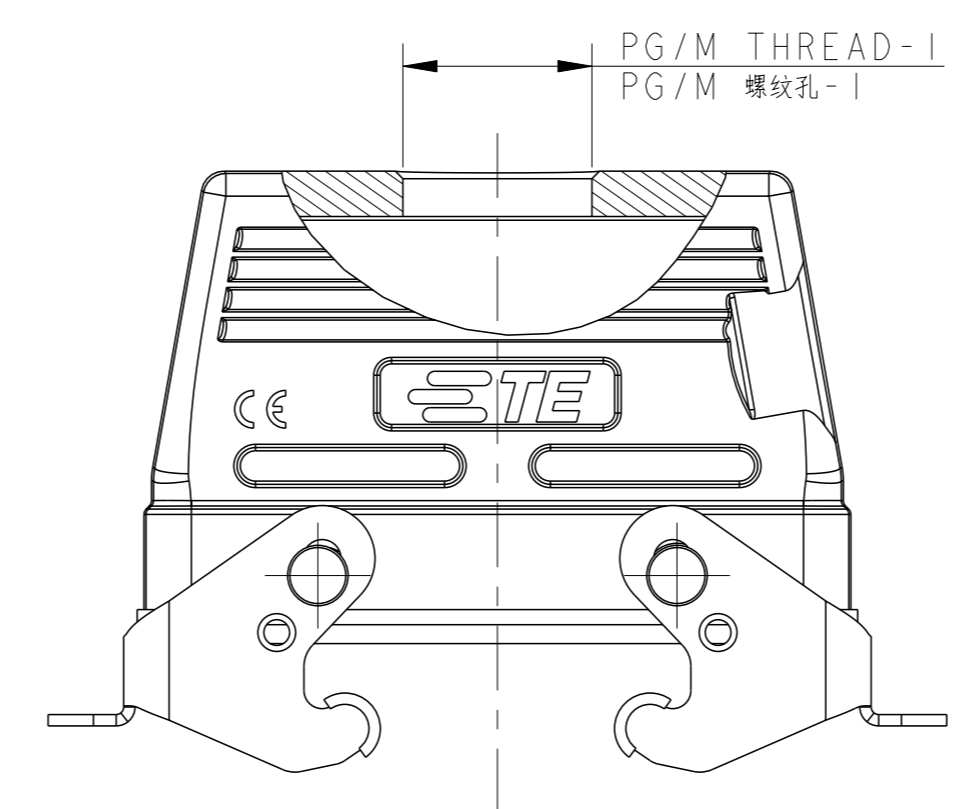
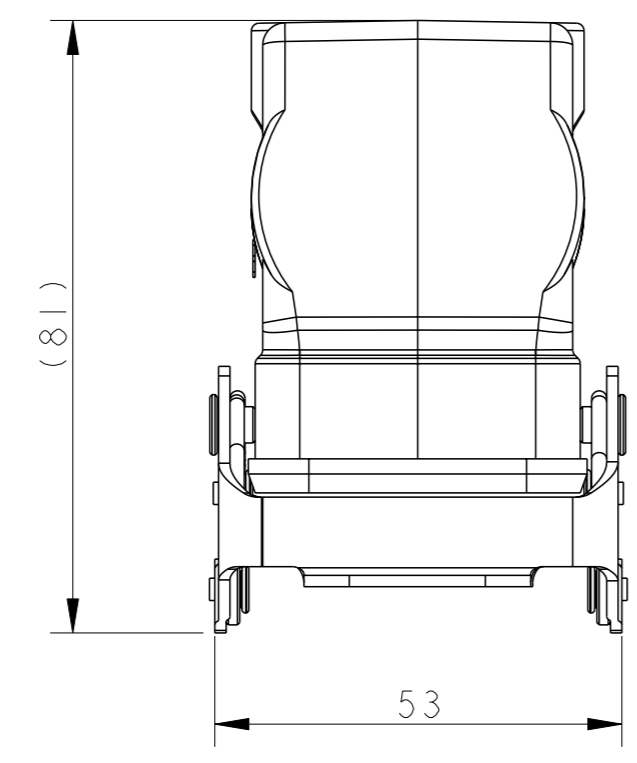
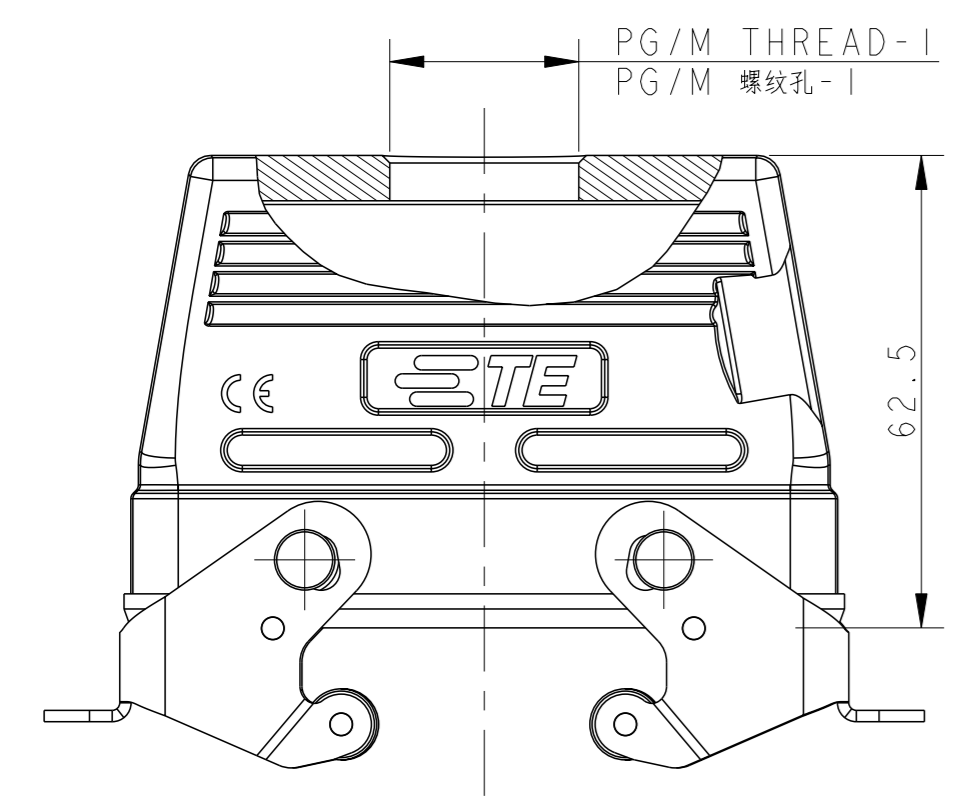
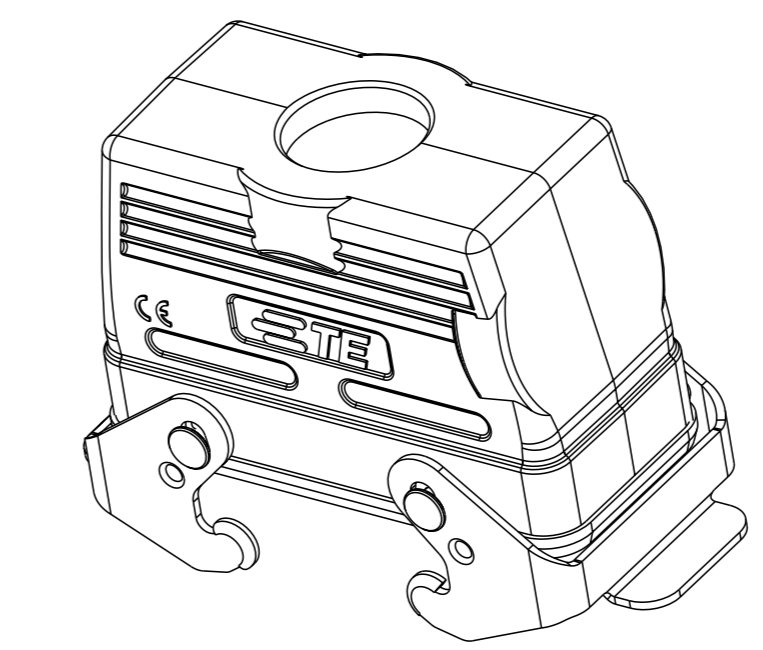
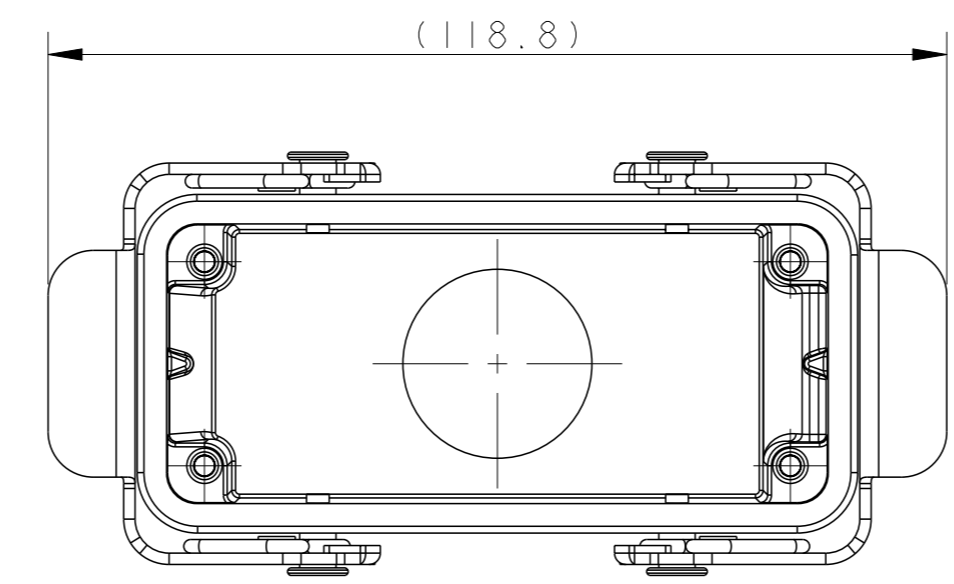
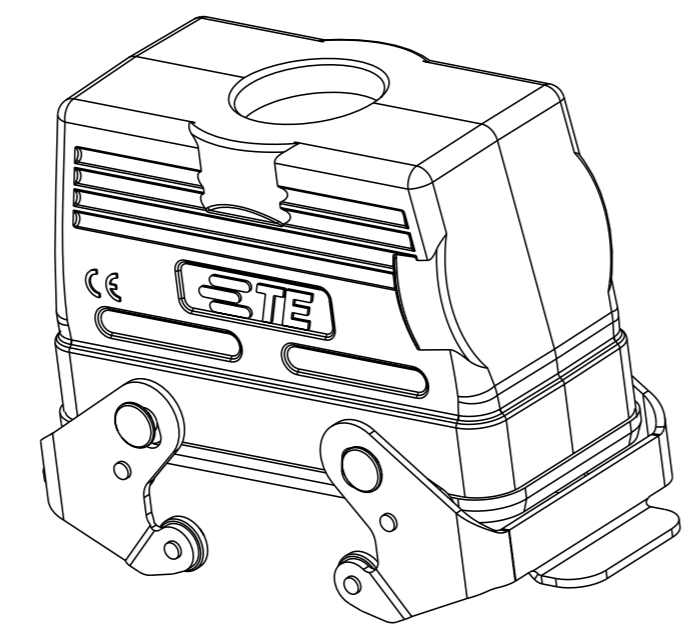
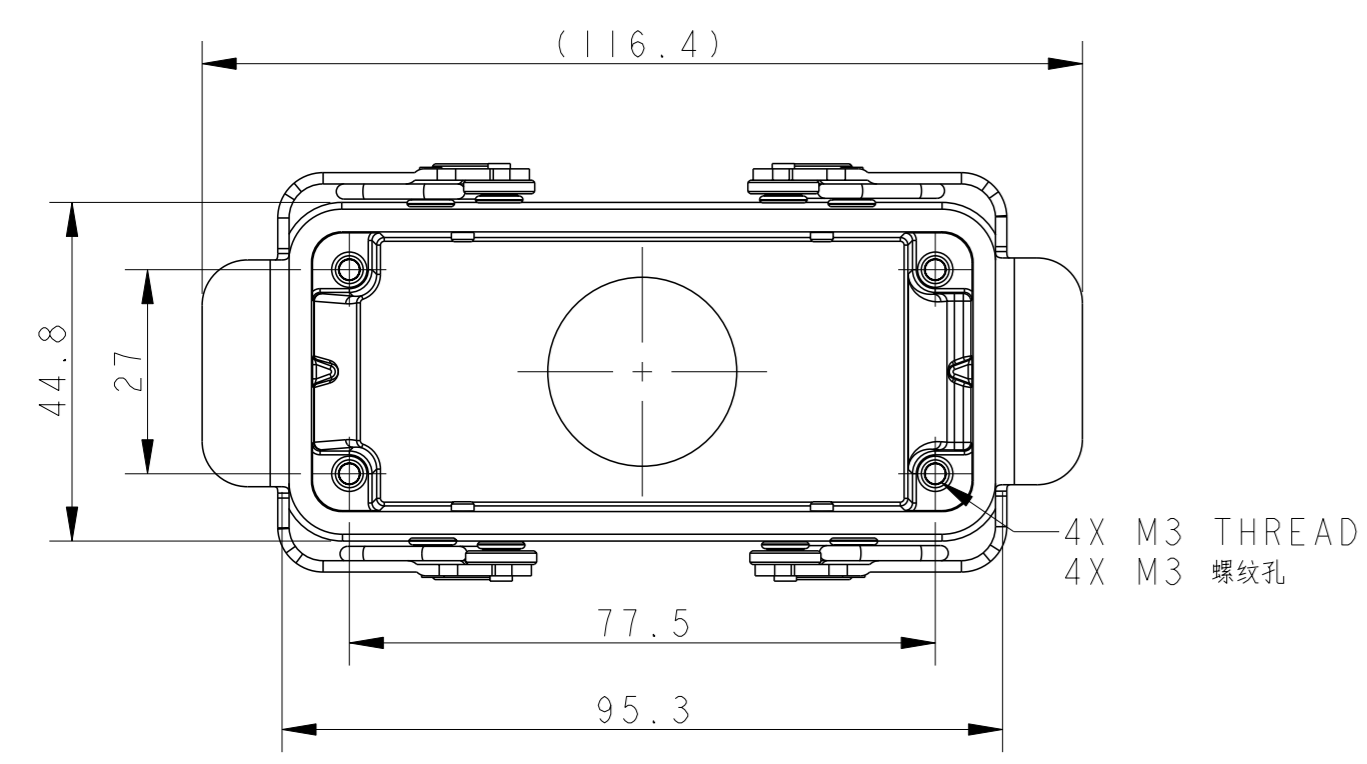


| REVISIONS |           |               |     |        |
|-----------|-----------|---------------|-----|--------|
| #         | DATE      | DESCRIPTION   | OWN | APPROV |
| A1        | 12SEP2016 | ECR-16-012641 | BS  | CW     |
| A2        | 13JUL2018 | ECR-18-009192 | KW  | CW     |
| B         | 20OCT2020 | ECR-20-008190 | WOR | CW     |
| B1        | 30JUN2021 | ECR-21-105138 | WOR | CW     |



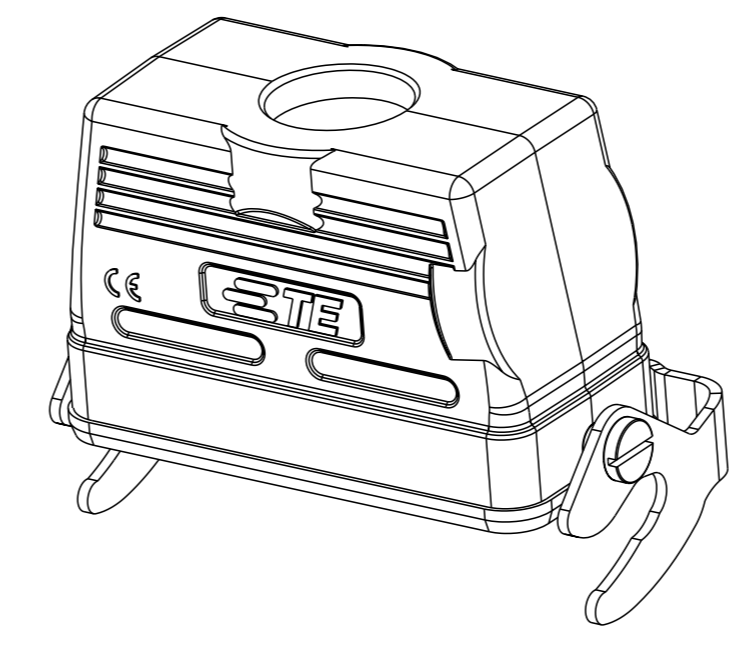
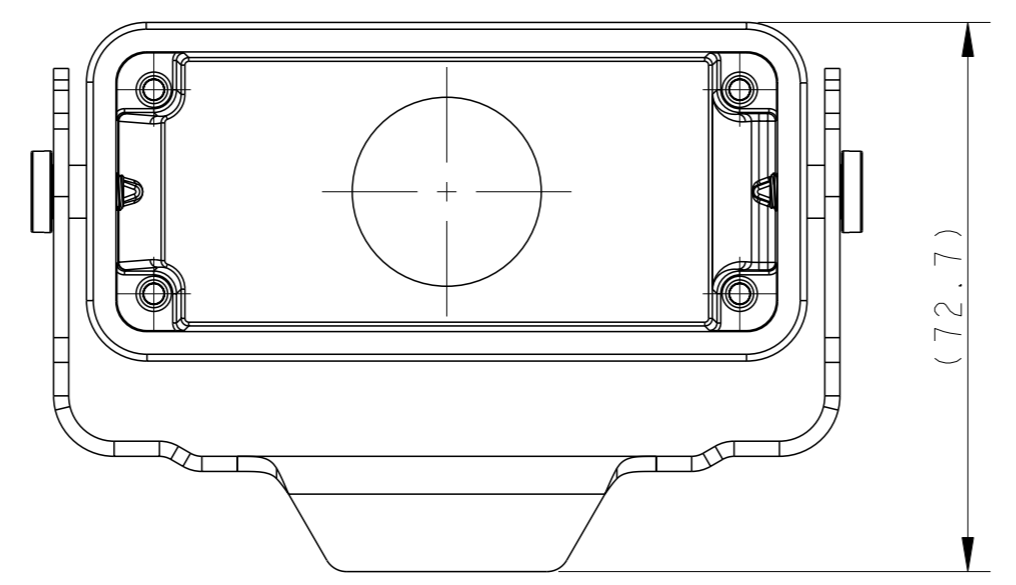
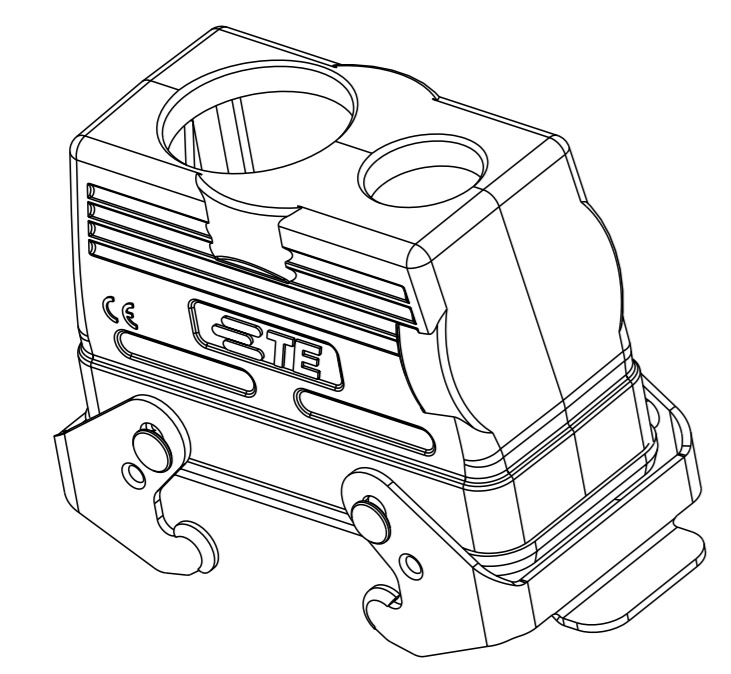
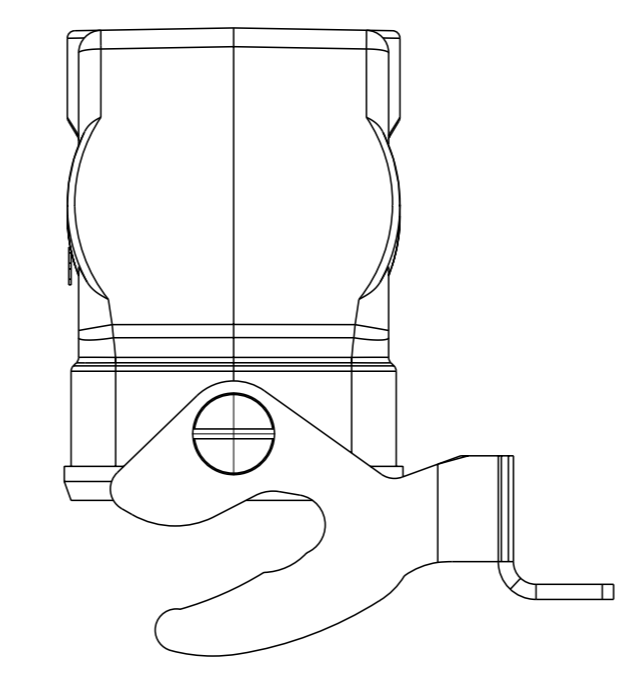
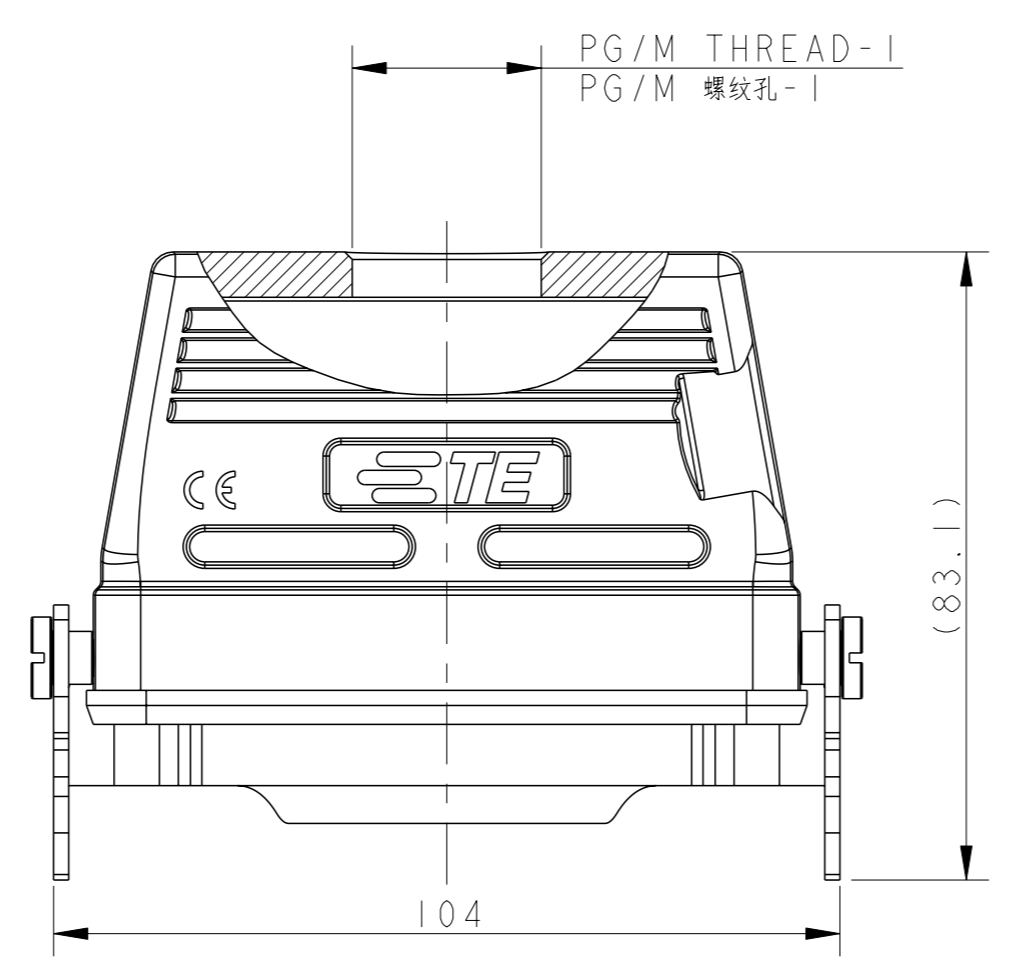
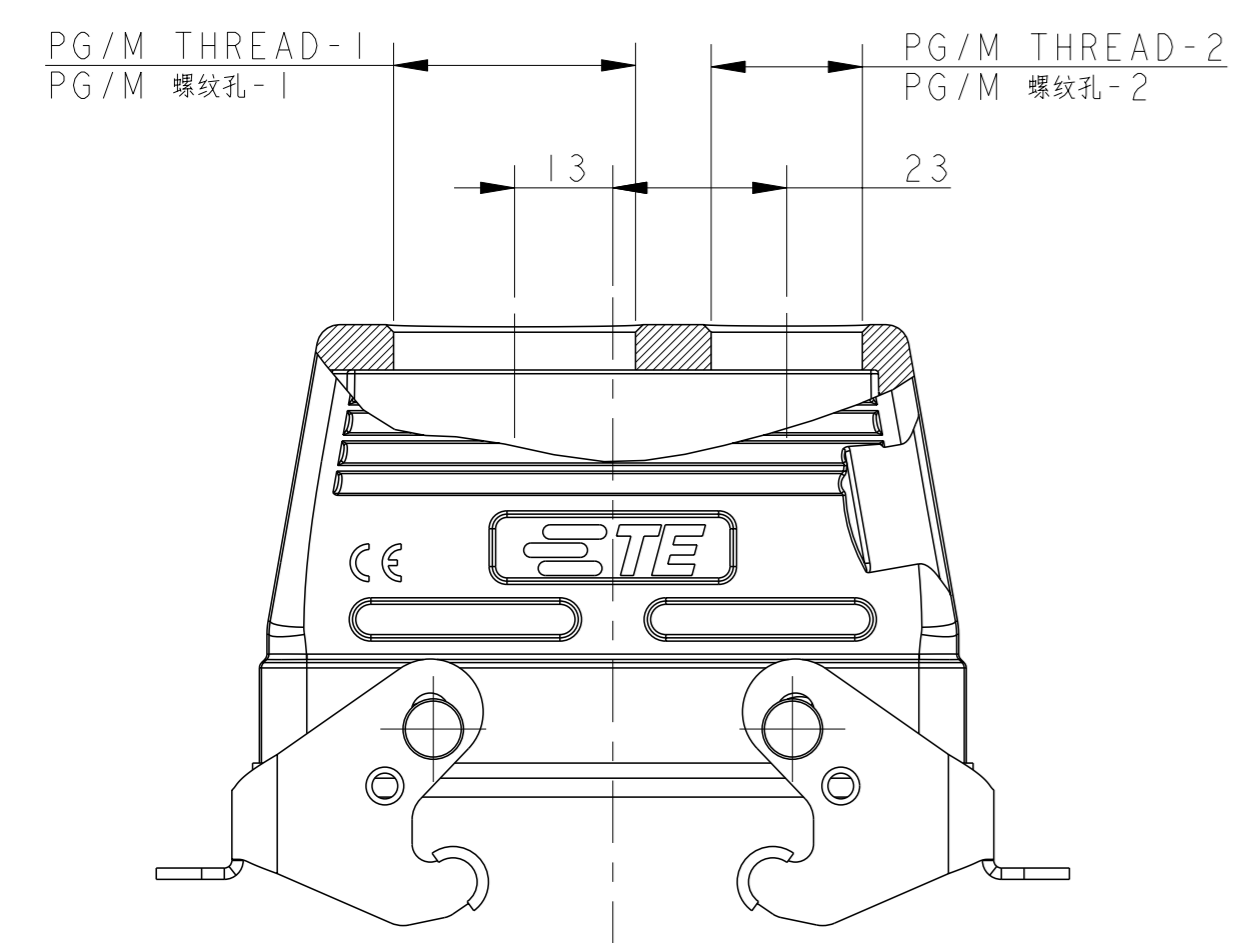
NOTES:  
 1. TECHNICAL CHARACTERISTICS:  
 HOUSING MATERIAL: DIE CAST ALUMINIUM ALLOY  
 SURFACE TREATMENT: POWDER COATED, GRAY  
 DEGREE OF PROTECTION: IP65 (MATED)

注释:  
 1. 技术参数:  
 壳体材料: 铝合金  
 表面处理: 灰色粉末喷涂  
 防护等级: IP65(配合)



TYPE 1: LOW CONSTRUCTION + STAINLESS STEEL DOUBLE LOCKING  
 类型1: 低结构壳体+不锈钢双扣

TYPE 2: LOW CONSTRUCTION + METAL DOUBLE LOCKING  
 OTHER SPEC REFER TO TYPE 1  
 类型2: 低结构壳体+彩钢双扣, 其他规格参照类型1



TYPE 3: LOW CONSTRUCTION + METAL DOUBLE LOCKING  
 2 ENTRY HOLE  
 OTHER SPEC REFER TO TYPE 2  
 类型3: 低结构壳体+彩钢双扣, 2个进线孔, 其他规格参照类型2

TYPE 4: LOW CONSTRUCTION + METAL SINGLE LOCKING  
 OTHER SPEC REFER TO TYPE 1  
 类型4: 低结构壳体+彩钢单扣, 其他规格参照类型1

| PART NUMBER     | DESCRIPTION      | PG/M THREAD-1 | PG/M THREAD-2 | TYPE   |
|-----------------|------------------|---------------|---------------|--------|
| T1710161116-000 | H16B-TBFS-PG16   | PG16          | -             | TYPE 1 |
| T1710161120-000 | H16B-TBFS-M20    | M20           | -             |        |
| T1710161121-000 | H16B-TBFS-PG21   | PG21          | -             |        |
| T1710161125-000 | H16B-TBFS-M25    | M25           | -             | TYPE 2 |
| T1710162113-000 | H16B-TBF-PG13.5  | PG13.5        | -             |        |
| T1710162129-000 | H16B-TBF-PG29    | PG29          | -             |        |
| T1710162121-000 | H16B-TBF-PG21    | PG21          | -             | TYPE 3 |
| T1710162125-000 | H16B-TBF-M25     | M25           | -             |        |
| T1710162132-000 | H16B-TBF-M32     | M32           | -             |        |
| T1710161632-000 | H16B-TBF-M32/M16 | M32           | M16           | TYPE 3 |
| T1710162032-000 | H16B-TBF-M32/M20 | M32           | M20           |        |
| T1730163121-000 | H16B-TBF-LB-PG21 | PG21          | -             | TYPE 4 |
| T1730163125-000 | H16B-TBF-LB-M25  | M25           | -             |        |
| T1730163132-000 | H16B-TBF-LB-M32  | M32           | -             |        |

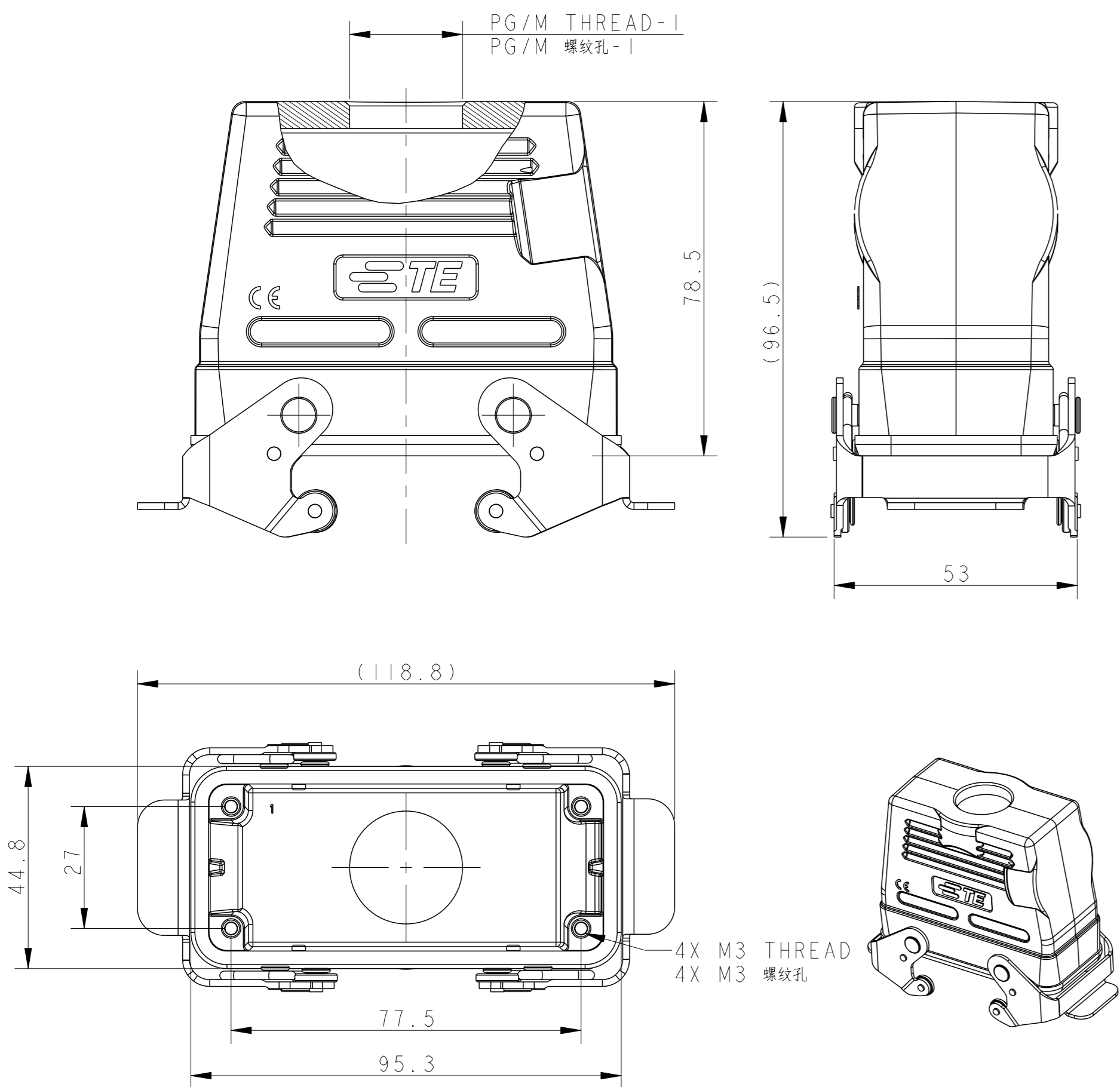
THIS DRAWING IS A CONTROLLED DOCUMENT. DIMENSIONS: mm. TOLERANCES UNLESS OTHERWISE SPECIFIED: 0 PLC ±, 2 PLC ±, 3 PLC ±, 4 PLC ±. MATERIAL: TBD. FINISH: -. WEIGHT: -. CUSTOMER DRAWING.

OWN: DAVID LI 06 JUL 2015. CHK: CHRIS WANG 06 JUL 2015. APVD: XIANG XU 06 JUL 2015. PRODUCT SPEC: 108-137013. APPLICATION SPEC: 114-137013. NAME: H16B-TBFS/TBF/TBF-LB-PG/M. SIZE: A1. CASE CODE: -. DRAWING NO: C-T17X016XXXX000. RESTRICTED TO: -. SCALE: 1:2. SHEET: 1 OF 2. REV: B1.

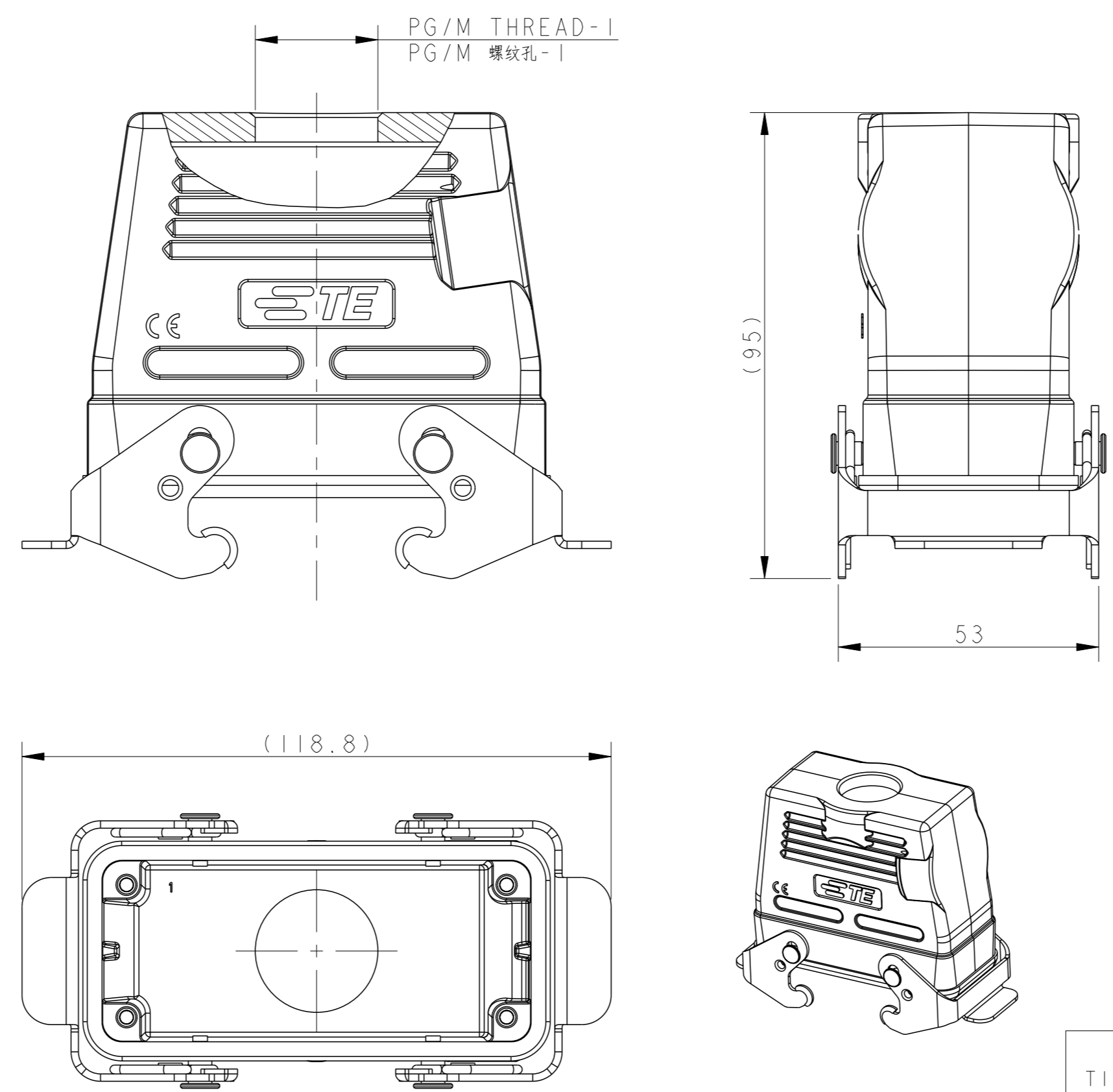
STE TE Connectivity

NOTES:  
SEE SHEET 1.  
注释:  
见第1页

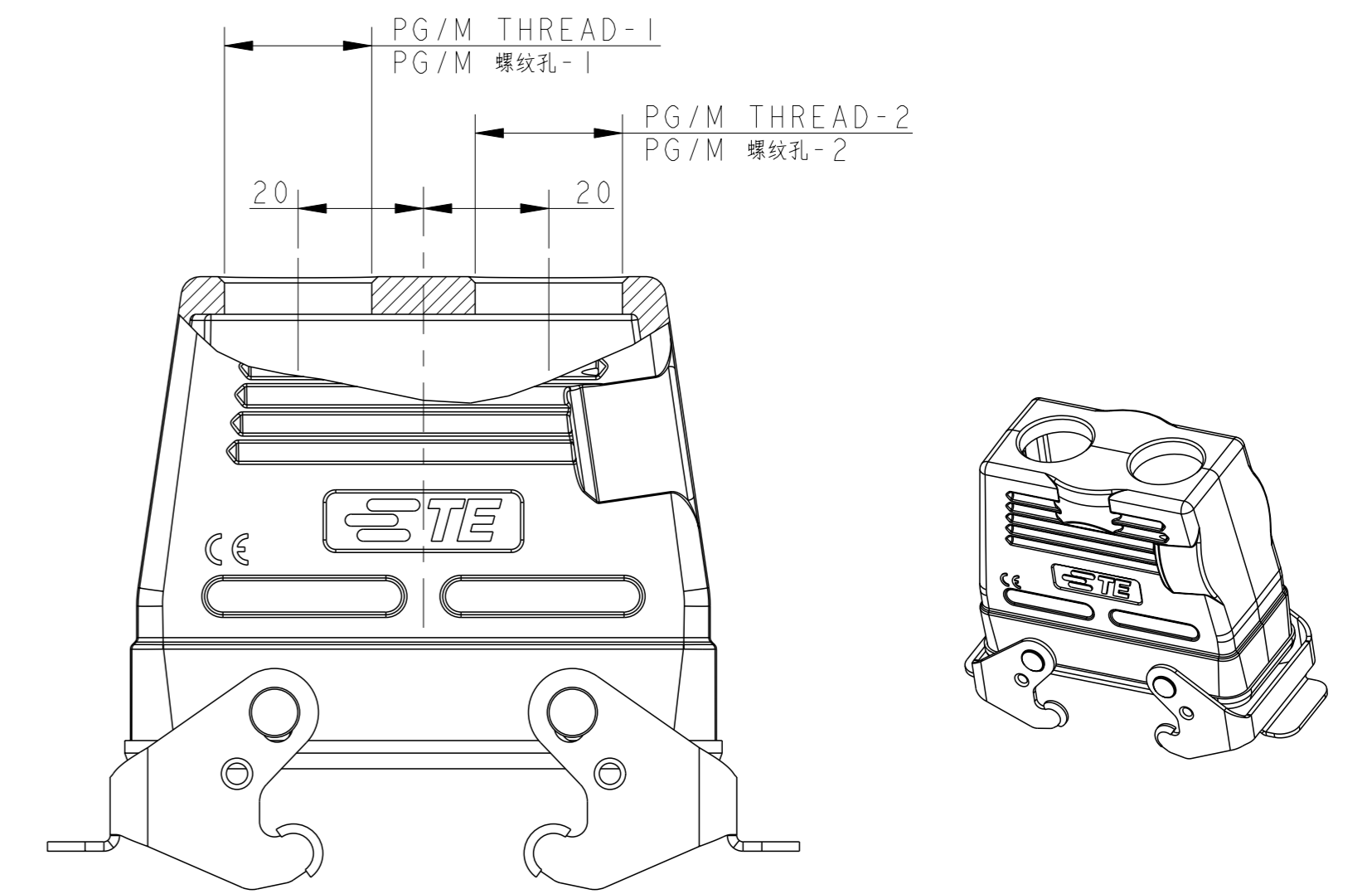
| REVISIONS |      |             |      |      |
|-----------|------|-------------|------|------|
| #         | DATE | DESCRIPTION | DATE | APPV |
| -         | -    | SEE SHEET 1 | -    | -    |



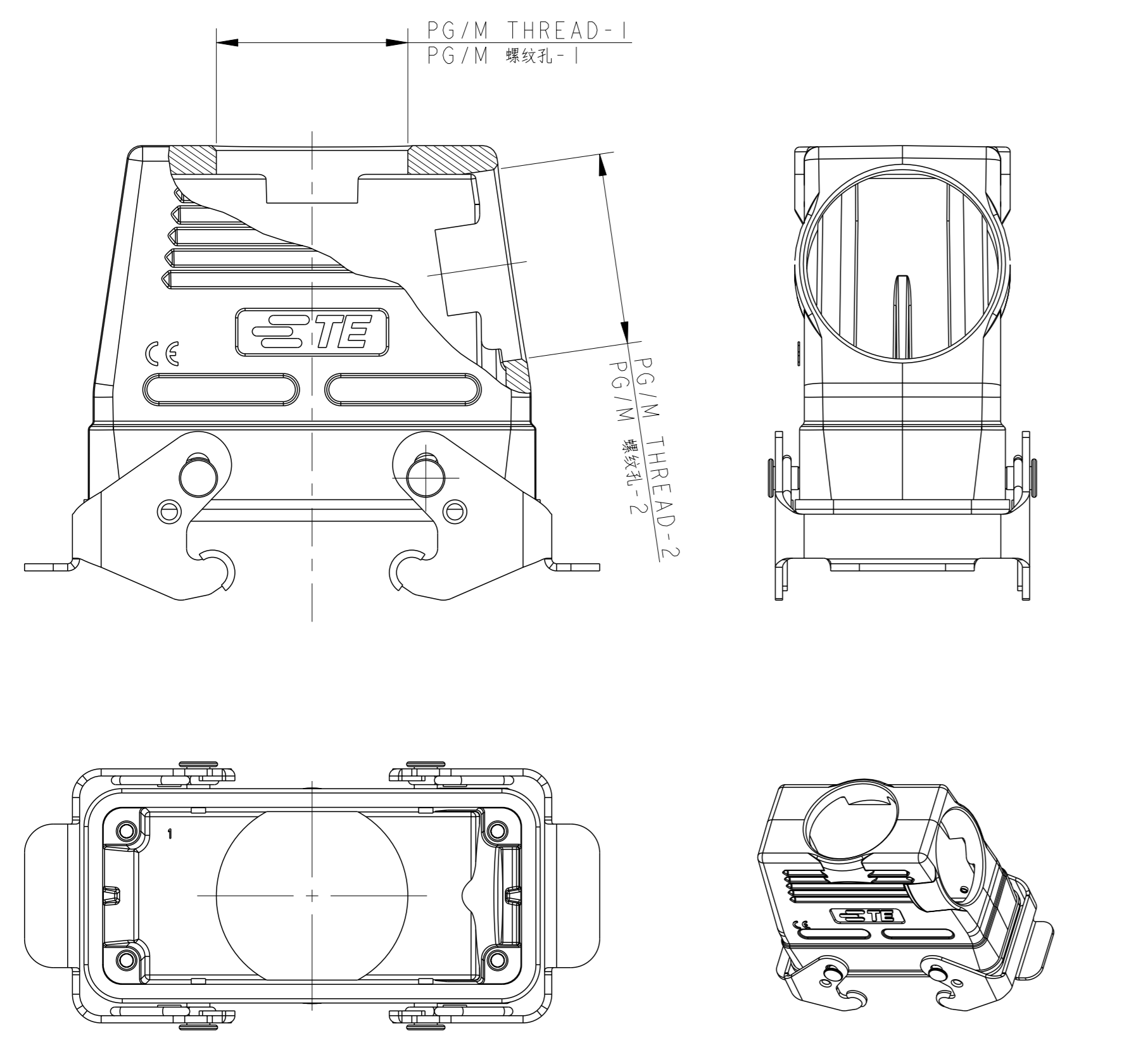
TYPE 5: HIGH CONSTRUCTION + STAINLESS STEEL DOUBLE LOCKING  
类型5: 高结构壳体+不锈钢双扣



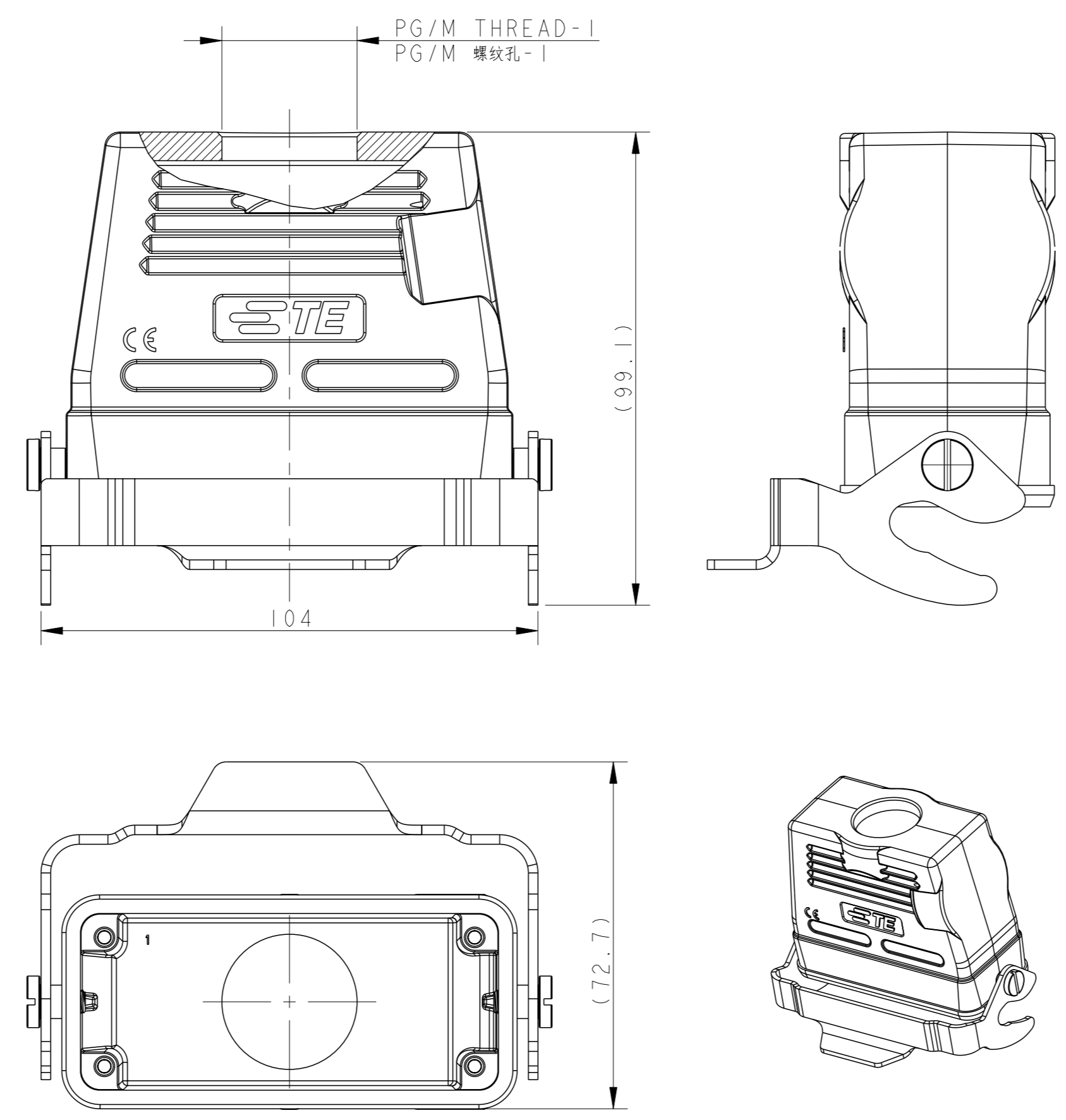
TYPE 6: HIGH CONSTRUCTION + METAL DOUBLE LOCKING  
OTHER SPEC REFER TO TYPE 5  
类型6: 高结构壳体+彩锌双扣, 其他规格参照类型5



TYPE 7: HIGH CONSTRUCTION + METAL DOUBLE LOCKING  
2 ENTRY HOLE  
OTHER SPEC REFER TO TYPE 6  
类型7: 高结构壳体+彩锌双扣, 2个进线孔, 其他规格参照类型6



TYPE 8: HIGH CONSTRUCTION + METAL DOUBLE LOCKING  
2 ENTRY HOLE  
OTHER SPEC REFER TO TYPE 6  
类型8: 高结构壳体+彩锌双扣, 2个进线孔, 其他规格参照类型6



TYPE 9: HIGH CONSTRUCTION + METAL SINGLE LOCKING  
OTHER SPEC REFER TO TYPE 5  
类型9: 高结构壳体+彩锌单扣, 其他规格参照类型5

| PART NUMBER     | DESCRIPTION       | PG/M THREAD-1   | PG/M THREAD-2 | TYPE   |
|-----------------|-------------------|---|---------------|--------|
| T1750161121-000 | H16B-TBFHS-PG21   | H16B HOUSING, CABLE-TO-CABLE, STAINLESS STEEL DOUBEL LOCKING, TOP ENTRY PG21, HIGH CONSTRUCTION, POWDER COATED, GRAY      | PG21          | -      |
| T1750161129-000 | H16B-TBFHS-PG29   | H16B HOUSING, CABLE-TO-CABLE, STAINLESS STEEL DOUBEL LOCKING, TOP ENTRY PG29, HIGH CONSTRUCTION, POWDER COATED, GRAY      | PG29          | TYPE 5 |
| T1750161132-000 | H16B-TBFHS-M32    | H16B HOUSING, CABLE-TO-CABLE, STAINLESS STEEL DOUBEL LOCKING, TOP ENTRY M32, HIGH CONSTRUCTION, POWDER COATED, GRAY       | M32           | -      |
| T1750162121-000 | H16B-TBFH-PG21    | H16B HOUSING, CABLE-TO-CABLE, METAL DOUBEL LOCKING, TOP ENTRY PG21, HIGH CONSTRUCTION, POWDER COATED, GRAY                | PG21          | -      |
| T1750162125-000 | H16B-TBFH-M25     | H16B HOUSING, CABLE-TO-CABLE, METAL DOUBEL LOCKING, TOP ENTRY M25, HIGH CONSTRUCTION, POWDER COATED, GRAY                 | M25           | -      |
| T1750162129-000 | H16B-TBFH-PG29    | H16B HOUSING, CABLE-TO-CABLE, METAL DOUBEL LOCKING, TOP ENTRY PG29, HIGH CONSTRUCTION, POWDER COATED, GRAY                | PG29          | TYPE 6 |
| T1750162132-000 | H16B-TBFH-M32     | H16B HOUSING, CABLE-TO-CABLE, METAL DOUBEL LOCKING, TOP ENTRY M32, HIGH CONSTRUCTION, POWDER COATED, GRAY                 | M32           | -      |
| T1750162140-000 | H16B-TBFH-M40     | H16B HOUSING, CABLE-TO-CABLE, METAL DOUBEL LOCKING, TOP ENTRY M40, HIGH CONSTRUCTION, POWDER COATED, GRAY                 | M40           | -      |
| T1750162221-000 | H16B-TBFH-2PG21   | H16B HOUSING, CABLE-TO-CABLE, METAL DOUBEL LOCKING, TOP ENTRY 2PG21, HIGH CONSTRUCTION, POWDER COATED, GRAY               | PG21          | PG21   |
| T1750162225-000 | H16B-TBFH-2M25    | H16B HOUSING, CABLE-TO-CABLE, METAL DOUBEL LOCKING, TOP ENTRY 2M25, HIGH CONSTRUCTION, POWDER COATED, GRAY                | M25           | M25    |
| T1750164040-000 | H16B-TBFH-2M40    | H16B HOUSING, CABLE-TO-CABLE, METAL DOUBEL LOCKING, TOP ENTRY M40, SIDE ENTRY M40, HIGH CONSTRUCTION, POWDER COATED, GRAY | M40           | M40    |
| T1770162121-000 | H16B-TBFH-LB-PG21 | H16B HOUSING, CABLE-TO-CABLE, METAL SINGLE LOCKING, TOP ENTRY PG21, HIGH CONSTRUCTION, POWDER COATED, GRAY                | PG21          | -      |
| T1770162129-000 | H16B-TBFH-LB-PG29 | H16B HOUSING, CABLE-TO-CABLE, METAL SINGLE LOCKING, TOP ENTRY PG29, HIGH CONSTRUCTION, POWDER COATED, GRAY                | PG29          | TYPE 9 |
| T1770162132-000 | H16B-TBFH-LB-M32  | H16B HOUSING, CABLE-TO-CABLE, METAL SINGLE LOCKING, TOP ENTRY M32, HIGH CONSTRUCTION, POWDER COATED, GRAY                 | M32           | -      |

THIS DRAWING IS A CONTROLLED DOCUMENT.

|                  |  |                                 |                             |                           |
|------------------|--|---------------------------------|-----------------------------|---------------------------|
| DIMENSIONS:      | TOLERANCES UNLESS OTHERWISE SPECIFIED: | OWN: DAVID LI 06 JUL 2015       | CHK: CHRIS WANG 06 JUL 2015 | APV: XIANG XU 06 JUL 2015 |
| mm               | 0 PLC ±                                | NAME: H16B-TBFS/TBF/TBF-LB-PG/M |                             |                           |
| 1 PLC ±          | 1 PLC ±                                | SIZE: A1                        |                             |                           |
| 2 PLC ±          | 2 PLC ±                                | CAGE CODE: -                    |                             |                           |
| 3 PLC ±          | 3 PLC ±                                | DRAWING NO: -                   |                             |                           |
| 4 PLC ±          | 4 PLC ±                                | SCALE: 1:1                      |                             |                           |
| MATERIAL: TBD    | FINISH: -                              | SHEET 2 OF 2                    |                             |                           |
| CUSTOMER DRAWING |  | REV: B1                         |                             |                           |

STE TE Connectivity

单击下面可查看定价，库存，交付和生命周期等信息

[>>TE Connectivity\(泰科\)](#)