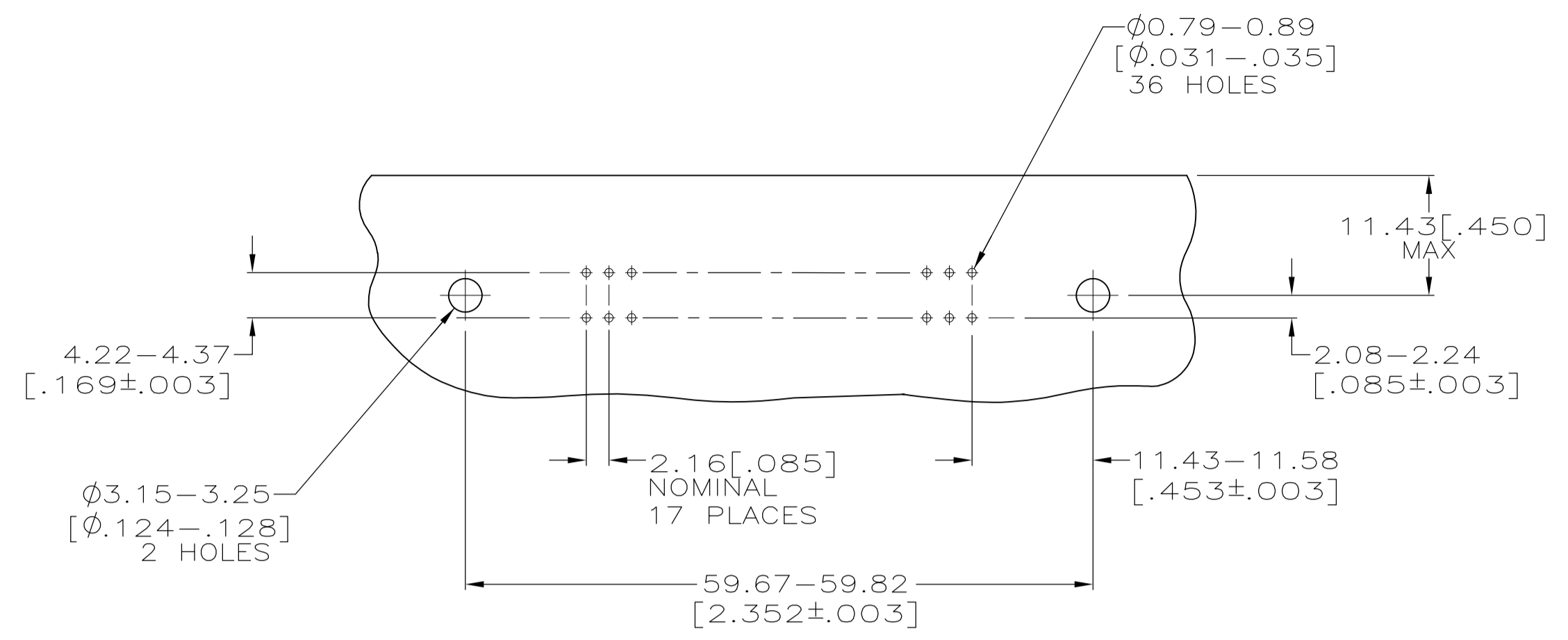
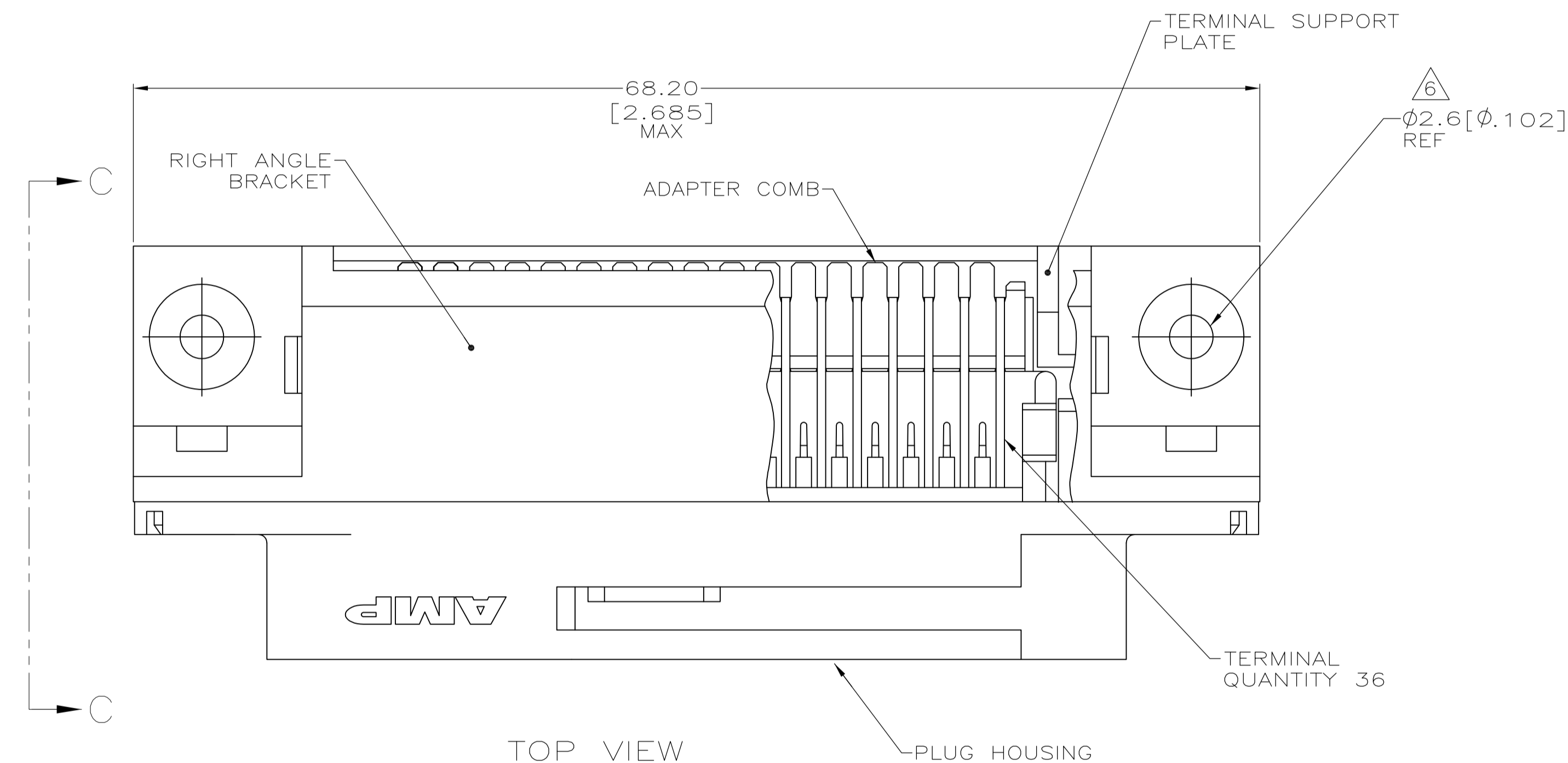


LOC		DIST		REVISIONS			
GP	00	REV	DATE	BY	CHK	APPV	
B		REVISED PER ECO-08-007327	08APR08	BM		WM	
B1		REVISED PER ECO-09-024927	10NOV09	KK		AEG	

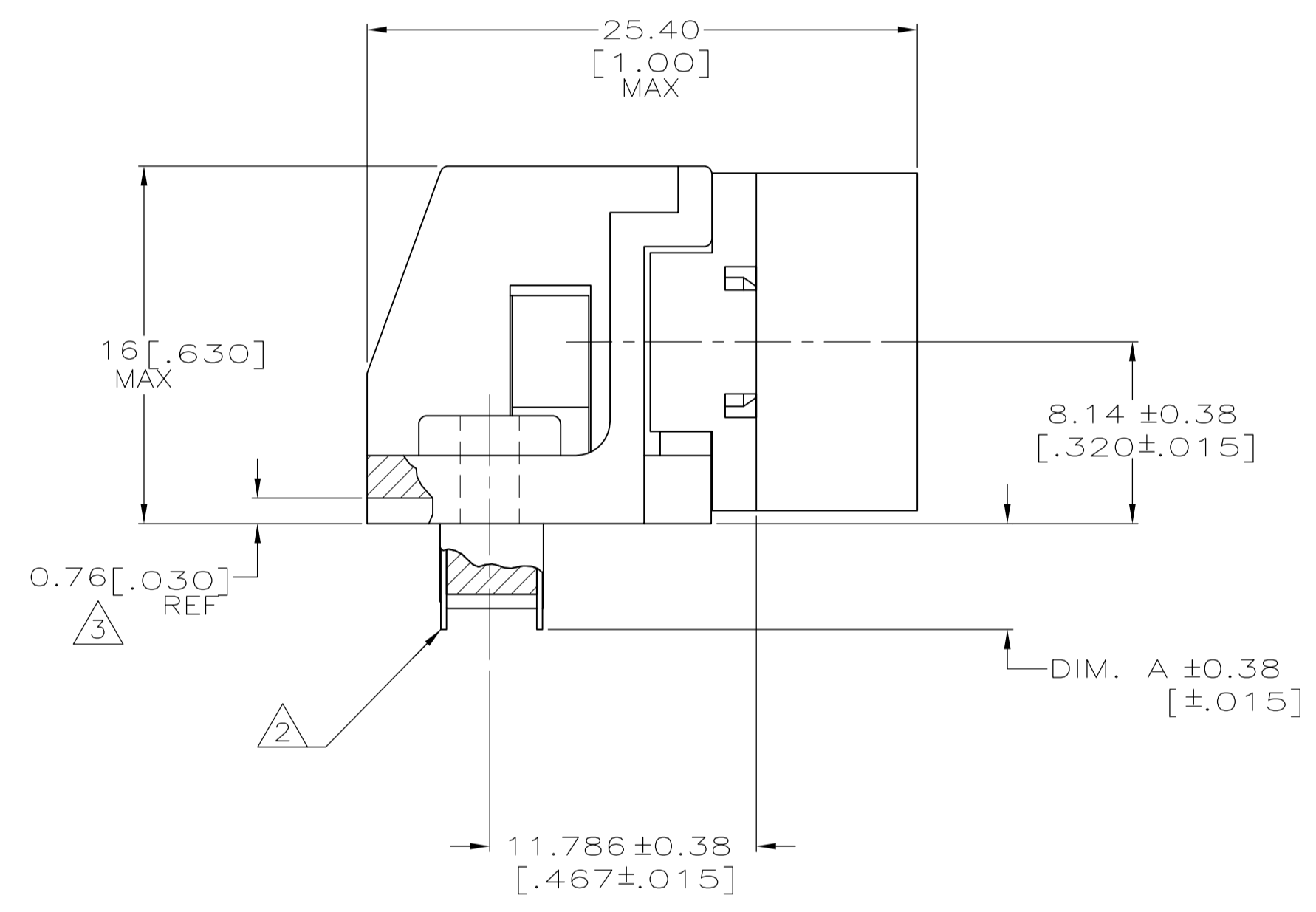


SUGGESTED PRINTED CIRCUIT BOARD MOUNTING DIMENSIONS SCALE 2:1

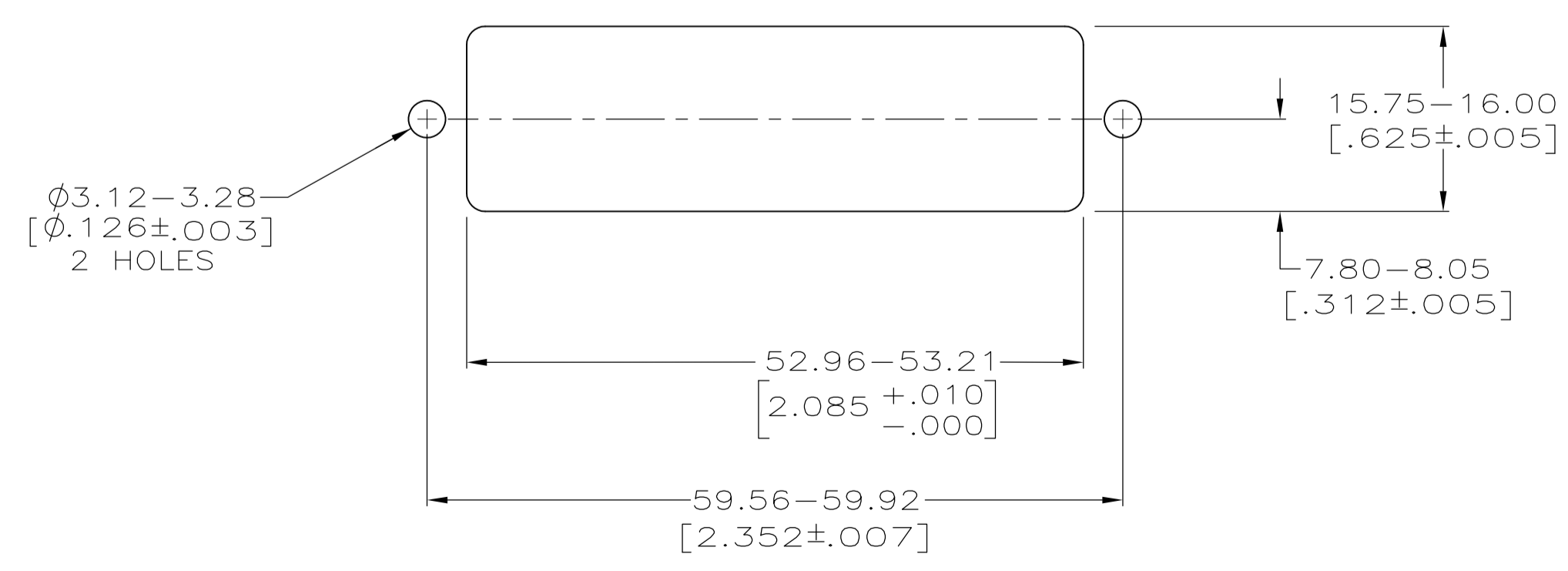
- 1 MATERIAL: HOUSING, BRACKET, PLATE & COMB - THERMOPLASTIC, BLACK, 94V-0 RATED. TERMINALS - HIGH STRENGTH COPPER ALLOY PLATED WITH EITHER 0.76μm [.000030] MIN GOLD PLATE OR GOLD FLASH OVER PALLADIUM NICKEL PLATE, 0.76μm [.000030] MIN TOTAL ON MATING SURFACE. 3.05μm [.000120] MIN TIN PLATE ON TAILS. ALL OVER 1.27μm [.000050] MIN NICKEL UNDERPLATE OVER ENTIRE TERMINAL.
- 2 TERMINAL 1 IS LOCATED IN THIS ROW FOR STANDARD ORIENTATION, 5552743-1 AND -5.
- 3 TERMINAL SUPPORT PLATE CLEARANCE FOR TERMINAL STRAIN RELIEF AND FLUX REMOVAL.
- 4 MAXIMUM PANEL THICKNESS: 1.57 [.062].
- 5 DETAIL "A" IS VIEWED FROM MATING SIDE OF PLUG ASSEMBLY.
- 6 FOR USE WITH A NO.4 BT TYPE SELF-TAPPING SCREW.
- 7. IF TERMINALS DO NOT EXTEND BELOW COMB, THEN COMB SHOULD BE PARTIALLY RETRACTED BEFORE INSERTING CONNECTOR INTO PRINTED CIRCUIT BOARD.
- 8 OBSOLETE PARTS: OBSOLETE CIS STREAMLINING PER D.RENAUD/D.SINISI



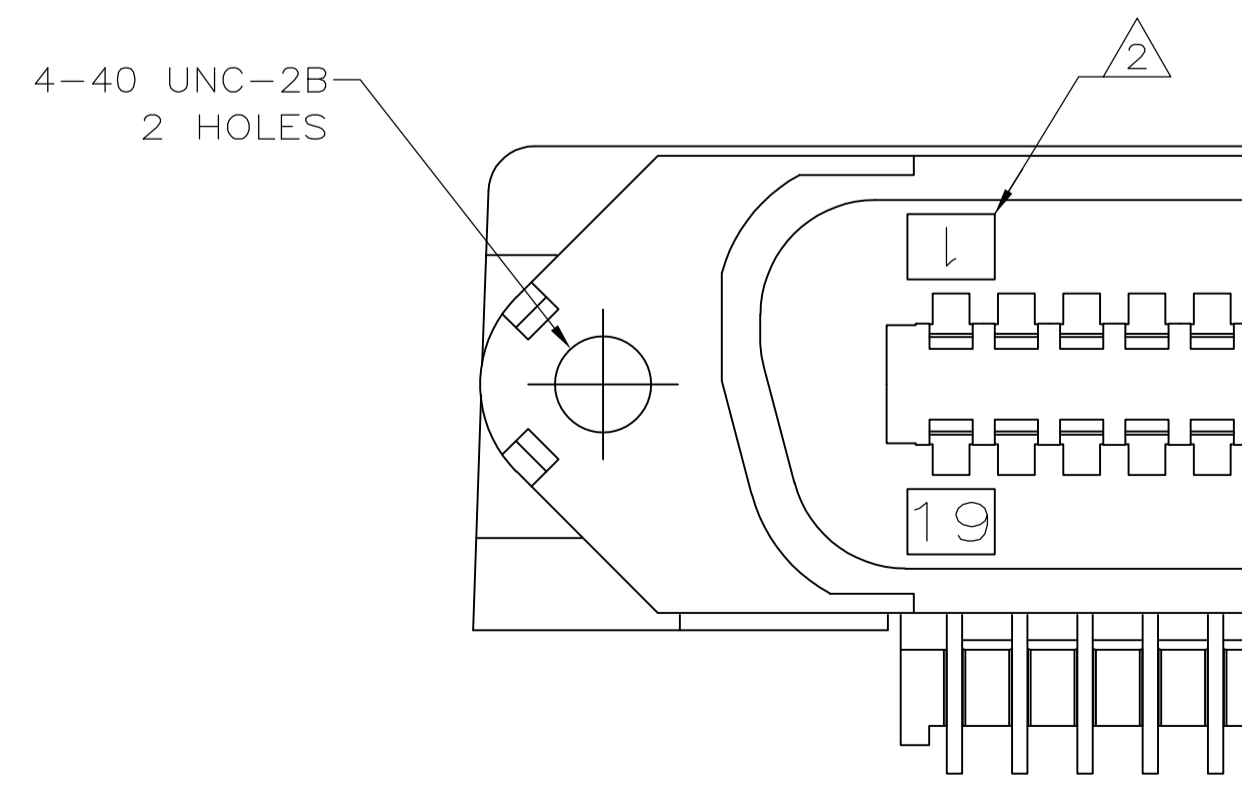
TOP VIEW



VIEW C-C ROTATED 90° CCW



SUGGESTED REAR PANEL MOUNTING CUTOUT DIMENSIONS SCALE 2:1



DETAIL A STANDARD ORIENTATION

OBSOLETE	2.54 [.100]	SELF-TAPPING	SEE DETAIL A	5552743-5
	4.75 [.187]	SELF-TAPPING	SEE DETAIL A	5552743-1
	DIM. A	TYPE OF MOUNTING	DESCRIPTION	PART NUMBER

THIS DRAWING IS A CONTROLLED DOCUMENT.		DIN B	MCMASTER	15AUG05	Tyco Electronics Corporation Harrisburg, PA 17105-3608
DIMENSIONS: mm [INCHES]		CHK W	MILLHIMES	15AUG05	
TOLERANCES UNLESS OTHERWISE SPECIFIED:		APPV W	WALMSLEY	15AUG05	NAME
0 PLC	± -	PRODUCT SPEC			PLUG ASSEMBLY, 36 POSITION, RIGHT ANGLE, SELF-TAPPING, CHAMP-LOK®
1 PLC	± -	APPLICATION SPEC			
2 PLC	± -	SIZE			
3 PLC	± 0.13 [.005]	CAGE CODE			
4 PLC	± -	DRAWING NO			RESTRICTED TO
ANGLES	± -	WEIGHT			
MATERIAL		CUSTOMER DRAWING			
FINISH		SCALE 4:1			SHEET 1 OF 1
		A1 00779 C=5552743			REV B1

单击下面可查看定价，库存，交付和生命周期等信息

[>>TE Connectivity\(泰科\)](#)