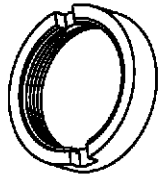
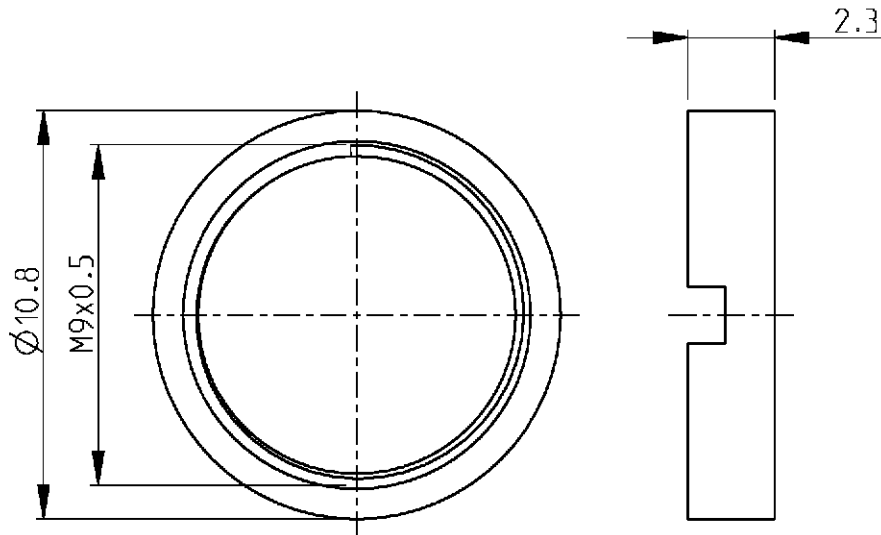


LOC	DIST	REVISIONS					
GW	-	P	LTR	DESCRIPTION	DATE	DWN	APVD
			A	-		05FEB2001	BL



2:1



△2 Material : Brass

Plating : Nickel min 2 μm .

△1 Tolerance : ISO 8015 ISO 2768-m-R

Cross reference tabel

Old part number	Tyco part number
C42334-A76-C6	1-1393562-0



1:1

2000

RELEASED FOR PUBLICATION

THIS DRAWING IS UNPUBLISHED.

BY TYCO ELECTRONICS CORPORATION. ALL RIGHTS RESERVED.

© COPYRIGHT 2000

DIMENSIONS: mm	DWN B. Lenvain	21FEB2001	MATERIAL	△2	FINISH	-
	CHR K. Mattheeuws	22FEB2001	Tyco Electronics Oostkamp - Belgium			
TOLERANCES UNLESS OTHERWISE SPECIFIED:	APVD D. Bozzer	23FEB2001				
0 PLC ±	PRODUCT SPEC	-	SIZE	CAGE CODE	DRAWING NO	RESTRICTED TO
1 PLC ±	APPLICATION SPEC	-	A 4	00779	©=1-1393562-0	-
2 PLC ±	WEIGHT	-	CUSTOMER DRAWING			
3 PLC ±			SCALE	SHEET	OF	REV
4 PLC ±			5/1	1	1	A
ANGLES ±						

单击下面可查看定价，库存，交付和生命周期等信息

[>>TE Connectivity\(泰科\)](#)