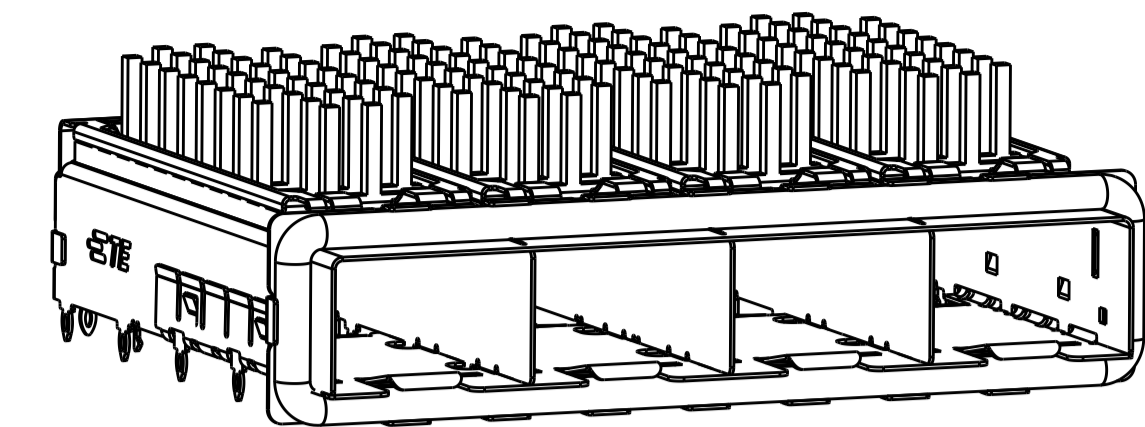


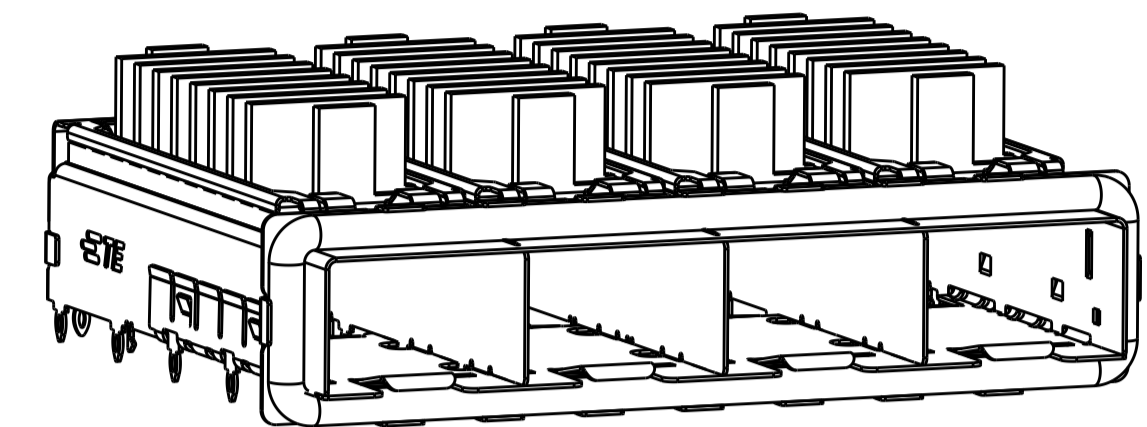
| LOC | DIST | REVISIONS | | | | | |
|-----|------|-----------|-----|----------------------------|-----------|-----|------|
| GP | 00 | P | LTN | DESCRIPTION | DATE | DWN | APVD |
| | | A | | RELEASED PER ECO-12-013192 | 09OCT2012 | BMM | MRS |
| | | A1 | | RELEASED PER ECO-13-014600 | 20SEP2013 | PP | SH |
| | | A2 | | REVISED PER ECR-17-016799 | 01DEC2017 | IT | SH |



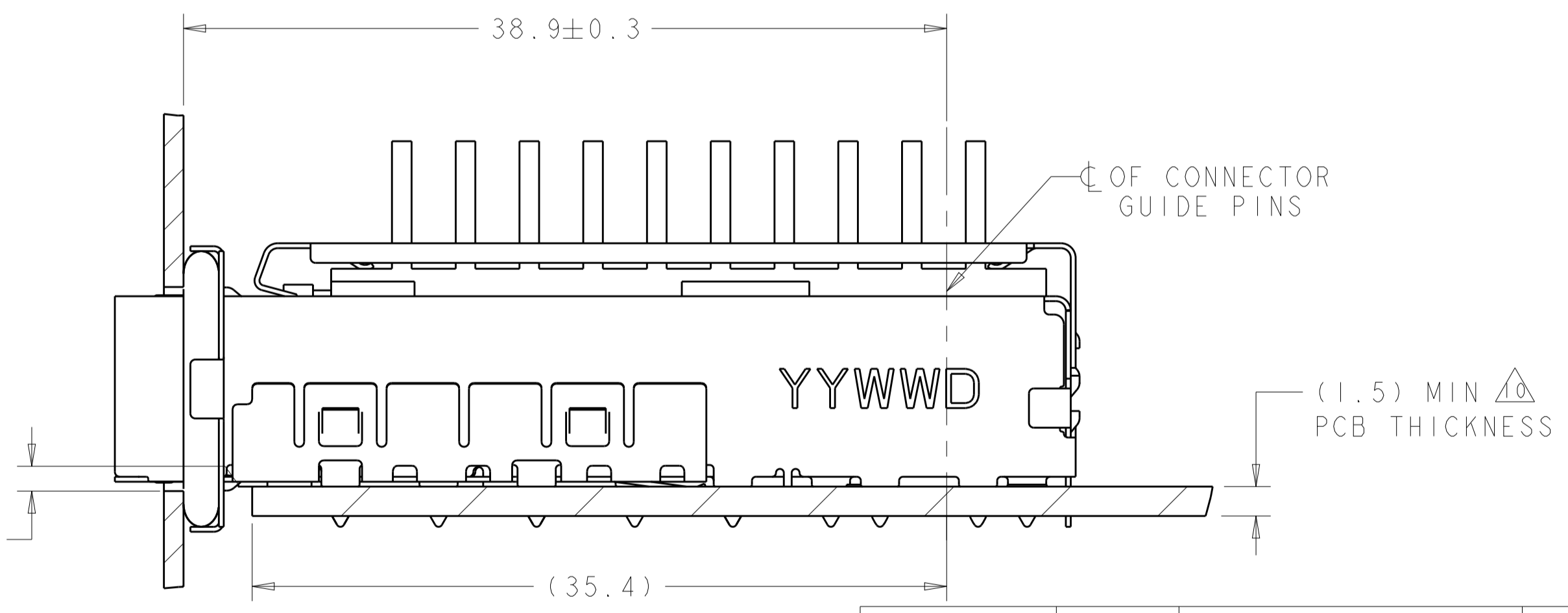
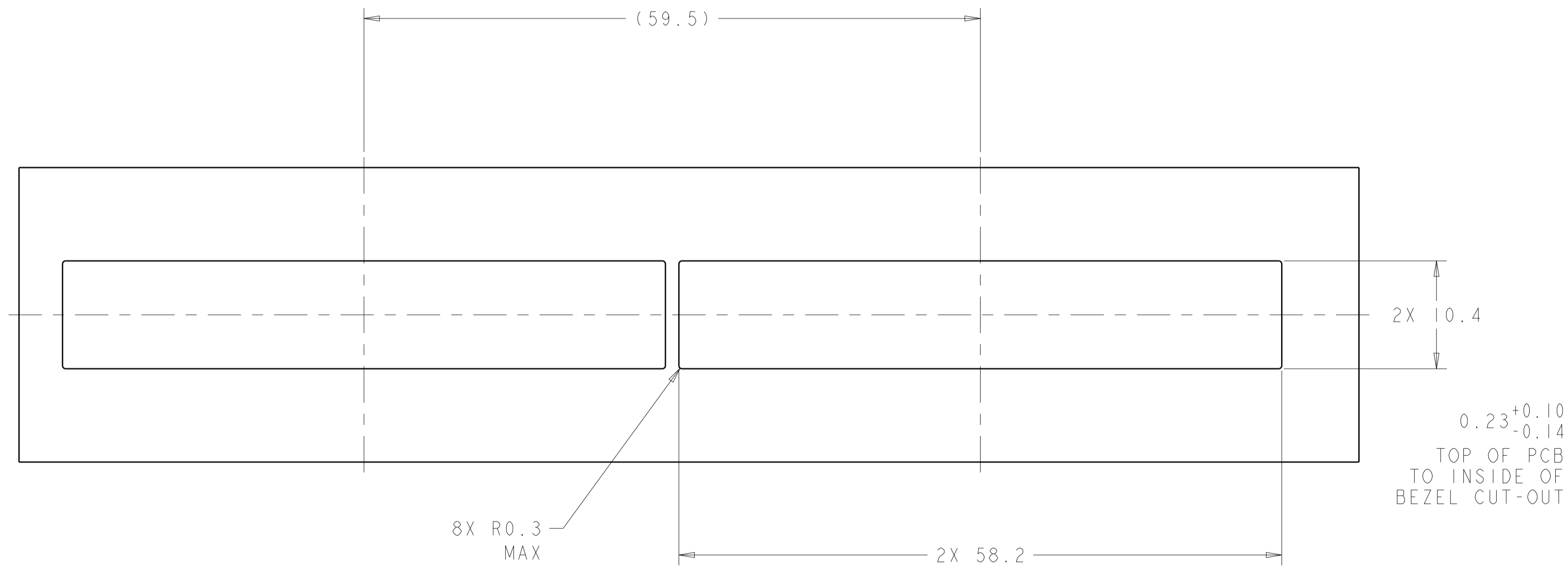
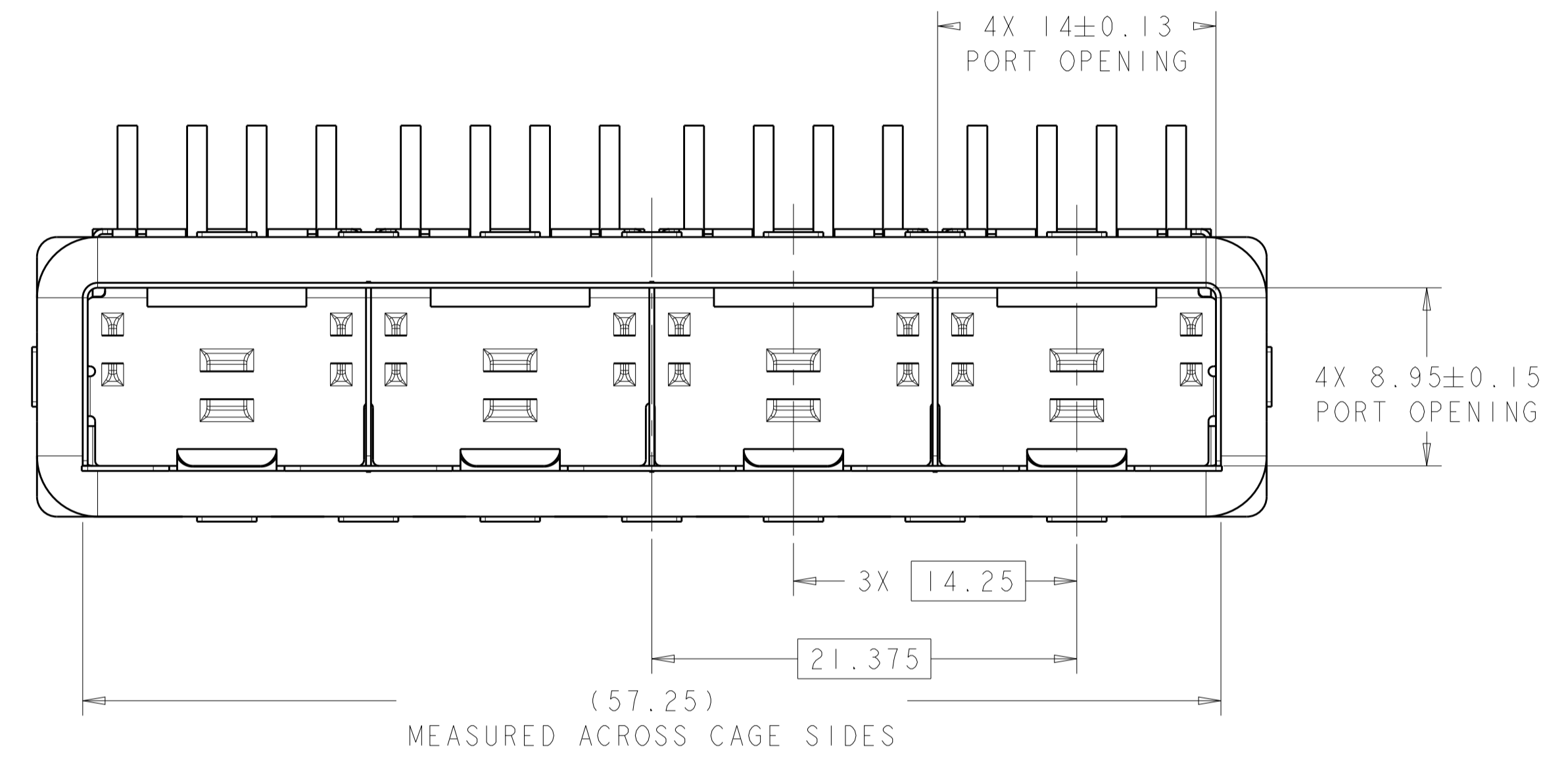
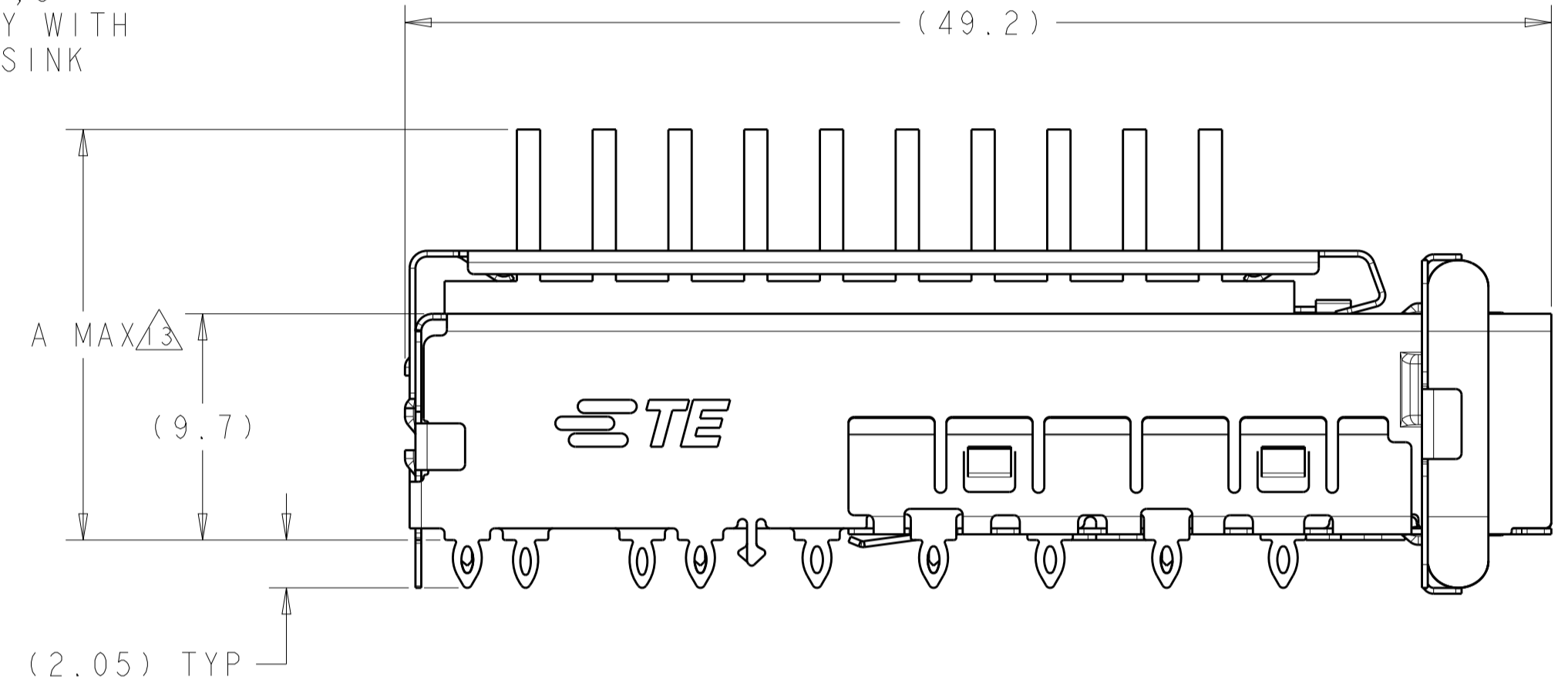
2198241-1,2,3,4
FINISHED ASSEMBLY WITH
PIN TYPE HEAT SINK

- 1 MATERIAL:
CAGE ASSEMBLY: 0.25mm THICK NICKEL SILVER ALLOY
GASKET RETENTION PLATE: STAINLESS STEEL
EMI GASKET: PLATED FILLED SILICONE
HEATSINK CLIP: STAINLESS STEEL
HEATSINK: ALUMINUM
- 2 FINISH:
HEATSINK: ELECTROLESS NICKEL
HEATSINK CLIP: PASSIVATE
- 3 PADS AND VIAS CHASSIS GROUND.
- 4 DATUM AND BASIC DIMENSION ESTABLISHED BY CUSTOMER.
- 5 MATES WITH SFP MSA COMPLIANT TRANSCEIVERS.
- 6 INTERPRETATION OF DATUM REFERENCE FRAME IN ACCORDANCE WITH SECT 4.4.1.1 OF ASME Y14.5M-1994.
- 7 REFERENCE APPLICATION SPEC. 114-13120, HOLE A, FOR RECOMMENDED DRILL HOLE DIAMETER AND PLATING THICKNESS.
- 8 REFERENCE APPLICATION SPEC. 114-13120, HOLE B, FOR RECOMMENDED DRILL HOLE DIAMETER AND PLATING THICKNESS.
- 9 HOLE PATTERN REPEATS FOR EACH PORT. SPACING BETWEEN PORTS IS 14.25mm.

- 10 MINIMUM PC BOARD THICKNESS:
SINGLE SIDED: 1.5mm
- 11 CERTAIN MATING TRANSCEIVERS MAY REQUIRE ADDITIONAL PCB THICKNESS THAT WOULD NEED TO BE DETERMINED BY THE CUSTOMER.
- 12 PRODUCT COMPLIES WITH SPECIFICATION SFF-8433 IMPROVED PLUGGABLE FORM FACTOR FOR SFP+ GANGED CAGES.
- 13 DIMENSION APPLIES PRIOR TO INSERTION OF SFP MODULE.



2198241-5,6,7,8
FINISHED ASSEMBLY WITH
FIN TYPE HEAT SINK



RECOMMENDED BEZEL CUT-OUT
SINGLE SIDED APPLICATIONS
SCALE 3:1

2198241
MOUNTED ON PC BOARD
SHOWN THRU RECOMMENDED BEZEL

| | | | |
|-----------|-------|-------------------|-------------|
| FIN TYPE | 22.5 | NETWORKING, TALL | 2198241-8 |
| FIN TYPE | 18.1 | NETWORKING, SHORT | 2198241-7 |
| FIN TYPE | 15.5 | SAN | 2198241-6 |
| FIN TYPE | 13.2 | PCI | 2198241-5 |
| PIN TYPE | 22.5 | NETWORKING, TALL | 2198241-4 |
| PIN TYPE | 18.1 | NETWORKING, SHORT | 2198241-3 |
| PIN TYPE | 15.5 | SAN | 2198241-2 |
| PIN TYPE | 13.2 | PCI | 2198241-1 |
| HEAT SINK | A MAX | APPLICATION | PART NUMBER |

THIS DRAWING IS A CONTROLLED DOCUMENT.

DIMENSIONS: mm

TOLERANCES UNLESS OTHERWISE SPECIFIED:

| | |
|--------|------|
| 0 PLC | ±0.1 |
| 1 PLC | ±0.1 |
| 2 PLC | ±0.1 |
| 3 PLC | ±0.1 |
| 4 PLC | ±0.1 |
| ANGLES | ±1° |

MATERIAL:

FINISH:

Customer Drawing

DWN: B. MATTHEWS, 20OCT2011
 CHK: M. SCHMITT, 20OCT2011
 APVD: M. SCHMITT, 20OCT2011

NAME: SFP+ ENHANCED 1X4 CAGE ASSEMBLY, PRESS FIT, EMI GASKET WITH HEATSINK

PRODUCT SPEC: 108-2364

APPLICATION SPEC: 114-13120

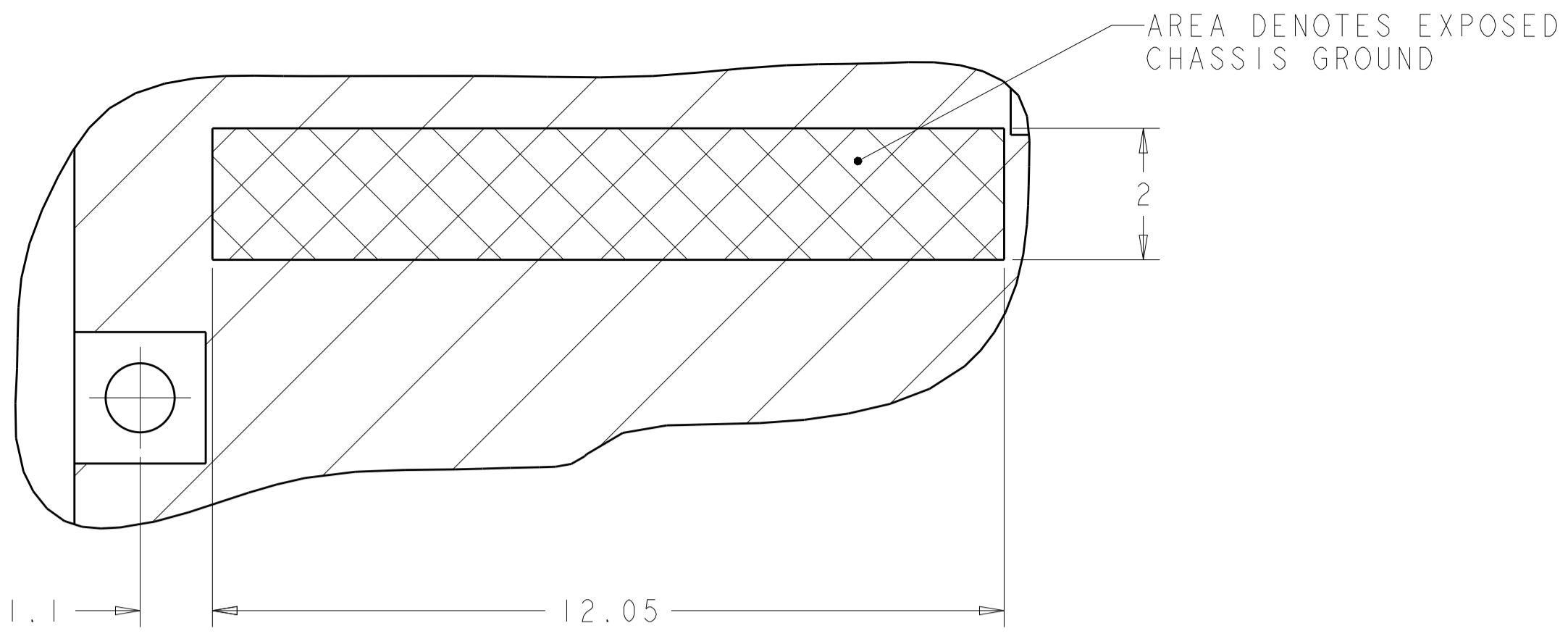
SIZE: A1
 CAGE CODE: 00779
 DRAWING NO: 2198241

RESTRICTED TO: -

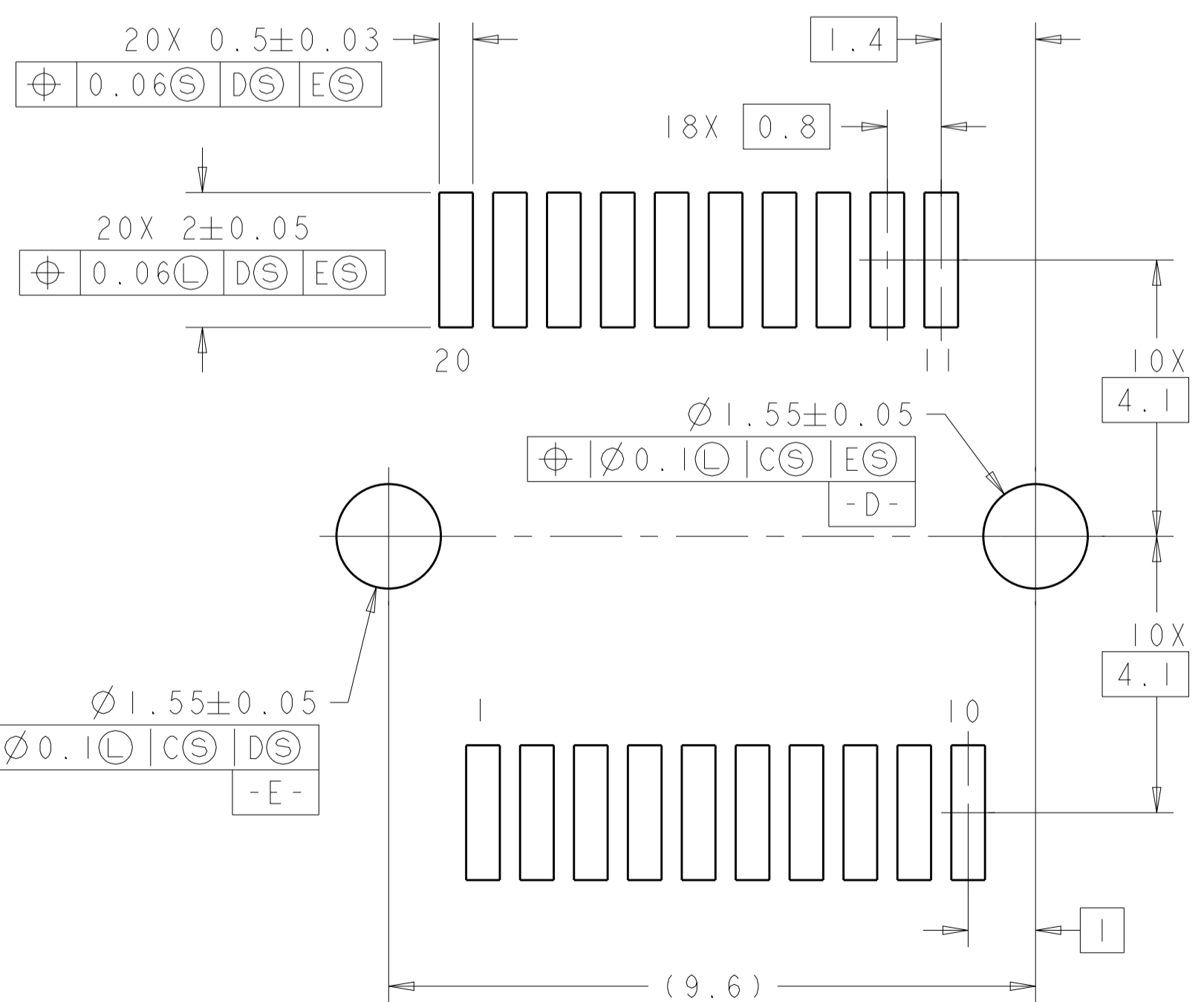
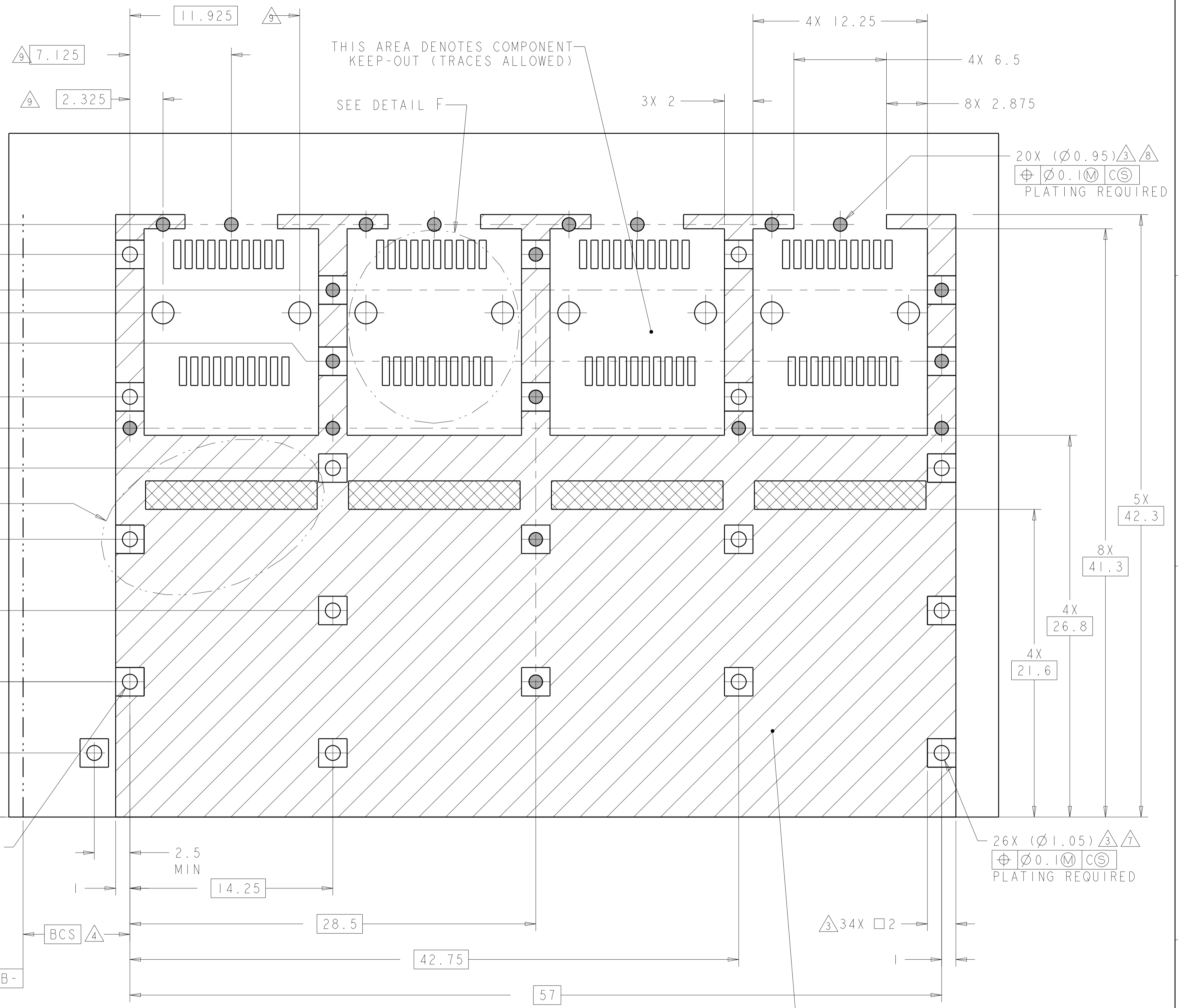
SCALE: 6:1 SHEET: 1 OF 2 REV: A2

| LOC | DIST | REV | DATE | APPV |
|-----|------|-----|------|------|
| GP | 00 | | | |

| REVISIONS | | | | |
|-----------|------|------|-------------|----|
| REV | DATE | APPV | DESCRIPTION | BY |
| - | - | - | SEE SHEET 1 | - |



DETAIL A
 4X INDIVIDUALLY
 SCALE 12:1



DETAIL F
 RECOMMENDED PT CONNECTOR LAYOUT
 4X INDIVIDUALLY
 SCALE 12:1

RECOMMENDED PCB CONFIGURATION
 WITH KEEP-OUT AREAS

CROSS-HATCHED AREA DENOTES
 COMPONENT AND TRACE KEEP-OUT
 (EXCEPT CHASSIS GROUND)

| | | | |
|--|------|----------------------------|--|
| THIS DRAWING IS A CONTROLLED DOCUMENT. | | OWN: B. MATTHEWS 20OCT2011 | TE Connectivity |
| DIMENSIONS: mm | | CHK: M. SCHMITT 20OCT2011 | |
| TOLERANCES UNLESS OTHERWISE SPECIFIED: | | APPV: M. SCHMITT 20OCT2011 | NAME: SFP+ ENHANCED 1X4 CAGE ASSEMBLY, PRESS FIT, EMI GASKET WITH HEATSINK |
| 0 PLC | ±0.1 | PRODUCT SPEC | 108-2364 |
| 1 PLC | ±0.1 | APPLICATION SPEC | 114-13120 |
| 2 PLC | ±0.1 | WEIGHT | A100779C=2198241 |
| 3 PLC | ±0.1 | Customer Drawing | SCALE 4:1 SHEET 2 OF 2 REV A2 |
| 4 PLC | ±0.1 | | |
| ANGLES | ±1° | | |

单击下面可查看定价，库存，交付和生命周期等信息

[>>TE Connectivity\(泰科\)](#)