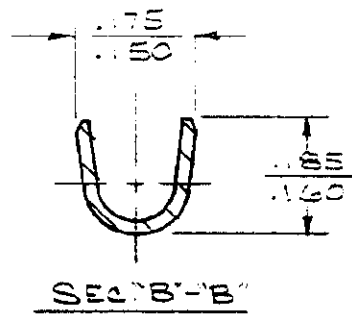
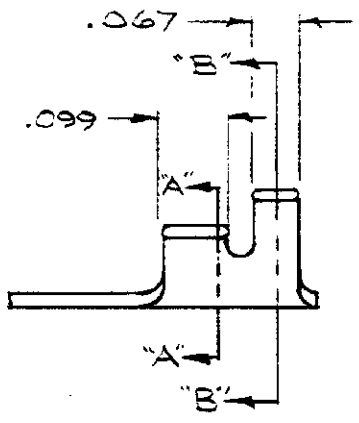
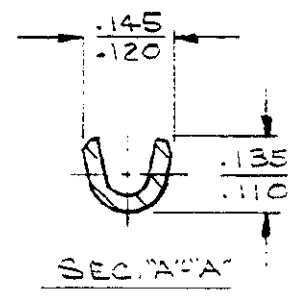
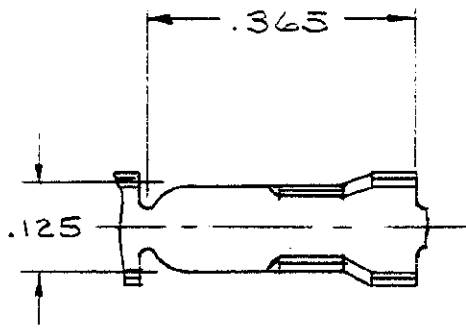


DRAWING MADE IN AMERICAN PROJECTION

NUMBER  
60581



CONTINUED STRIP ON REELS

PART NO.  
60581-1

DIMENSIONS IN INCHES. DO NOT SCALE PRINT.

©1972 BY AMP INCORPORATED. ALL RIGHTS RESERVED. AMP PRODUCTS COVERED BY PATENTS AND/OR PATENTS PENDING

**CUSTOMER COPY  
REFERENCE ONLY**

MATERIAL AND FINISH  
.020 STEEL  
TIN



AMP INCORPORATED  
HARRISBURG, PENNA.

WIRE — RANGE — INSULATION  
#20 — #16 | .090 — .130

CLASS —

TYPE —

TOLERANCE EXCEPT AS NOTED  
± .015

SCALE  
4x1

LOC  
AF

NO  
60581

REV

REVISION RECORD	ECN	DR	CHK	DATE
SEPARATED FROM 40990				
DR B. BANKS				5-25-72
CHK E.L. GOMBAR				10-3-72
APP B. OLSSON				10-9-72

NAME  
WELD TAB

单击下面可查看定价，库存，交付和生命周期等信息

[>>TE Connectivity\(泰科\)](#)