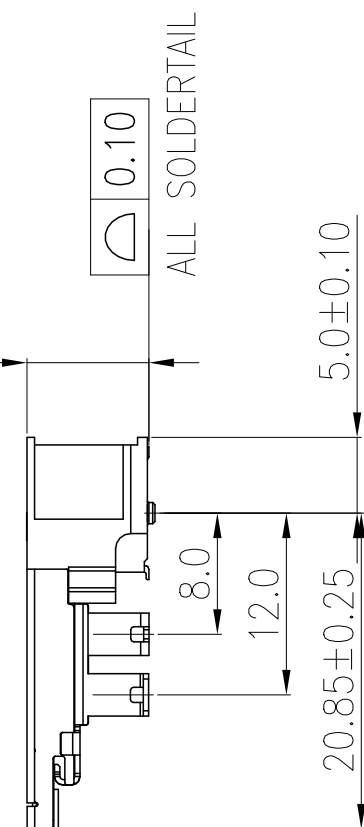
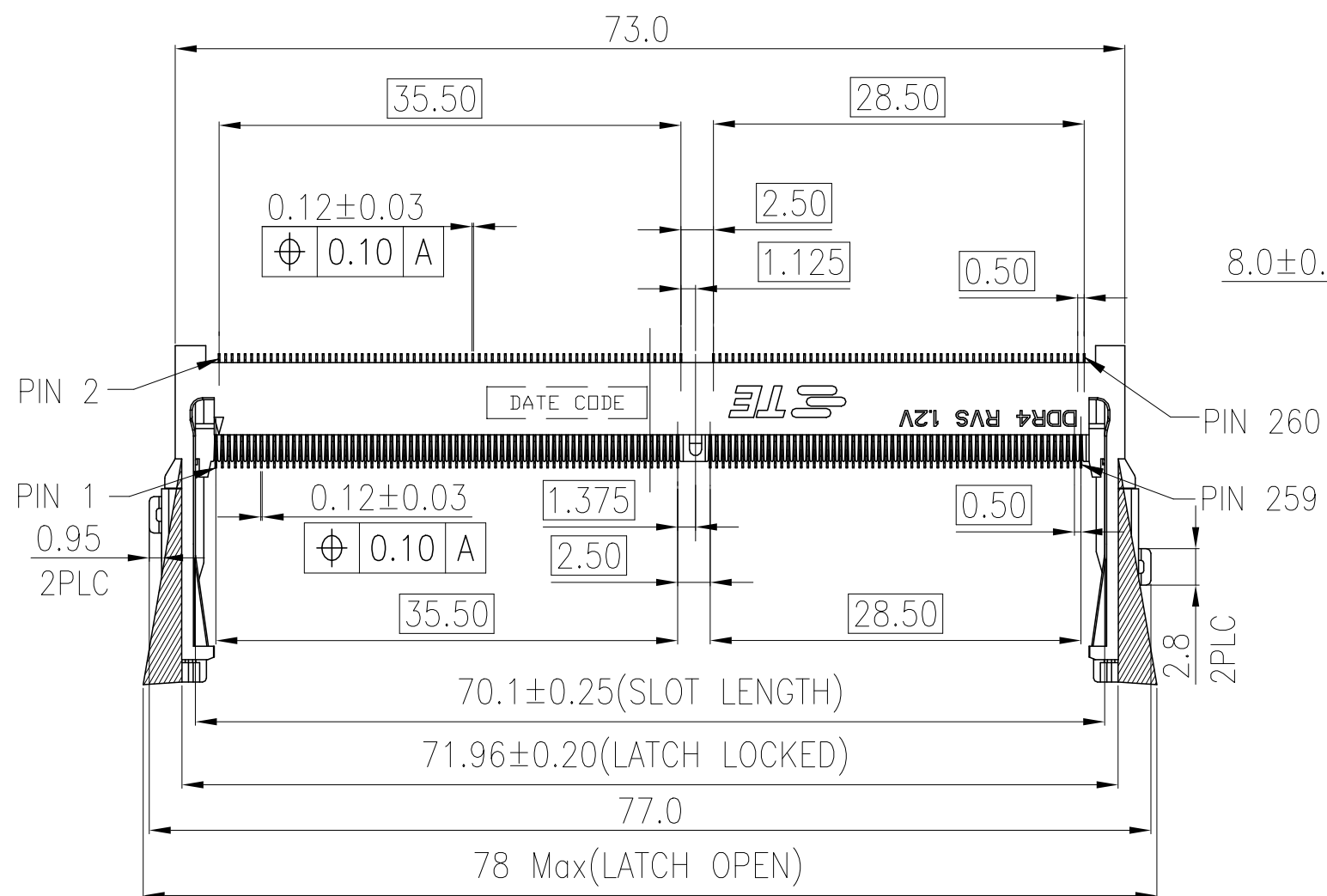
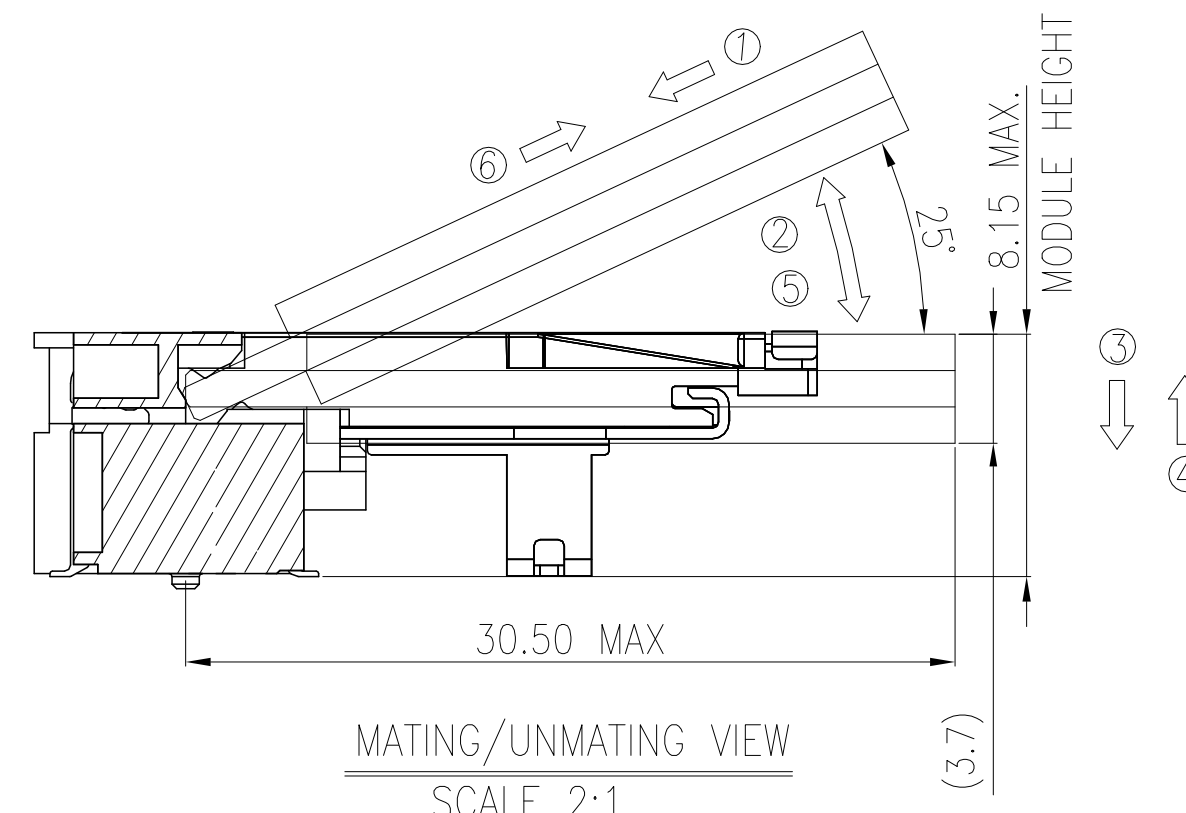
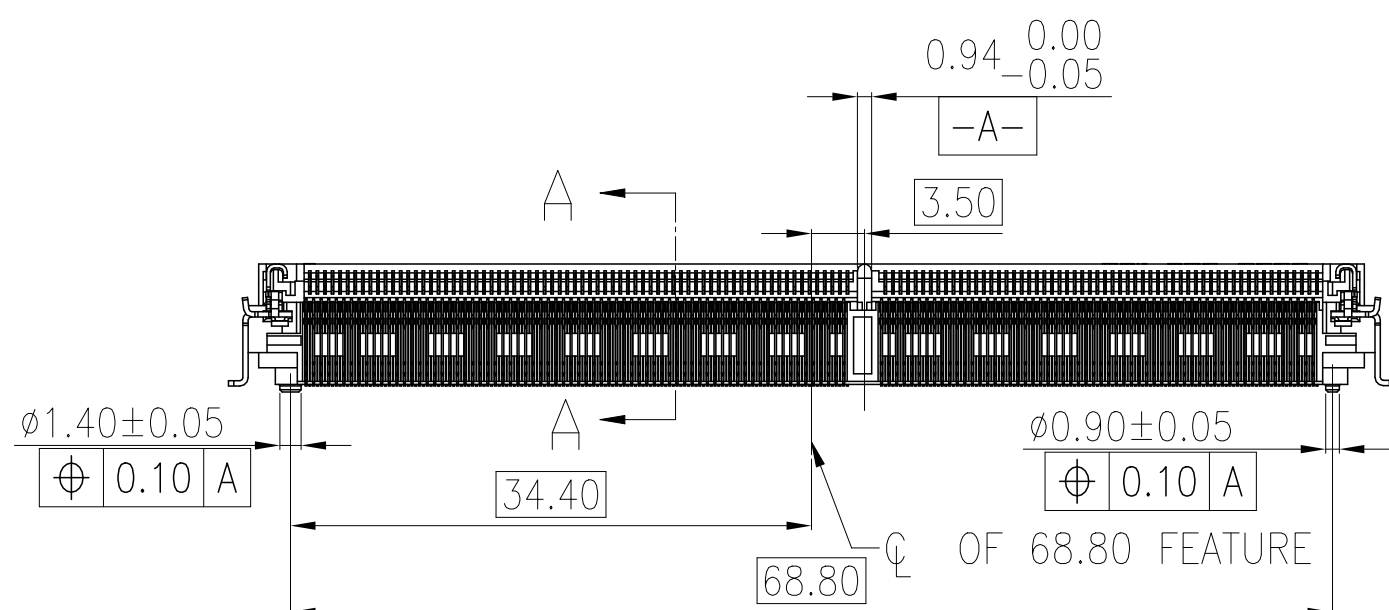


REVISIONS					
P	LTR	DESCRIPTION	DATE	DWN	APVD
4		CHANGE DIM 0.80 TO 0.74 +/-0.08	16NOV2020	SS	DZ

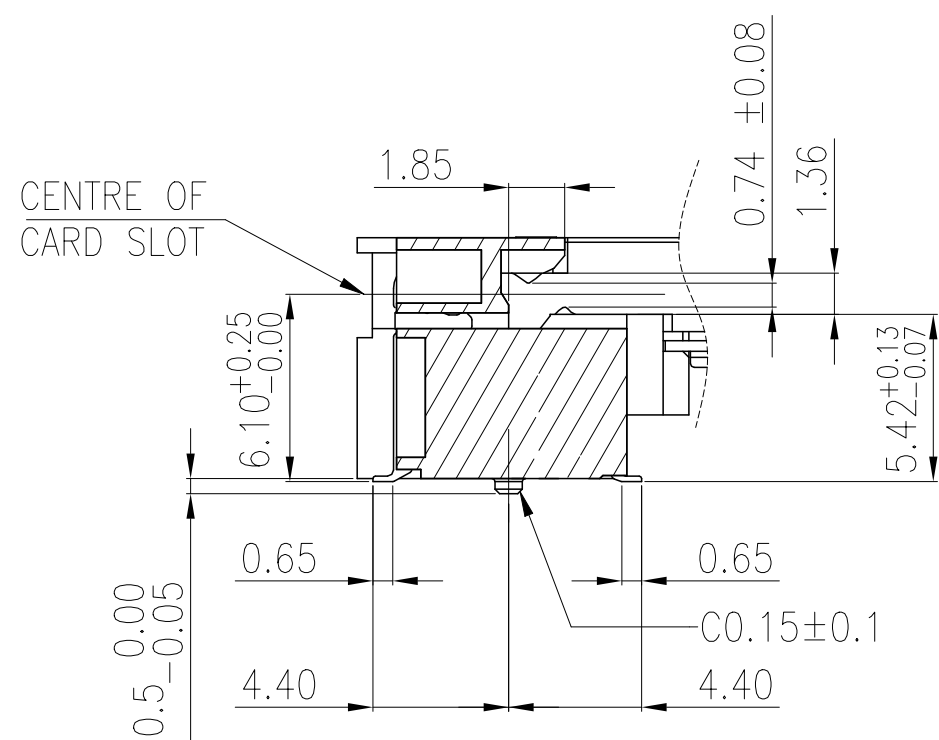


NOTES:

- MATERIAL:
  - HOUSING: HIGH TEMPERATURE THERMO PLASTIC, UL94V-0, COLOR: BLACK.
  - CONTACT: COPPER ALLOY.
  - SOLDER PEG AND LATCH: STAINLESS STEEL.
- FINISH:
  - SOLDER PEG: GOLD FLASH ON 50u" MIN NICKEL UNDERPLATED ALL OVER.
  - CONTACT SOLDER AREA: GOLD FLASH ON SOLDER TAIL.
  - CONTACT AREA: GOLD FLASH ON 50u" MIN NICKEL UNDERPLATED ALL OVER.
  - CONTACT AREA: 5u" ON 50u" MIN NICKEL UNDERPLATED ALL OVER.
  - CONTACT AREA: 10u" ON 50u" MIN NICKEL UNDERPLATED ALL OVER.
  - CONTACT AREA: 15u" ON 50u" MIN NICKEL UNDERPLATED ALL OVER.
  - CONTACT AREA: 30u" ON 50u" MIN NICKEL UNDERPLATED ALL OVER.
- COPLANARITY: 0.10 MAX. (BEFORE SOLDERING)



MATING: ① INSERTING(30°) → ② ROTATING → ③ FIXED  
 UNMATING: ④ UNFIXED → ⑤ ROTATING → ⑥ WITHDRAWING

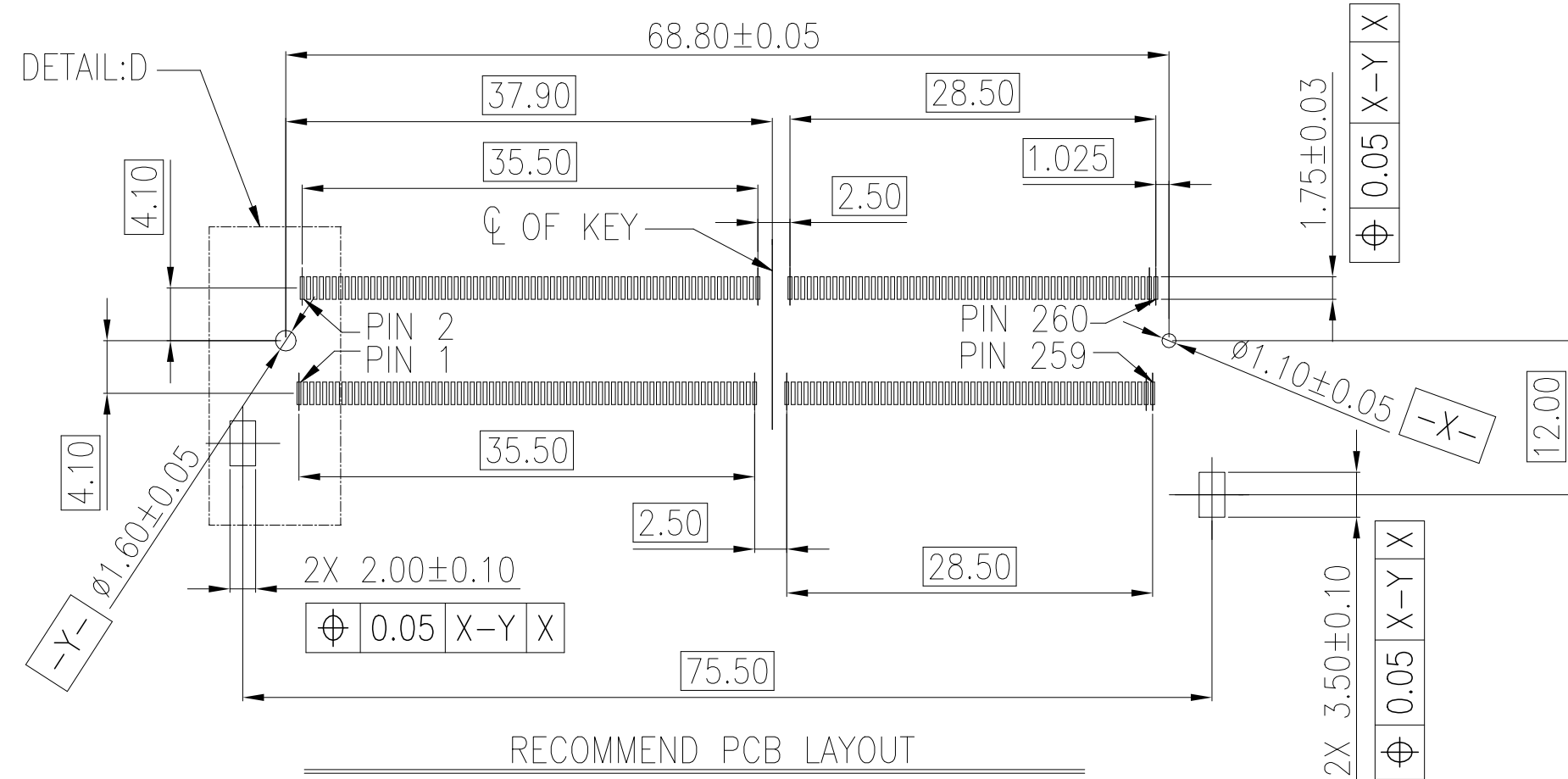
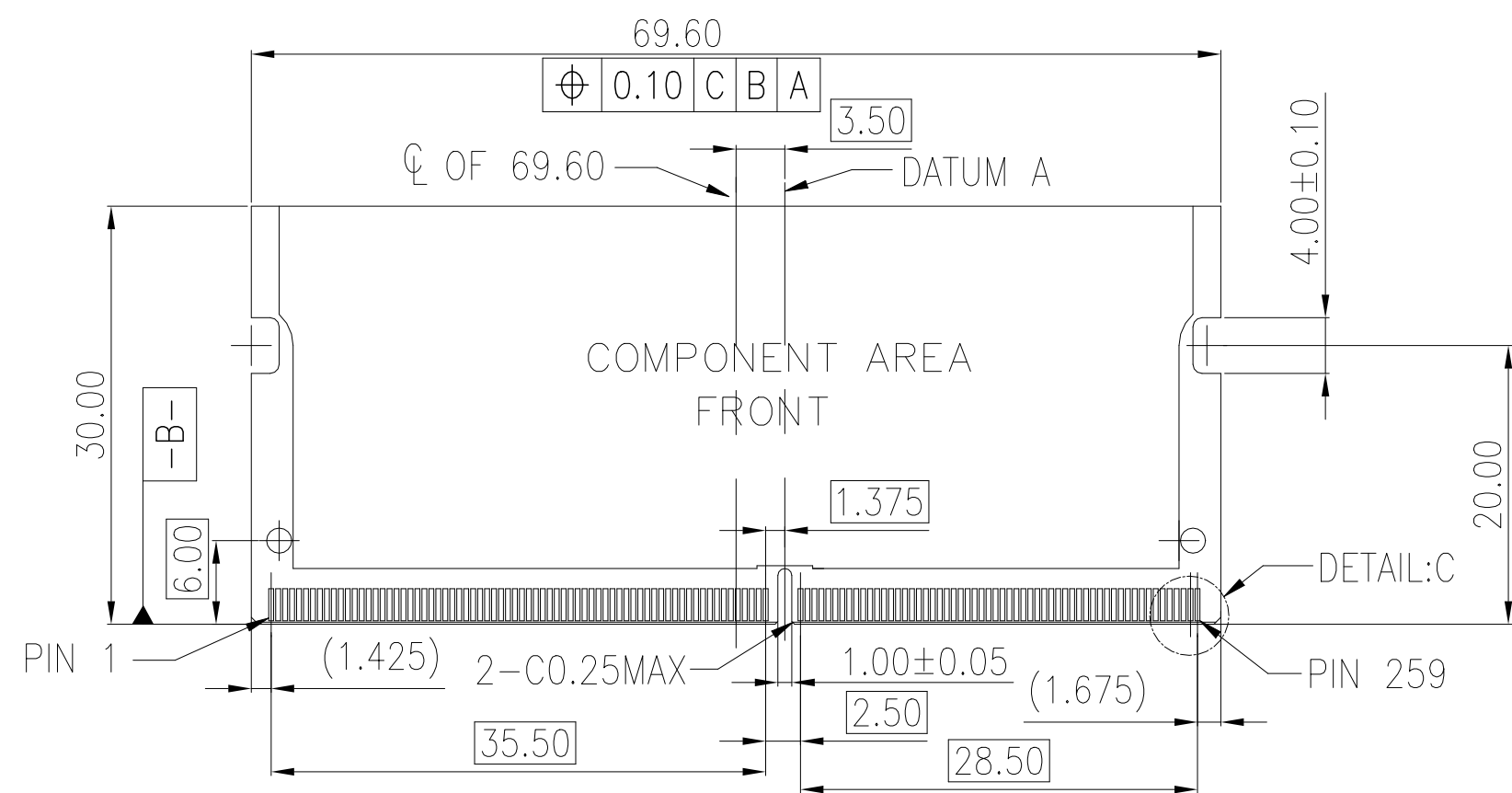


SECTION:A-A  
SCALE 2:1

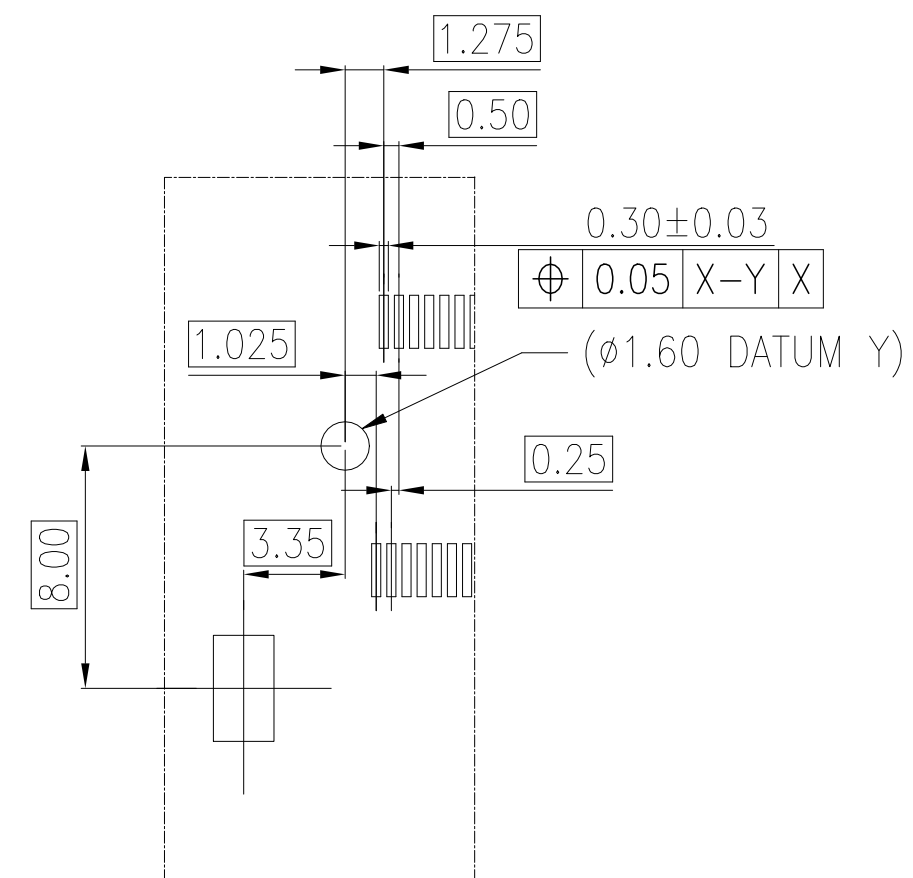
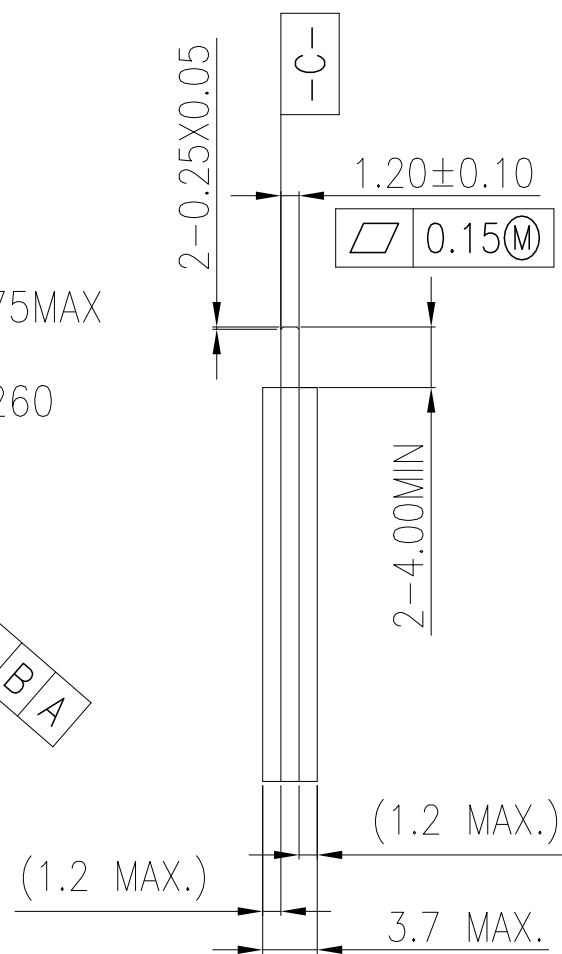
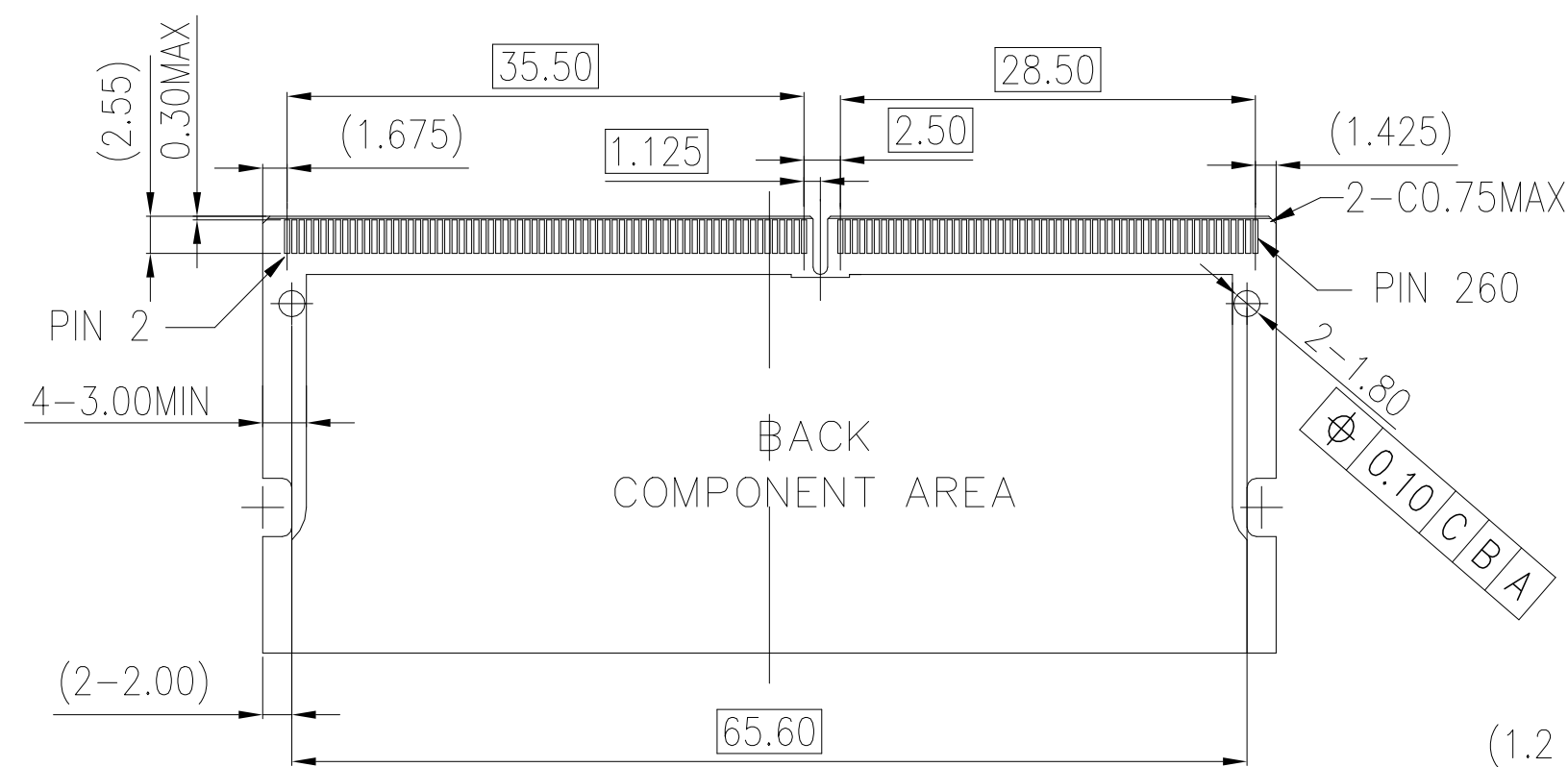
TAPE&REEL	BLACK	1.2V	30u"	260	2309412-5
TAPE&REEL	BLACK	1.2V	15u"	260	2309412-4
TAPE&REEL	BLACK	1.2V	10u"	260	2309412-3
TAPE&REEL	BLACK	1.2V	5u"	260	2309412-2
TAPE&REEL	BLACK	1.2V	GF	260	2309412-1
PACKING TYPE	HOUSING COLOR	POWER SUPPLY	FINISH	POS	PART NO.

THIS DRAWING IS A CONTROLLED DOCUMENT.		DWN DAVID ZHAO 09SEP2016			
DIMENSIONS: mm		CHK RICHARD MA 09SEP2016			
TOLERANCES UNLESS OTHERWISE SPECIFIED:		APVD SIMON LI 09SEP2016	NAME		
0 PLC ± -		PRODUCT SPEC	DDR4 SODIMM SOCKET		
1 PLC ± 0.25		APPLICATION SPEC	0.5mm PITCH 260POS		
2 PLC ± 0.15		108-115122	8.0mm HEIGHT REVERSE TYPE		
3 PLC ± 0.10			SIZE	CAGE CODE	DRAWING NO
4 PLC ± -			A2	00779	C=2309412
ANGLES ± -		WEIGHT	RESTRICTED TO		
FINISH		CUSTOMER DRAWING	SCALE 1:1	SHEET 1 of 3	REV 4

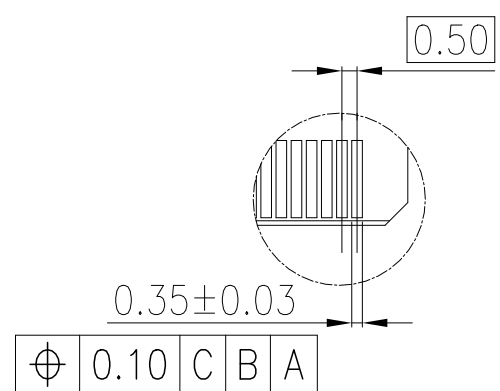
REVISIONS				
P	LTR	DESCRIPTION	DATE	OWN APVD
-	-	-	-	-



RECOMMEND PCB LAYOUT  
 THE TOLERANCE UNLESS SPECIFIED IS ±0.05MM



DETAIL:D  
 SCALE 2:1

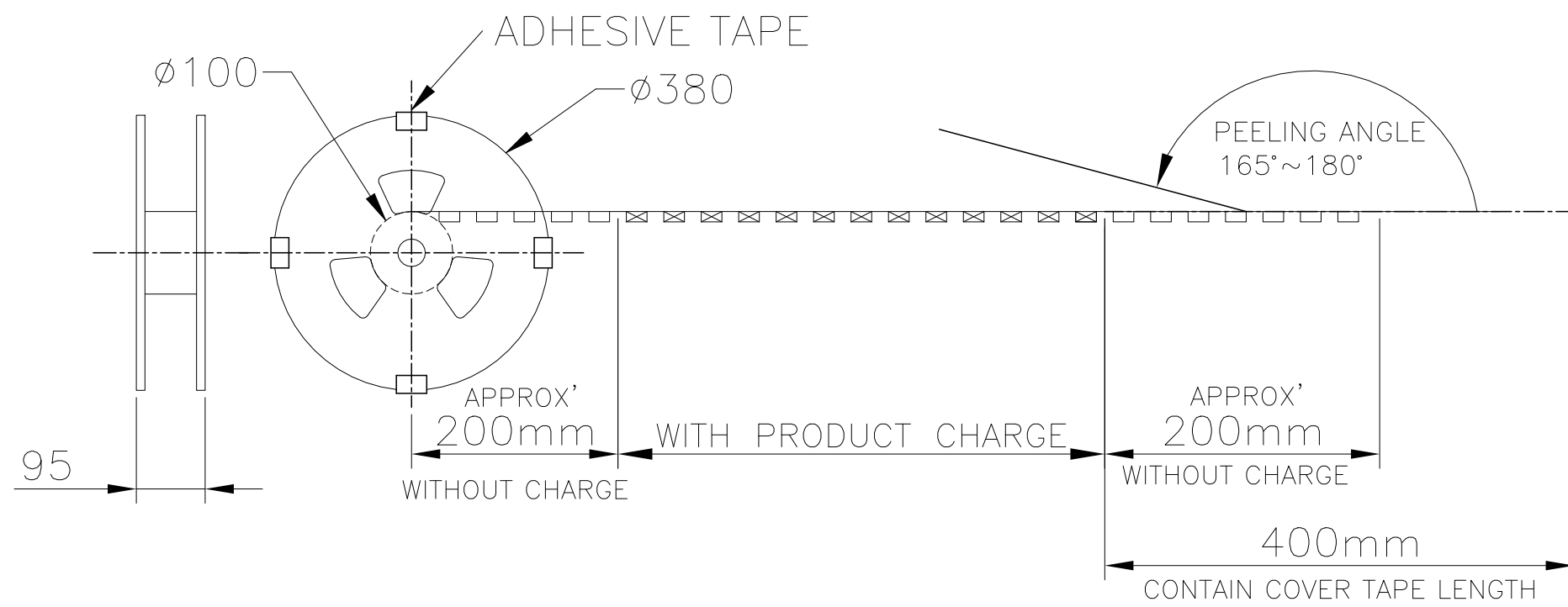


DETAIL:C  
 SCALE 2:1

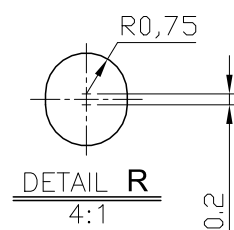
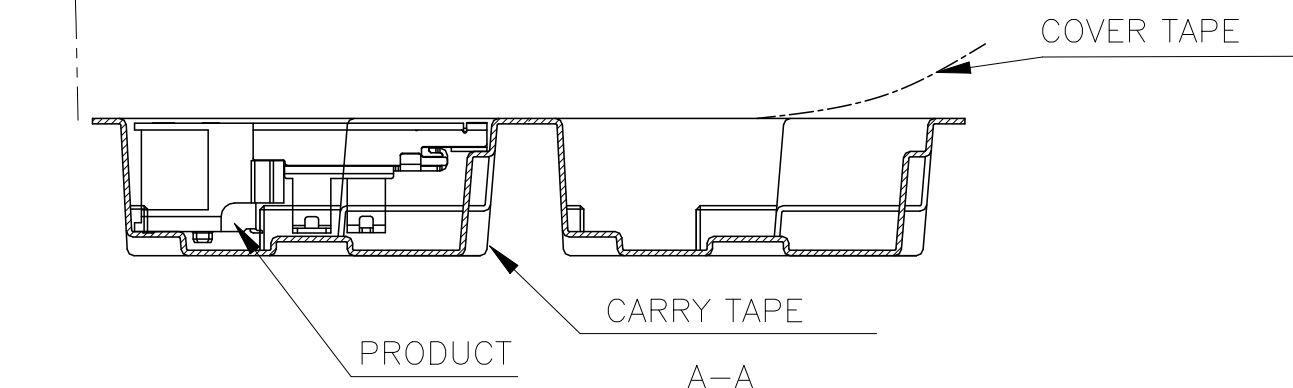
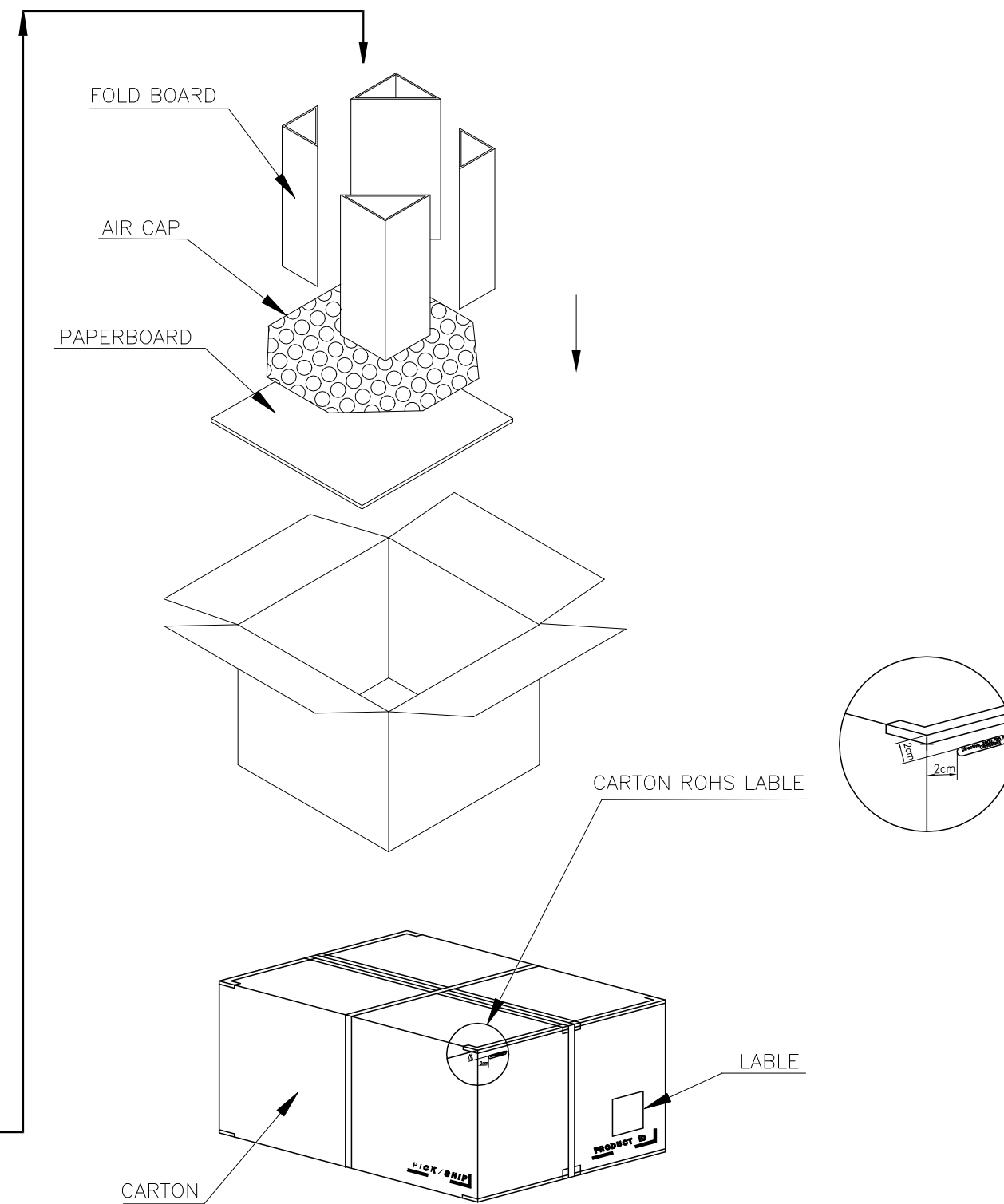
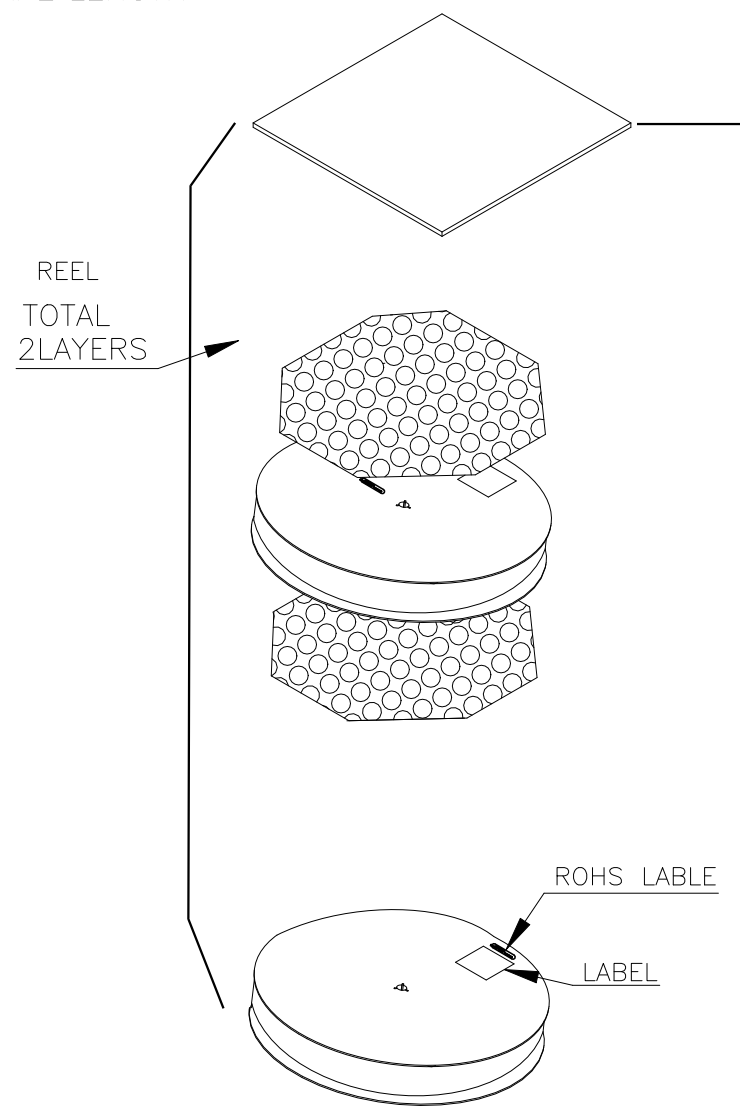
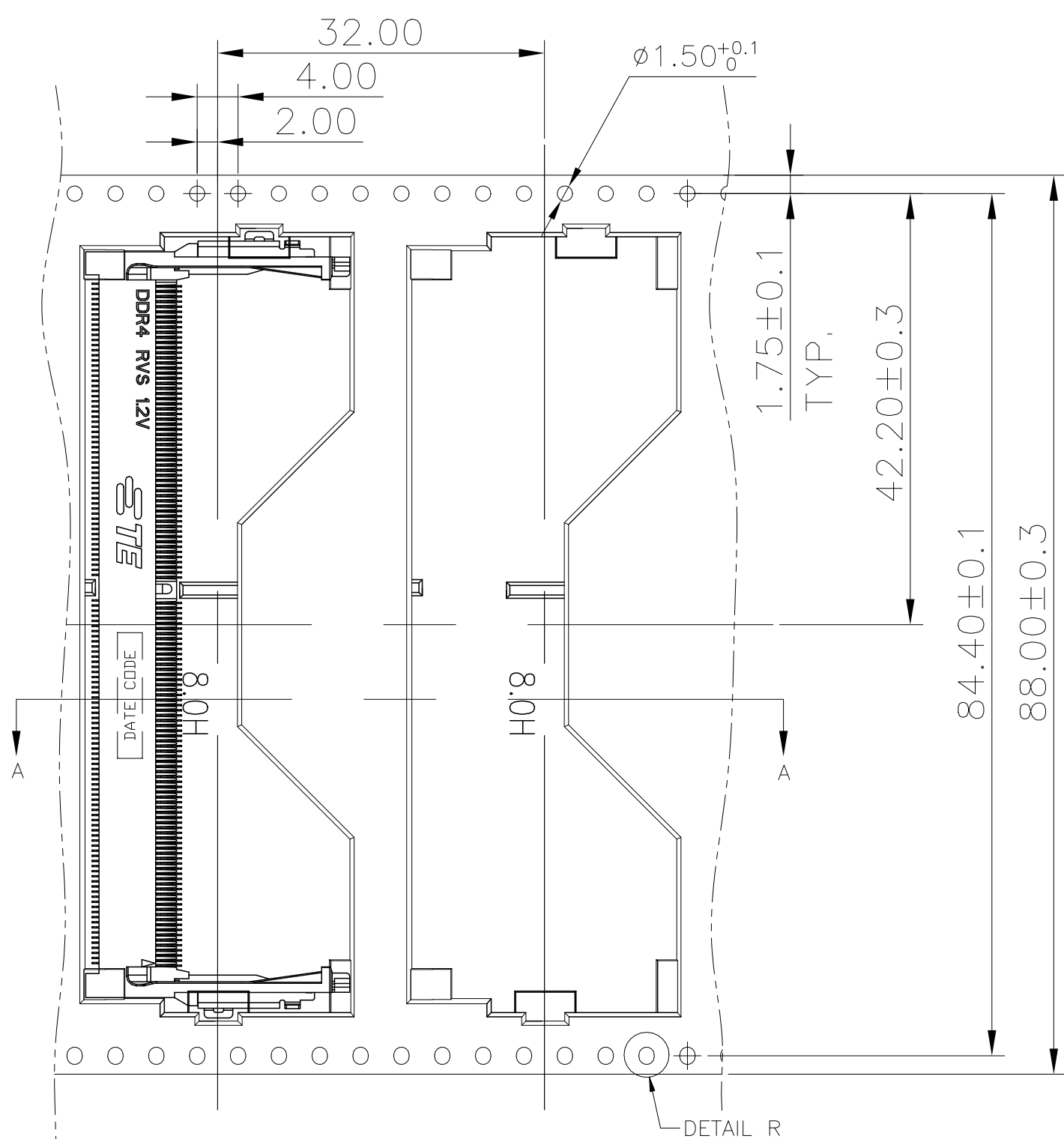
THIS DRAWING IS A CONTROLLED DOCUMENT.		OWN DAVID ZHAO 09SEP2016		
DIMENSIONS: mm		CHK RICHARD MA 09SEP2016		
TOLERANCES UNLESS OTHERWISE SPECIFIED:		APVD SIMON LI 09SEP2016	NAME	
0 PLC ±	1 PLC ±	PRODUCT SPEC	DDR4 SODIMM SOCKET	
2 PLC ±	3 PLC ±	APPLICATION SPEC	0.5mm PITCH 260POS	
4 PLC ±	ANGLES ±	WEIGHT	SIZE A2	CAGE CODE 00779
FINISH	FINISH	CUSTOMER DRAWING	DRAWING NO C=2309412	RESTRICTED TO -
			SCALE 1:1	SHEET 2 OF 3
			REV 4	

THIS DRAWING IS UNPUBLISHED. RELEASED FOR PUBLICATION  
 © COPYRIGHT 2016 By TE connectivity ALL RIGHTS RESERVED.

REVISIONS					
P	LTR	DESCRIPTION	DATE	OWN	APVD
-	-	-	-	-	-



PULL OUT DIRECTION →



250	2	500	*-2309412-*
PCS/REEL	REEL/CARTON	PCS/CARTON	PART NUMBER

THIS DRAWING IS A CONTROLLED DOCUMENT.		DWN DAVID ZHAO 09SEP2016		
DIMENSIONS: mm		CHK RICHARD MA 09SEP2016		
TOLERANCES UNLESS OTHERWISE SPECIFIED:		APVD SIMON LI 09SEP2016	NAME	
0 PLC ±	1 PLC ±	PRODUCT SPEC	DDR4 SODIMM SOCKET	
2 PLC ±	3 PLC ±	APPLICATION SPEC	0.5mm PITCH 260POS	
4 PLC ±	ANGLES ±	WEIGHT	SIZE A2	CAGE CODE 00779
MATERIAL	FINISH	CUSTOMER DRAWING	DRAWING NO C=2309412	RESTRICTED TO -
			SCALE 1:1	SHEET 3 of 3
			REV 4	

单击下面可查看定价，库存，交付和生命周期等信息

[>>TE Connectivity\(泰科\)](#)