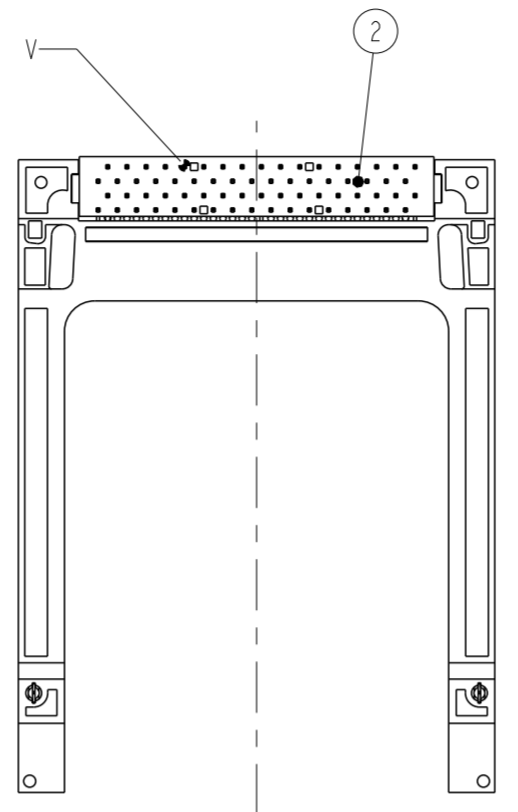
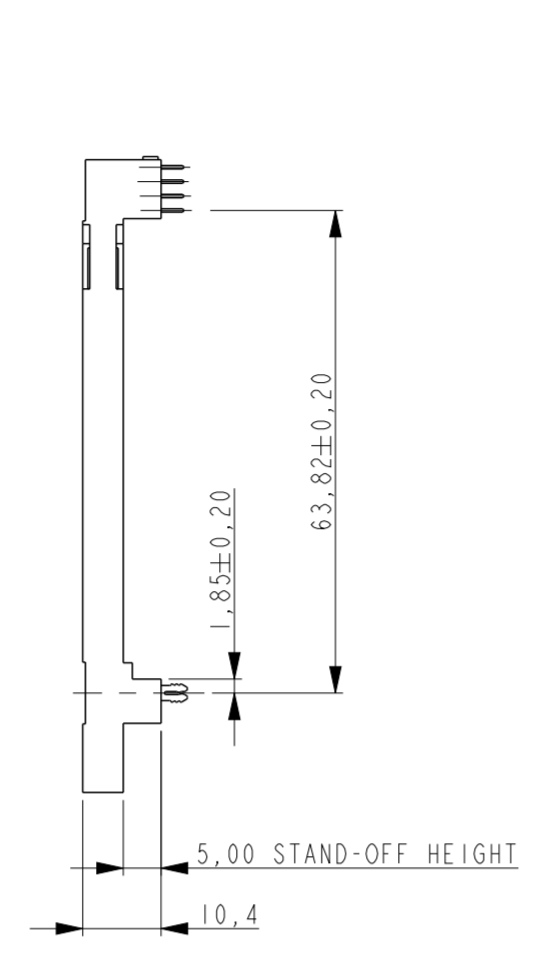
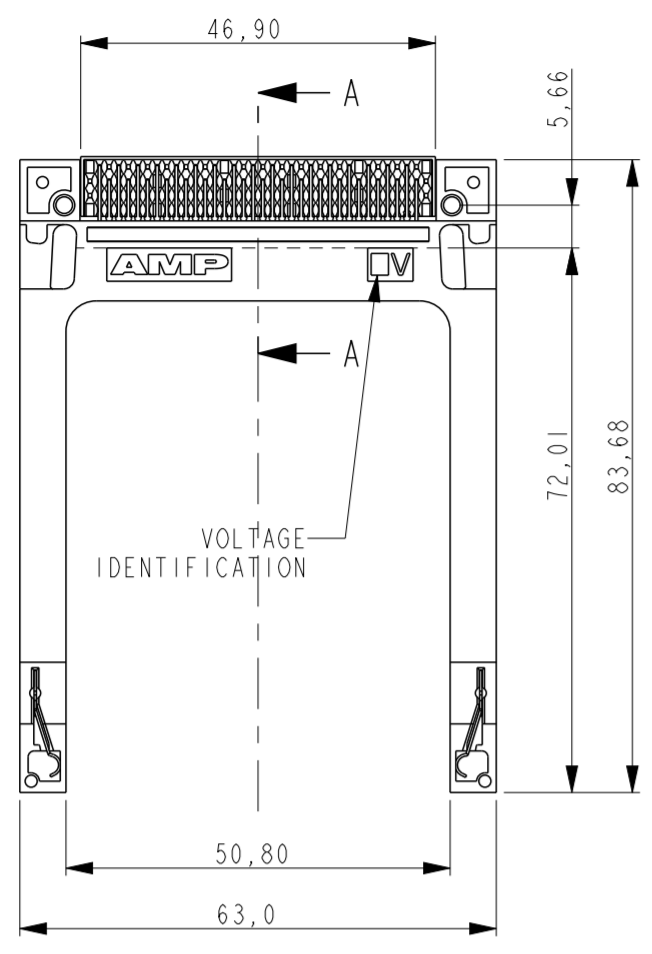


THIS DRAWING IS UNPUBLISHED. RELEASED FOR PUBLICATION  
 © COPYRIGHT - ALL RIGHTS RESERVED.

LOC		DIST		REVISIONS			
P	LTR	DESCRIPTION	DATE	DWN	APVD		
	CI	ECR-12-015503	31AUG2012	GG	RRP		



NOTES/SPECIFICATION:

- HEADER ACCEPTS TYPES I, II, & III OF PCMCIA STANDARD MEMORY CARD
- MECHANICAL SPECIFICATION:
  - DURABILITY
    - OFFICE ENVIRONMENT: 10000 CYCLES MINIMUM
    - HARSH ENVIRONMENT: 5000 CYCLES
  - CONTACT RETENTION FORCE: 1Kg MINIMUM
- ELECTRICAL SPECIFICATION:
  - CONTACT RESISTANCE: 40 MILLI OHMS MAX.
  - DIELECTRIC WITHSTANDING VOLTAGE: 500 Vrms FOR 1min.
  - INSULATION RESISTANCE: 1000 MEGA OHMS MIN.
  - CURRENT CAPACITY: 0,5 AMPS PER PIN.
- ENVIRONMENTAL SPECIFICATIONS:
  - STORAGE ENVIRONMENT: -40°C TO +70°C, 95% MAX. RELATIVE HUMIDITY (NON CONDENSING)
  - OPERATION TEMPERATURE: -20°C TO +60°C, 95% MAX. RELATIVE HUMIDITY (NON CONDENSING)
  - THERMAL SHOCK: 6 CYCLES (1 CYCLE PER HOUR) WITH CONNECTOR ENGAGED WITH EXTREMES OF -55°C TO +70°C.

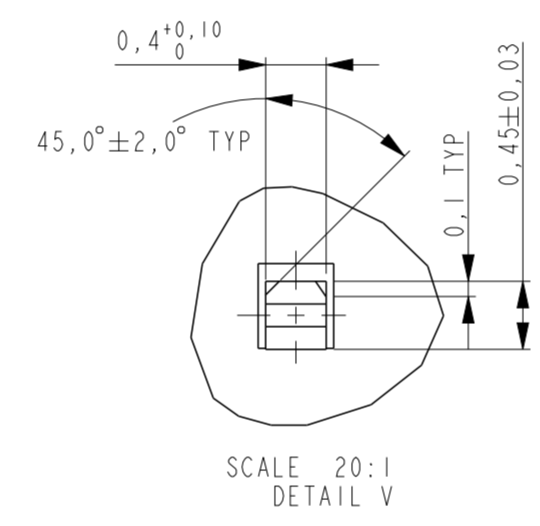
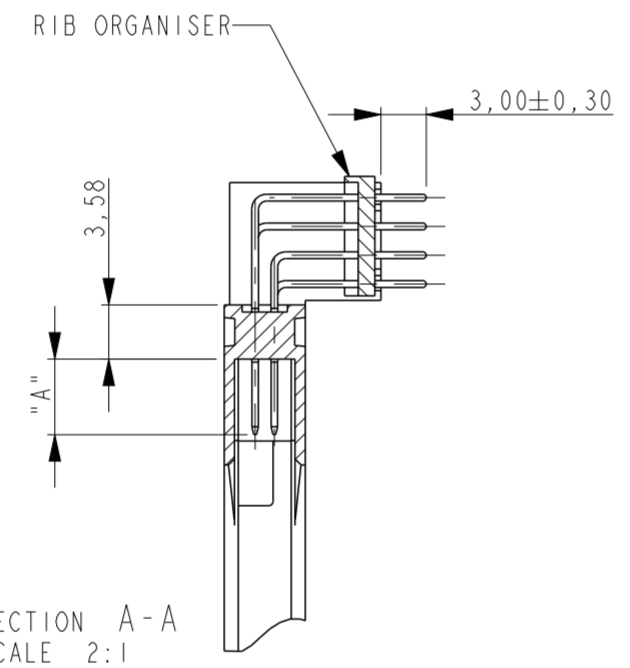
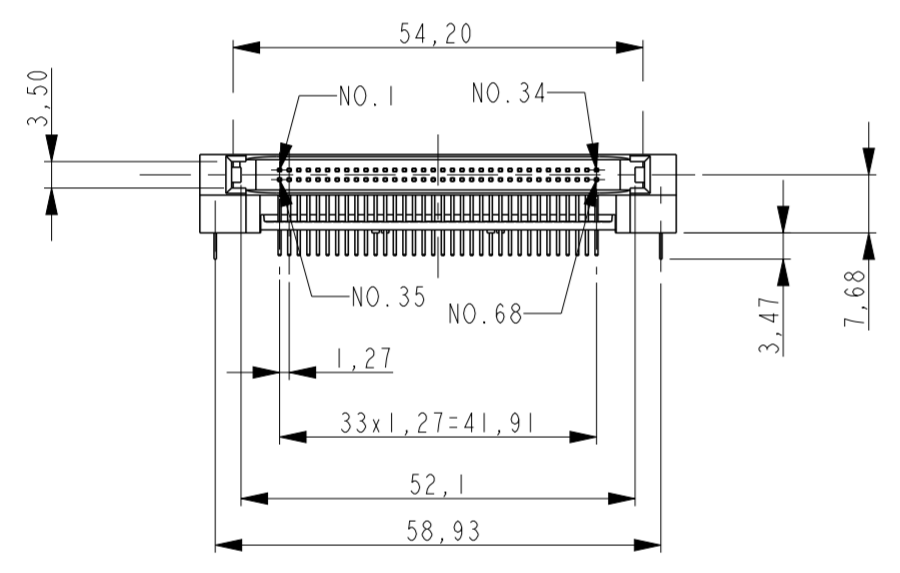
5 LENGTH OF CONTACTS:

DIM "A"	POSITION No.
5	1, 17, 34, 35, 51, 68
3,5	36, 67
4,25	THE OTHERS

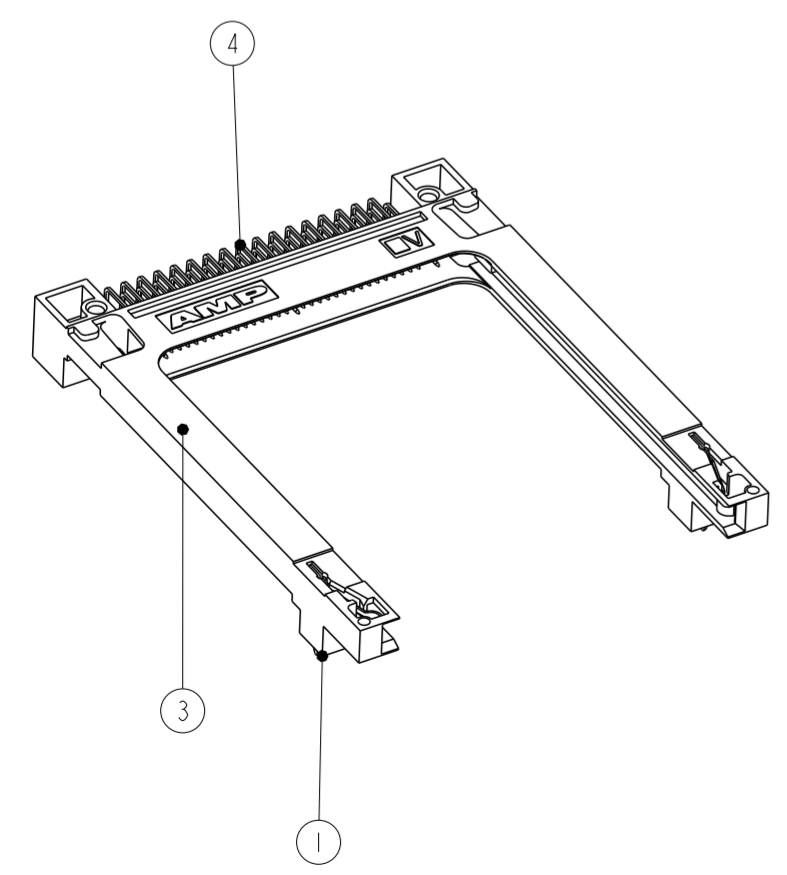
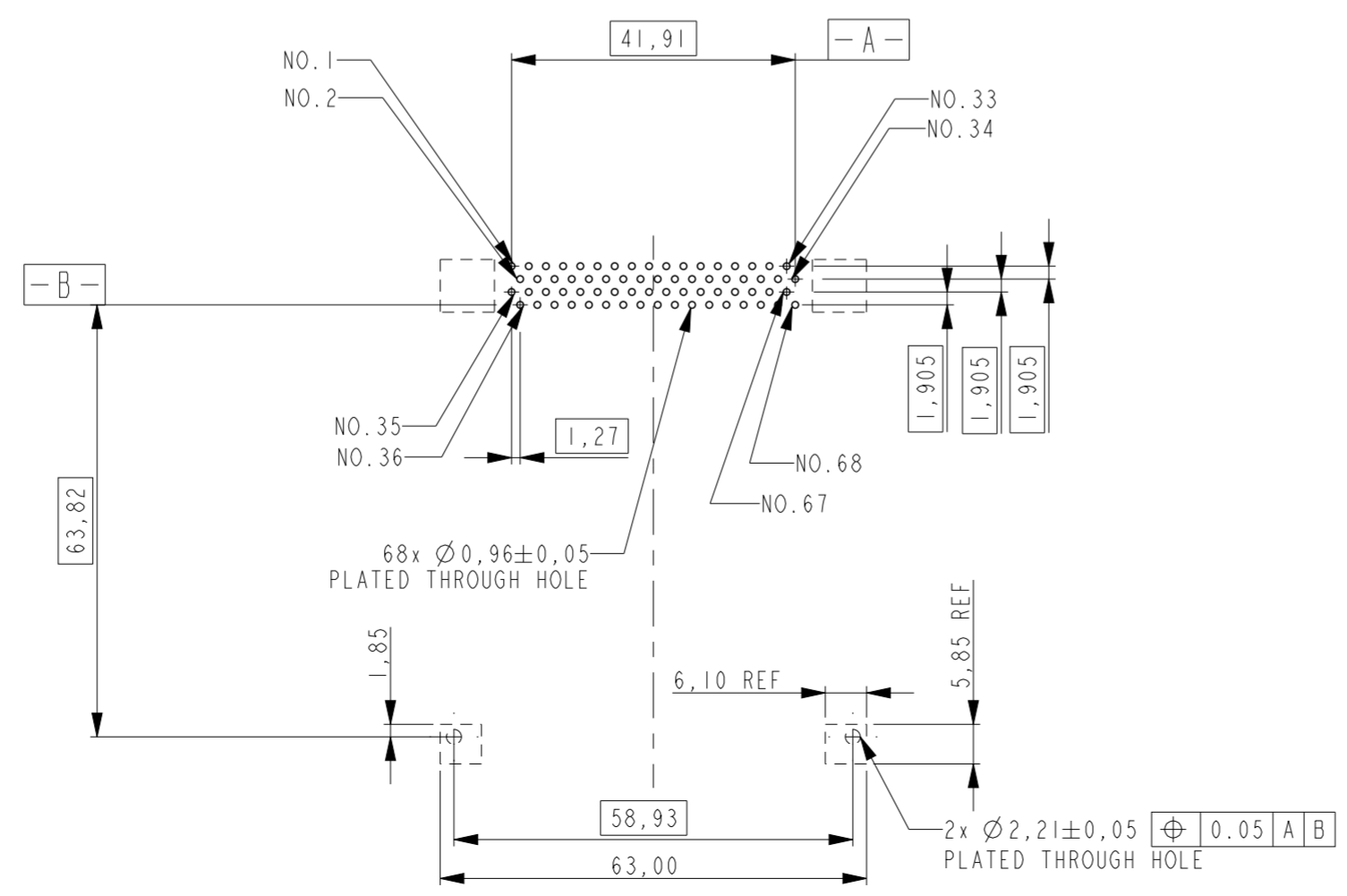
- PLATING OF CONTACT:
  - Ni : 1,5µm MIN. (OVERALL)
  - Au : 0,03µm MIN. (CARD SIDE)
  - TIN: 2µm MIN. (PCB SIDE)
- ALL PARTS PACKAGED IN TRAYS UNLESS REQUESTED:

CONNECTOR TO PRINTED CIRCUIT BOARD ASSEMBLY:

- PLACE THE CONNECTOR ON THE PRINTED CIRCUIT BOARD. THE SOLDER TAILS, RETENT CLIPS SHOULD BE SEATED IN THE RESPECTIVE HOLES.
- PUSH FIRMLY DOWN ON CENTER OF THE HOUSING THEN SOLDER RETENTS. A SLIGHT SNAP IS FELT WHEN THE CONTACT IS FULLY SEATED.
- SOLDER PROCESS ENTIRE PRINTED CIRCUIT BOARD ASSEMBLY.



RECOMMENDED PCB LAYOUT  
 (THICKNESS: 1,60mm ±0,1mm)



1955547-2	3.3V
1955547-1	5V
TE PN.	VOLTAGE IDENTIFICATION

ITEM NO	QTY	DESCRIPTION	MATERIAL	FINISH
4	68	CONTACT	COPPER ALLOY	⚠
3	1	HOUSING	THERMO PLASTIC UL 94 VO	COLOR: BLACK
2	1	ORGANISER	THERMO PLASTIC UL 94 VO	COLOR: BLACK
1	2	GROUND CONTACT	PHOSPHOR BRONZE	TIN: 2µm MIN

THIS DRAWING IS A CONTROLLED DOCUMENT.

DWN: GUNA 24-MAY-2010  
 CHK: PREMJI 24-MAY-2010  
 APVD: PREMJI 24-MAY-2010

STE TE Connectivity

NAME: PC CARD HEADER HIGH RAISED 5mm WITHOUT BOARD LOCK

SIZE: A2 CAGE CODE: 00779 DRAWING NO: C-1955547 RESTRICTED TO: -

MATERIAL: SEE TABLE FINISH: ⚠ WEIGHT: - CUSTOMER DRAWING SCALE: - SHEET: 1 OF 1 REV: CI

单击下面可查看定价，库存，交付和生命周期等信息

[>>TE Connectivity\(泰科\)](#)