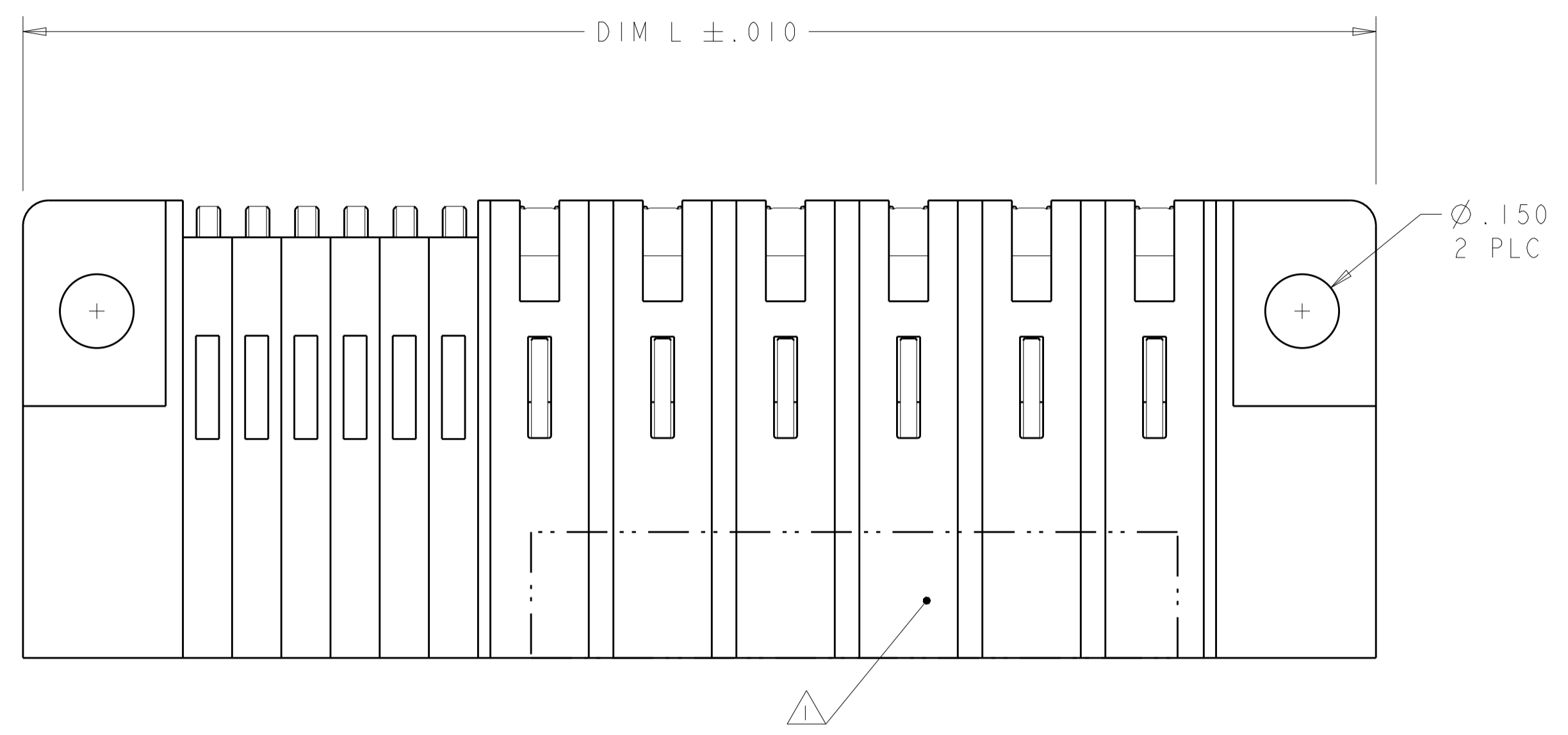
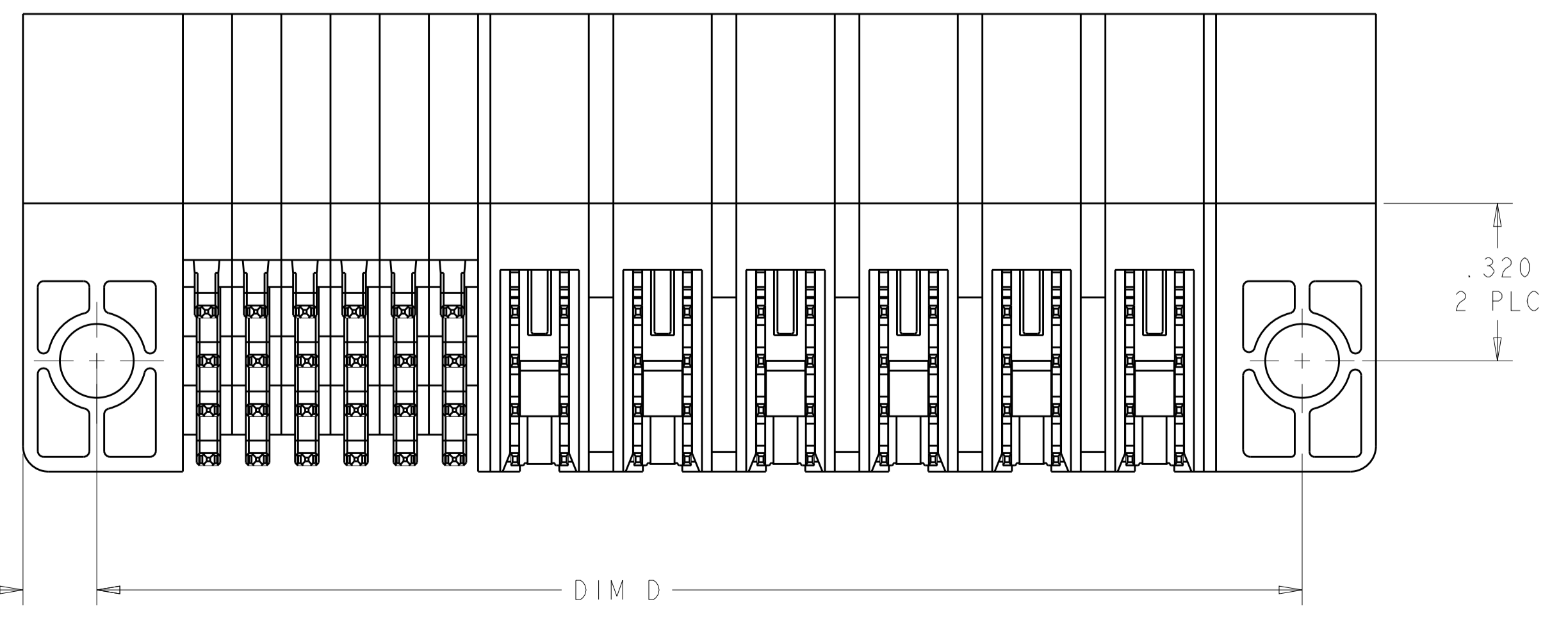
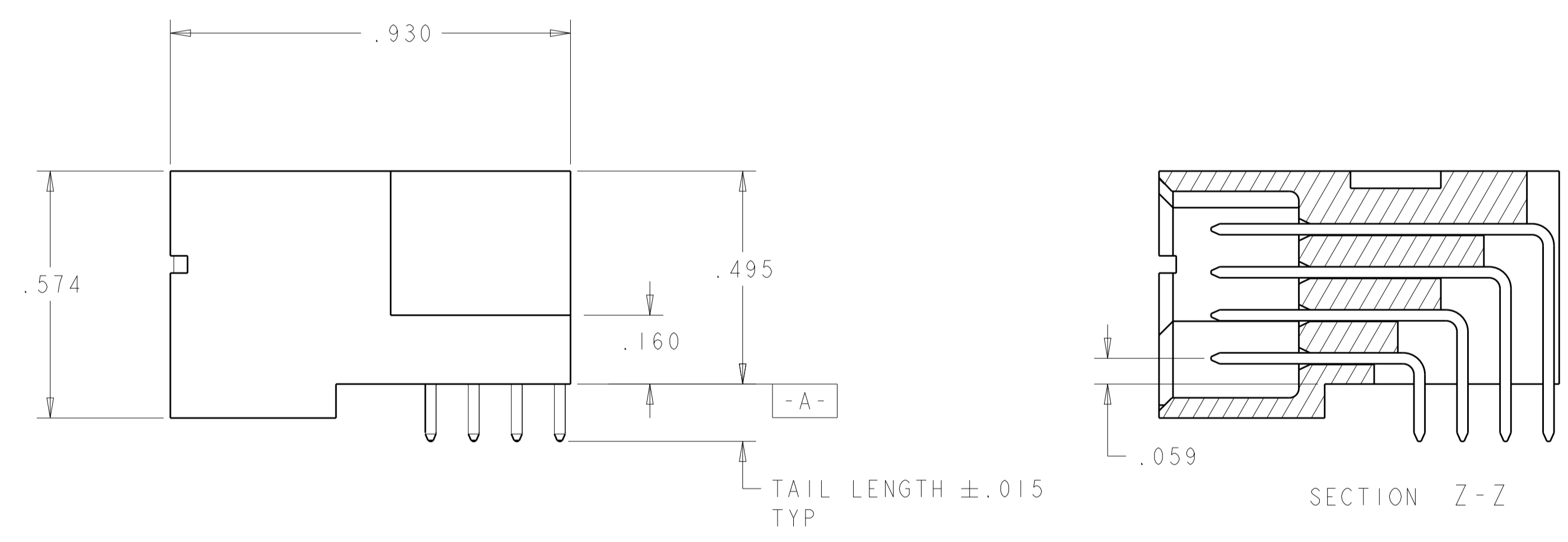
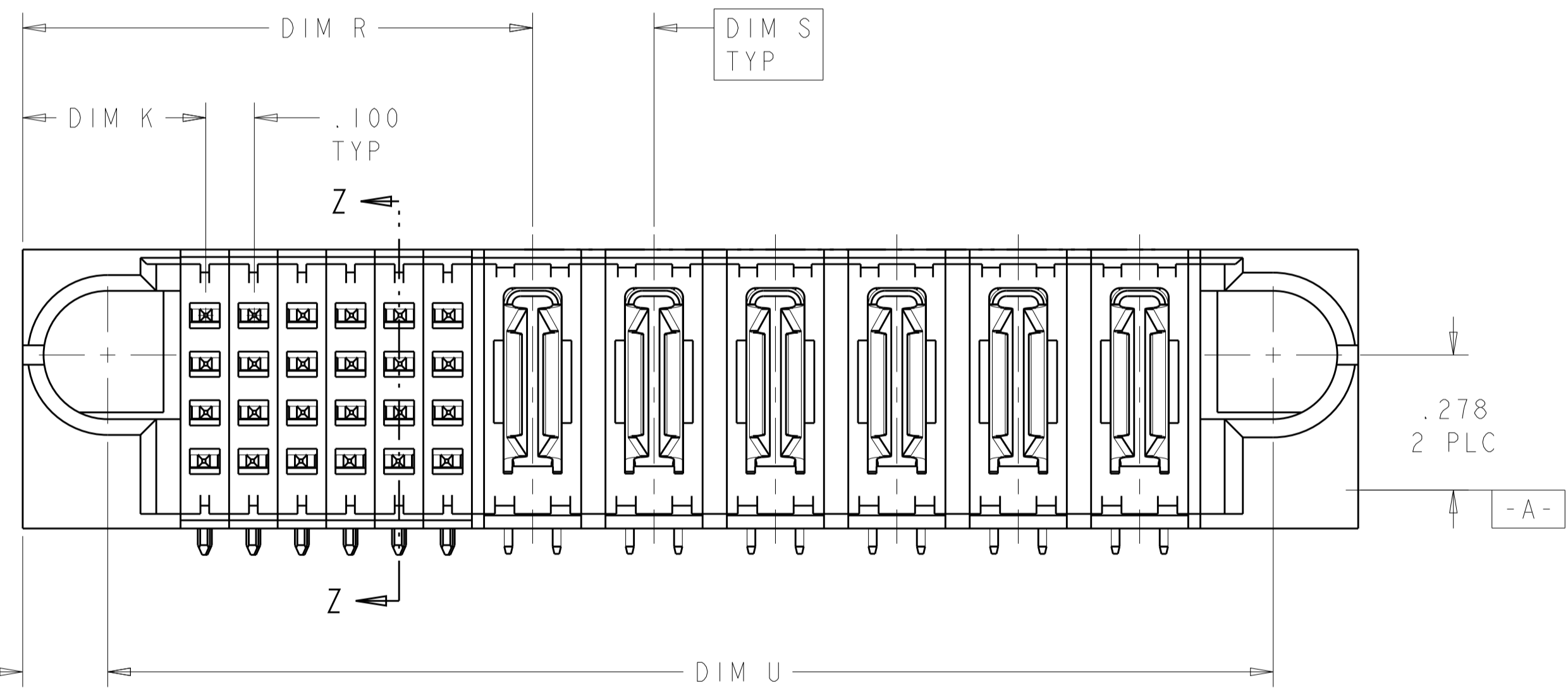


LOC		DIST		REVISONS			
ES		00		REV	DATE	BY	CHKD
E1				REV PER ECR-12-012550	12JUL2012	AY	SZ



- 1 "AMP" PART NUMBER AND DATE CODE TO BE MARKED IN AREA SHOWN.
- 2 MATERIAL:  
HOUSING - GLASS FILLED HIGH TEMP THERMO PLASTIC, UL94 V-0  
SIGNAL CONTACT - COPPER ALLOY  
POWER CONTACT - HIGH CONDUCTIVITY COPPER ALLOY
- 3 CONTACT PLATING:  
SIGNAL CONTACT - .000050 MIN Ni UNDER ALL .000030 MIN. Au ON CONTACT AREA, .000100 MIN Sn AT PCB INTERFACE  
POWER CONTACT - .000050 MIN Ni UNDER ALL, .000030 MIN Au AT CONTACT AREA, .000100 MIN Sn AT PCB INTERFACE
- 4 MECHANICAL CONNECTOR KEEP OUT ZONE.
- 5 DATUM AND BASIC DIMENSIONS ESTABLISHED BY CUSTOMERS.
- 6 PCB - ALL HOLE DIAMETERS ARE FINISHED HOLE SIZES.
- 7 PCB - .045±.0010 DRILLED HOLES PLATED WITH .0003 MIN Sn OVER .001 TO .003 CU PLATING TO ACHIEVE A .040±.003 DIA. HOLE
- 8 NOT RELEASED FOR PRODUCTION.
- 9 VARIABLE DIMENSION SHOW ON VIEW (SHEET 3).



DIM U	DIM S	DIM R	DIM D	DIM K	DIM L	DESCRIPTION	PART NUMBER
3.400	.250	1.050	3.450	.375	3.750	24S + 10P	1-6600122-1
3.325	.200	1.050	3.375	.375	3.675	24S + 12HDP	1-6600122-0
2.600	9	1.075	2.650	.400	2.950	24S + 8P	6600122-9
2.400	.250	1.050	2.450	.375	2.750	24S + 6P	6600122-8
3.325	.200	1.050	3.375	.375	3.675	24S + 12HDP	6600122-7
2.150	.200	1.050	2.200	.375	2.500	24S + 6P	6600122-6
2.400	.250	1.050	2.450	.375	2.750	24S + 6P	6600122-5
2.400	.250	1.050	2.450	.375	2.750	24S + 6P	6600122-1

THIS DRAWING IS A CONTROLLED DOCUMENT.

DIMENSIONS: INCHES

TOLERANCES UNLESS OTHERWISE SPECIFIED:

0 PLC	±
1 PLC	±.01
2 PLC	±.01
3 PLC	±.005
4 PLC	±.0020
ANGLES	±.020

MATERIAL: 2

FINISH: 3

Customer Drawing

SCALE: 4:1

SHEET 1 OF 5

REV E1

STE TE Connectivity

RIGHT ANGLE SOLDER HEADER ASSY, DUAL BEAM POWER CONTACT MULTI-BEAM XL

SIZE: A1

CAGE CODE: 114-13038

DRAWING NO: 108-1973

PRODUCT SPEC: 108-1973

APPLICATION SPEC: 114-13038

WEIGHT: -

DATE: 12JUL2012

BY: AY

CHKD: M.PERCHEK

APVD: -

NAME: -

DESIGNER: R.GRZYBOWSKI

DATE: 12JUL2012

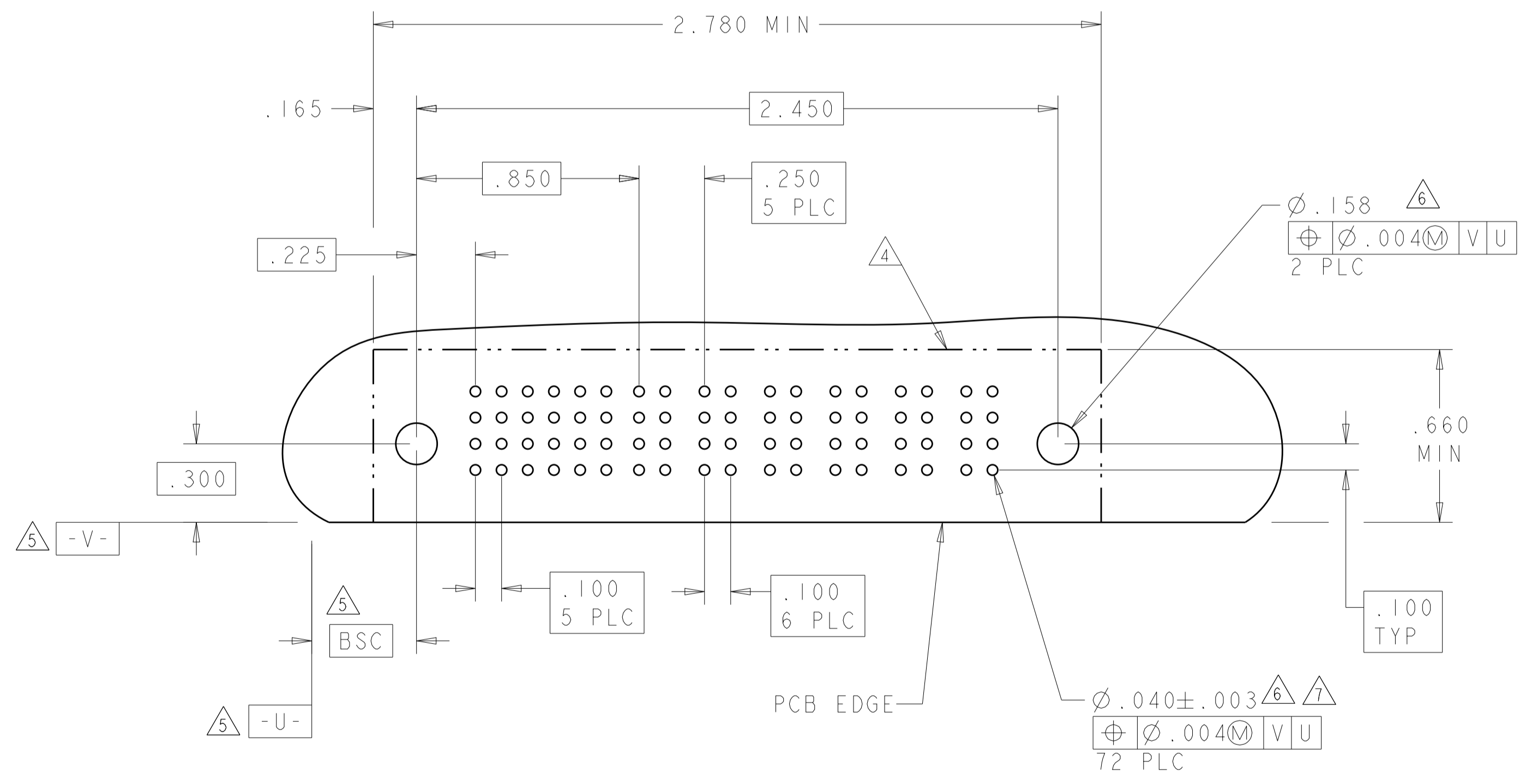
REV: 00

LOC	DIST	REVISIONS			
ES	00	REV	DATE	BY	APPV
		1	SEE SHEET 1		

PART NUMBER	ROWS	SIGNAL						POWER					
		1	2	3	4	5	6	P1	P2	P3	P4	P5	P6
6600122-1	D C B A	J	J	J	J	J	J	PS	PS	PS	PS	PS	PS
		K	K	K	K	K	K						
		N	N	N	N	N	N						
		H	S	S	S	S	S						
24S + 6P													

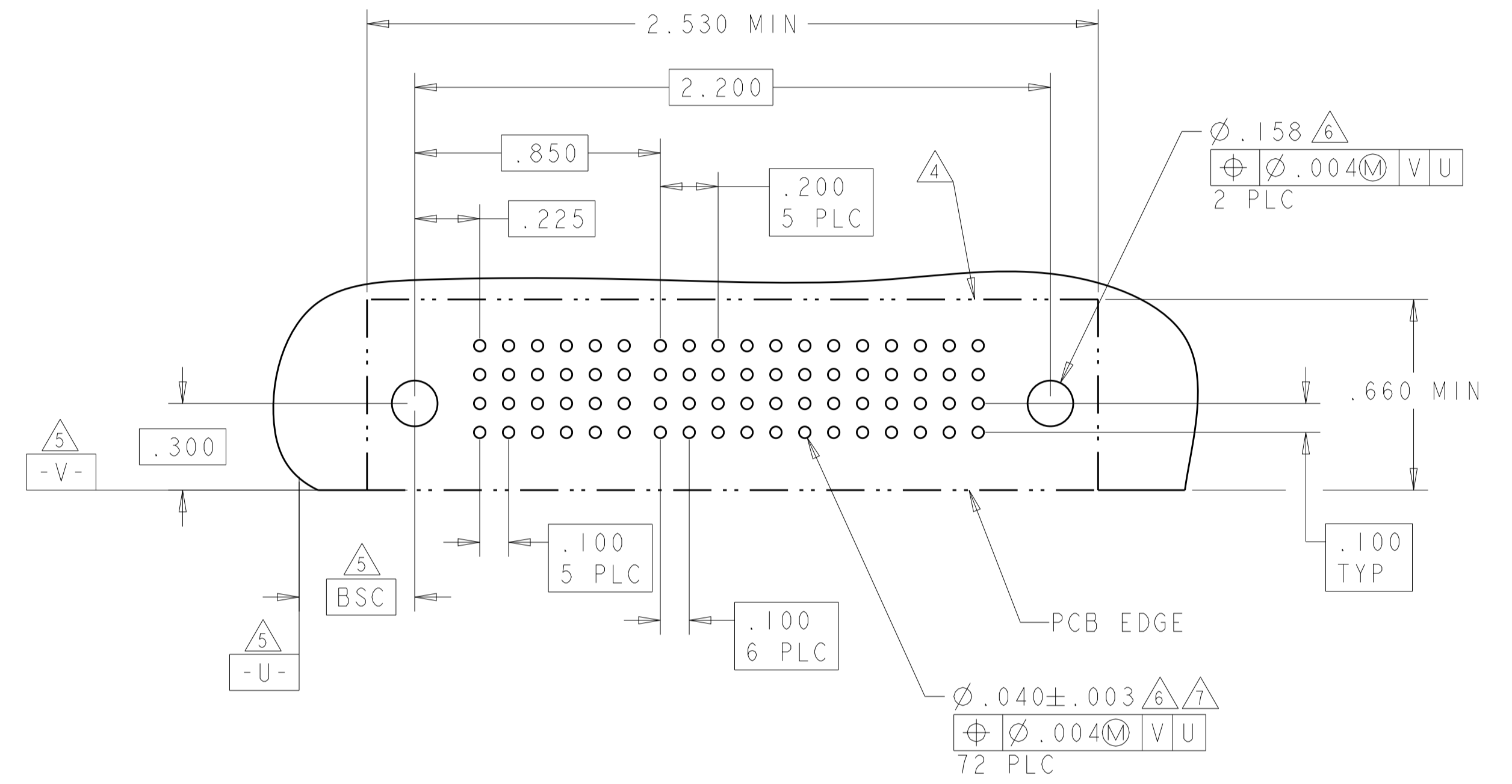
PART NUMBER	ROWS	SIGNAL						POWER					
		1	2	3	4	5	6	P1	P2	P3	P4	P5	P6
6600122-5	D C B A	J	J	J	J	J	J	PS	PS	PS	PS	PS	PS
		K	K	K	K	K	K						
		N	N	N	N	N	N						
		S	S	S	S	S	S						
24S + 6P													

PART NUMBER	ROWS	SIGNAL						POWER					
		1	2	3	4	5	6	P1	P2	P3	P4	P5	P6
6600122-8	D C B A	J	J	J	J	E	J	PS	PS	PS	PS	PS	PS
		K	K	K	K	F	K						
		N	N	N	N	G	N						
		H	S	S	S	S	S						
24S + 6P													



BOTH 6600122-1 & 6600122-5 & 6600122-8 HAVE THE SAME PCB LAYOUT

PART NUMBER	ROWS	SIGNAL						POWER					
		1	2	3	4	5	6	P1	P2	P3	P4	P5	P6
6600122-6	D C B A	J	J	J	J	J	J	PS	PS	PS	PS	PS	PS
		K	K	K	K	K	K						
		N	N	N	N	N	N						
		S	S	S	S	S	S						
24S + 6P													



CODE	TAIL LENGTH	POWER CONTACT
PS	.135	

CODE	MATING SEQUENCE	TAIL LENGTH	ROW
E	MLBF	.135	D
F	MLBF	.135	C
G	MLBF	.135	B
H	MLBF	.135	A
J	STD	.135	D
K	STD	.135	C
N	STD	.135	B
S	STD	.135	A

THIS DRAWING IS A CONTROLLED DOCUMENT. DIMENSIONS: INCHES. TOLERANCES UNLESS OTHERWISE SPECIFIED: 0 PLC ±.01, 1 PLC ±.01, 2 PLC ±.01, 3 PLC ±.005, 4 PLC ±.002, ANGLES ±.020. MATERIAL: FINISH: .

OWN: R. GRZYBOWSKI - DIMAROS, CHK: M. PERCHERKE - DIMAROS, APVD: .

PRODUCT SPEC: 108-1973, APPLICATION SPEC: 114-13038, WEIGHT: .

Customer Drawing

SCALE: 4:1, SHEET: 2 OF 5, REV: E1

**STE** TE Connectivity

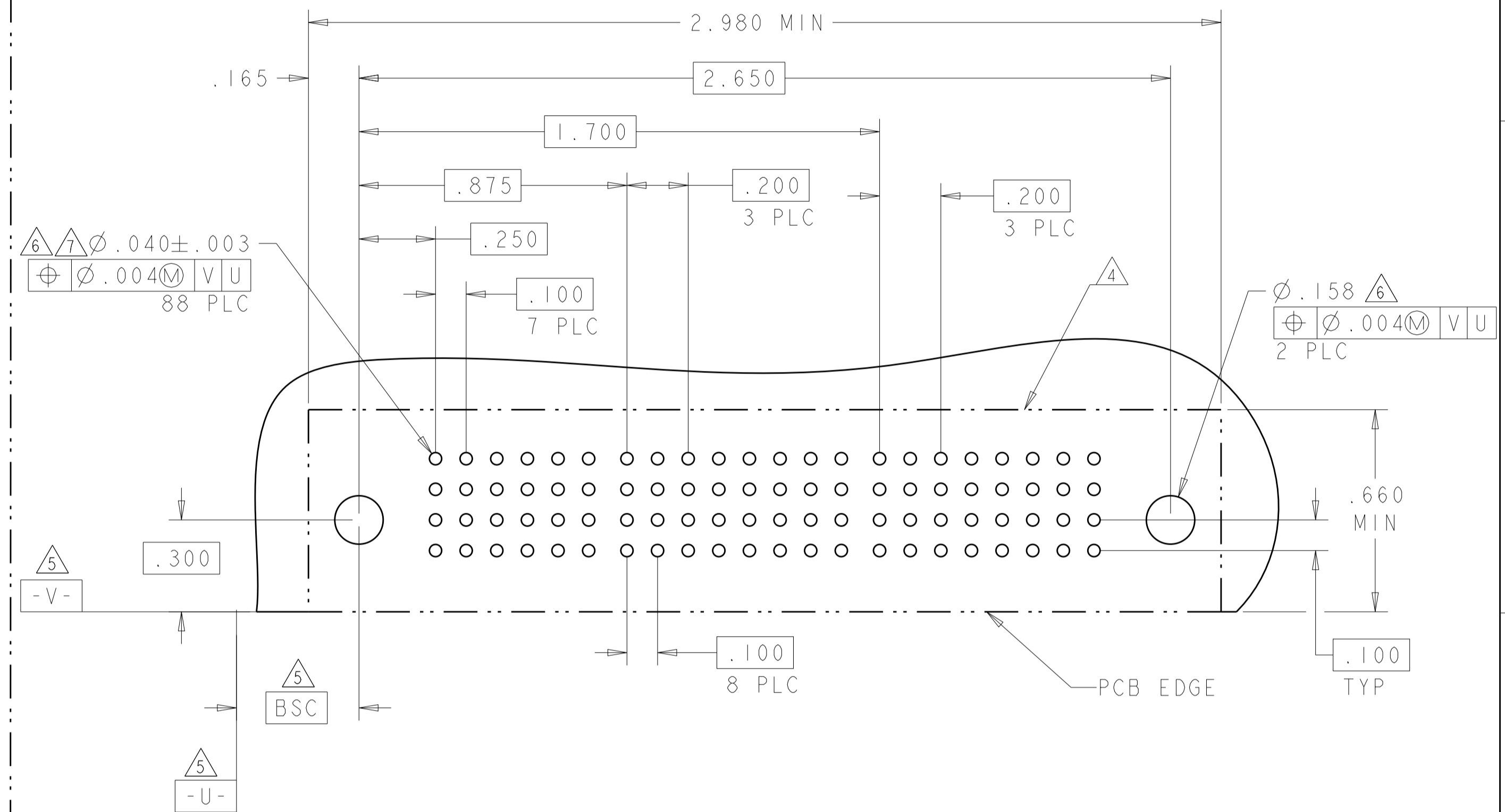
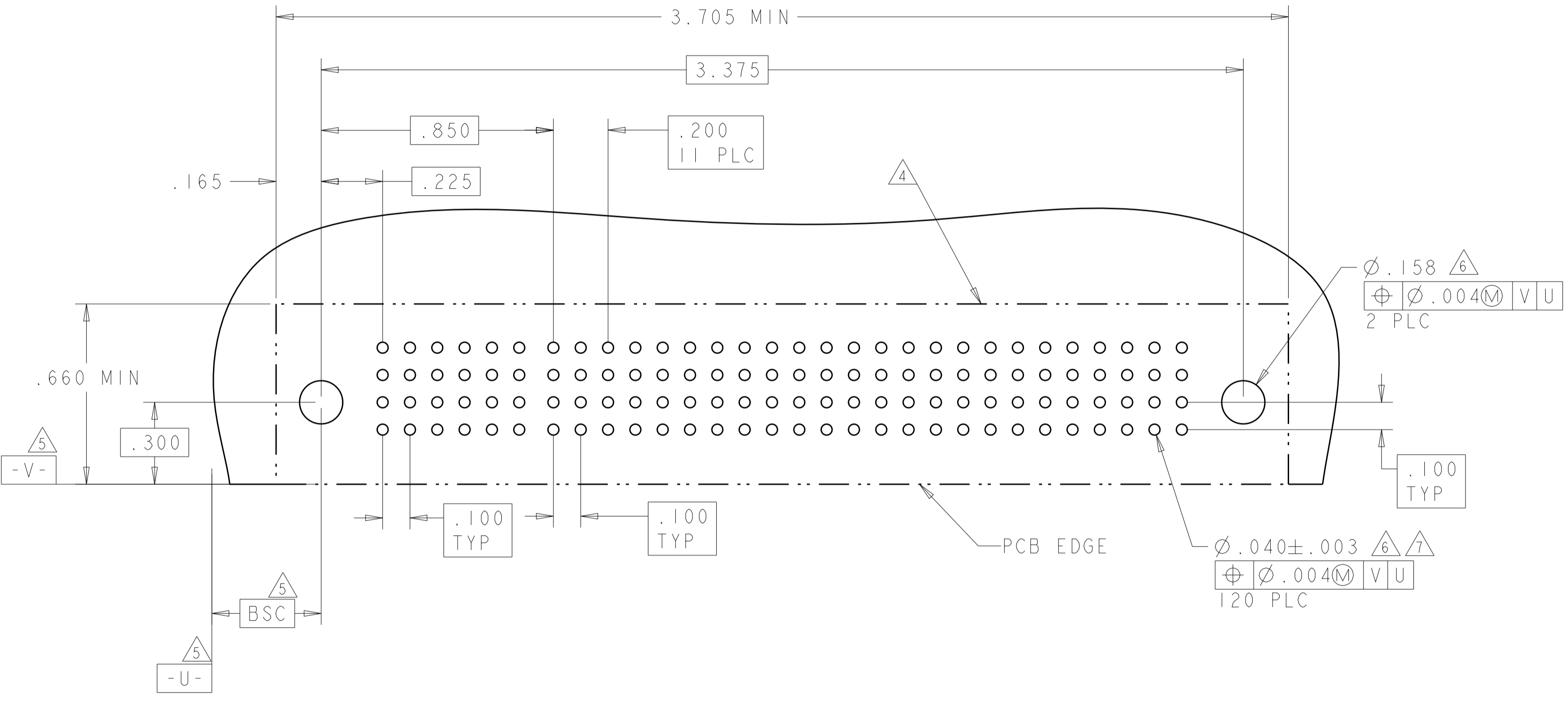
RIGHT ANGLE SOLDER HEADER ASSY, DUAL BEAM POWER CONTACT MULTI-BEAM XL

SIZE: A1, CAGE CODE: 100779, DRAWING NO: 6600122

LOC	DIST	REVISIONS			
P	LTN	DESCRIPTION	DATE	DMN	APVD
ES	00	SEE SHEET 1			

PART NUMBER	ROWS	SIGNAL						POWER													
		1	2	3	4	5	6	P1	P2	P3	P4	P5	P6	P7	P8	P9	P10	P11	P12		
6600122-7	D C B A	J	J	J	J	J	J	PS	PS	PS	PS	PS	PS	PS	PS	PS	PS	PS	PS	PS	
		K	K	K	K	K	K														
		N	N	N	N	N	N														
		S	S	S	S	S	S														
24S + 12HDP																					

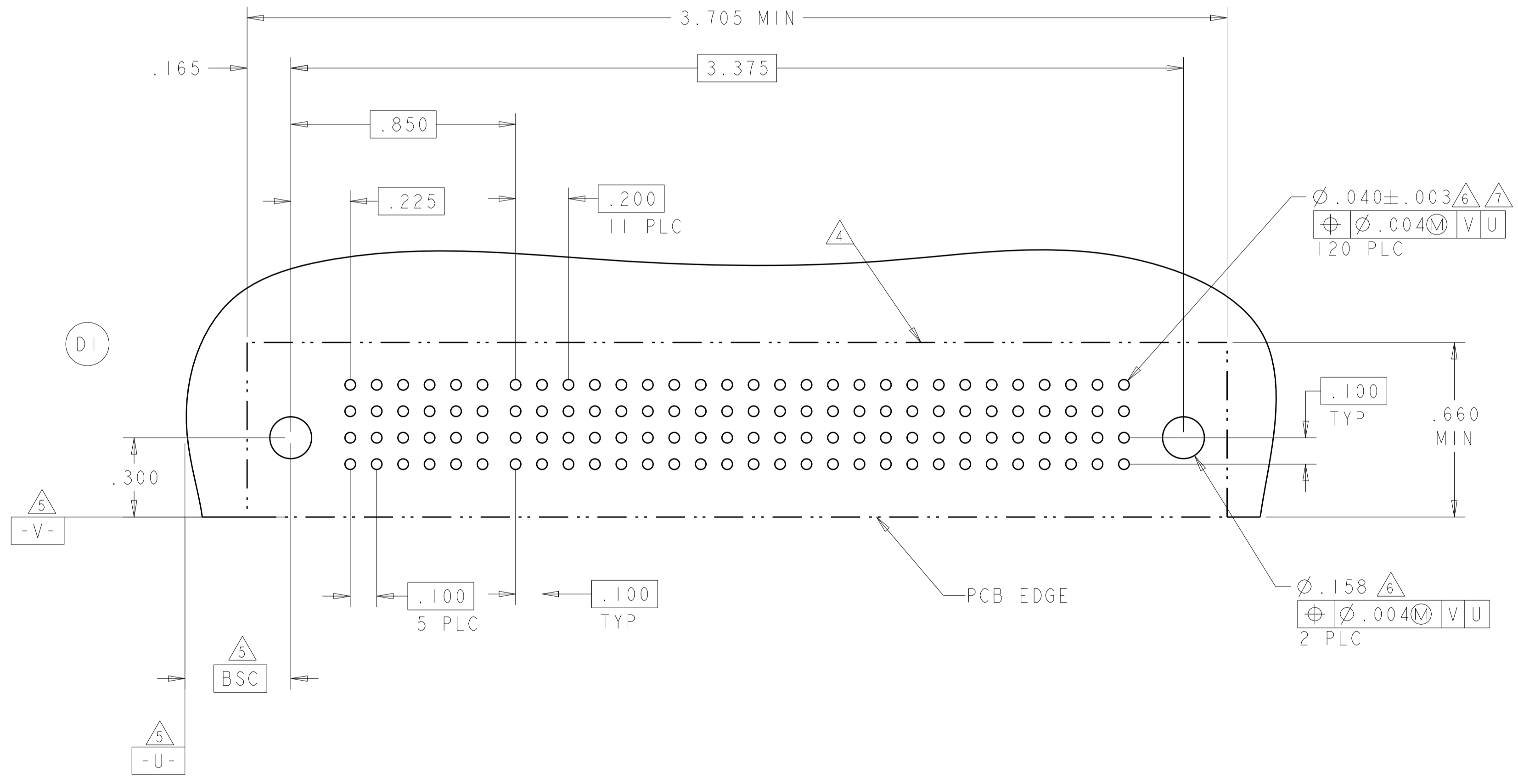
ASSY PART NUMBER	ROWS	SIGNAL						POWER							
		1	2	3	4	5	6	P1	P2	P3	P4	P5	P6	P7	P8
6600122-9	D C B A	J	J	J	J	J	J	PS	PS	PS	PS	PS	PS	PS	PS
		K	K	K	K	K	K								
		N	N	N	N	N	N								
		S	S	S	S	S	S								
24S + 8P															



THIS DRAWING IS A CONTROLLED DOCUMENT.		DMN: R. GRZYBOWSKI	DMAROS	<b>STE</b> TE Connectivity
DIMENSIONS: INCHES		CHK: M. PERCHERKE	DMAROS	
TOLERANCES UNLESS OTHERWISE SPECIFIED:		APVD: -		NAME: RIGHT ANGLE SOLDER HEADER ASSY, DUAL BEAM POWER CONTACT MULTI-BEAM XL
0 PLC ±.01		PRODUCT SPEC: 108-1973		
1 PLC ±.01		APPLICATION SPEC: 114-13038		SIZE: A1
2 PLC ±.01		WEIGHT: -		
3 PLC ±.005		CAGE CODE: -		DRAWING NO: 6600122
4 PLC ±.0020		SCALE: 4:1		
ANGLES: ±.7°		SHEET: 3 OF 5		REV: E1
FINISH: -		Customer Drawing		

LOC	DIST	REVISIONS					
		P	LTN	DESCRIPTION	DATE	DWN	APVD
ES	00	-	-	SEE SHEET 1	-	-	-

PART NUMBER	ROWS	SIGNAL						POWER													
		1	2	3	4	5	6	PI1	P2	P3	P4	P5	P6	P7	P8	P9	PI0	PI1	PI2		
1-6600122-0	D C B A	J	J	J	J	J	E	PS	PS	PS	PS	PS	PS	PS	PS	PS	PS	PS	PS	PS	
		K	K	K	F	K	K														
		N	N	N	G	N	N														
		S	H	S	H	S															
24S + 12HDP																					



THIS DRAWING IS A CONTROLLED DOCUMENT. DWN: R. GRZYBOWSKI, DIMAROS; CHK: M. PERCHERKE, DIMAROS; APVD: M. PERCHERKE, DIMAROS.

DIMENSIONS: INCHES. TOLERANCES UNLESS OTHERWISE SPECIFIED: 0 PLC ±.01, 1 PLC ±.01, 2 PLC ±.01, 3 PLC ±.005, 4 PLC ±.002, ANGLES ±.2°.

PRODUCT SPEC: 108-1973. APPLICATION SPEC: 114-13038. WEIGHT: -. MATERIAL: -. FINISH: -. SCALE: 4:1. SHEET 4 OF 5. REV: E1.

Customer Drawing. SIZE: A1. CAGE CODE: 00779. DRAWING NO: 6600122.

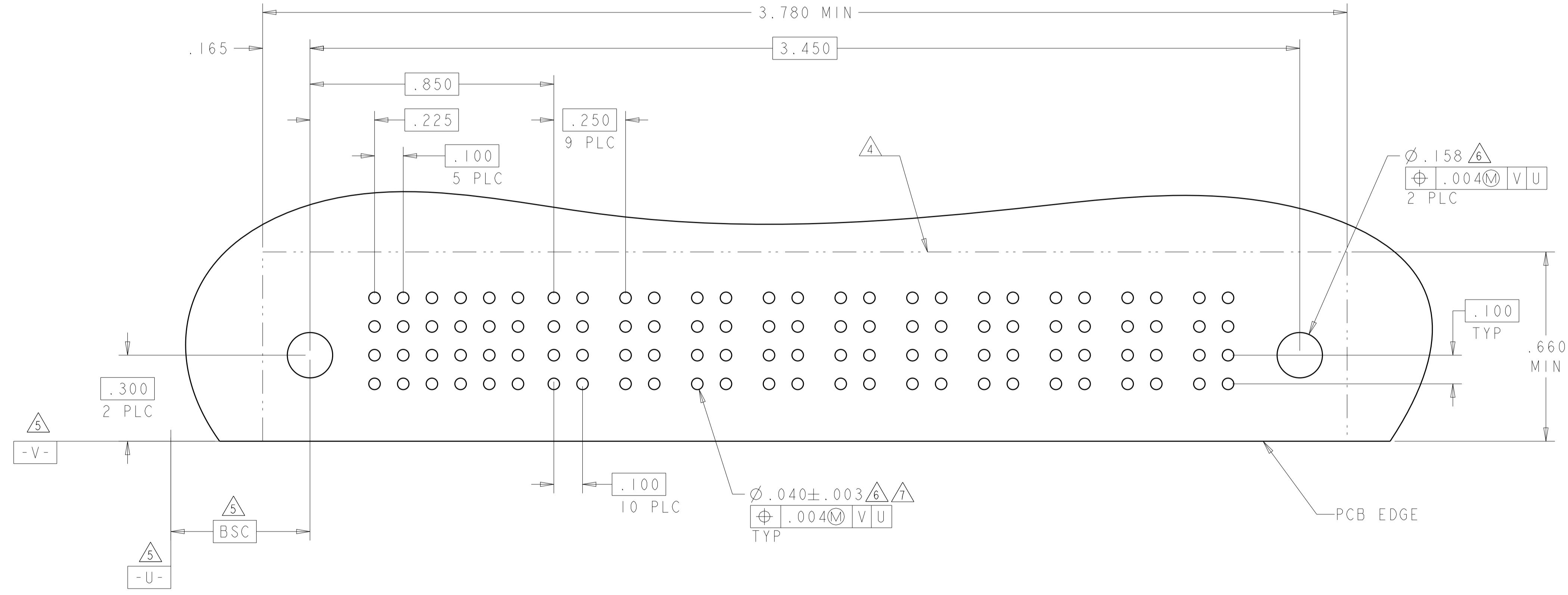
**STE** TE Connectivity. NAME: RIGHT ANGLE SOLDER HEADER ASSY, DUAL BEAM POWER CONTACT MULTI-BEAM XL.



LOC	DIST	REVISIONS					
		P	LTN	DESCRIPTION	DATE	DWN	APVD
ES	00	-	-	SEE SHEET 1	-	-	-

PART NUMBER	ROWS	SIGNAL						POWER										
		1	2	3	4	5	6	PI	P2	P3	P4	P5	P6	P7	P8	P9	PI0	
1-6600122-1	D	J	J	J	J	J	J	PS	PS	PS	PS	PS	PS	PS	PS	PS	PS	PS
	C	K	K	K	K	K	K	PS	PS	PS	PS	PS	PS	PS	PS	PS	PS	PS
	B	N	N	N	N	N	N	PS	PS	PS	PS	PS	PS	PS	PS	PS	PS	PS
	A	S	S	S	S	S	S	PS	PS	PS	PS	PS	PS	PS	PS	PS	PS	PS
24S + 10P																		

(E1)



THIS DRAWING IS A CONTROLLED DOCUMENT.		DWN: R. GRZYBOWSKI CHK: M. PERCHERKE	DTMAROS -IMAROS	 TE Connectivity
DIMENSIONS: INCHES	TOLERANCES UNLESS OTHERWISE SPECIFIED:	APVD:	NAME:	
	0 PLC ± 1 PLC ±.01 2 PLC ±.01 3 PLC ±.005 4 PLC ±.0020 ANGLES ±.2°	PRODUCT SPEC 108-1973	APPLICATION SPEC 114-13038	RIGHT ANGLE SOLDER HEADER ASSY, DUAL BEAM POWER CONTACT MULTI-BEAM XL
MATERIAL:	FINISH:	WEIGHT:	SIZE: CAGE CODE: DRAWING NO: A100779C=6600122	RESTRICTED TO:
Customer Drawing		SCALE: 4:1	SHEET 5 OF 5	REV: E1

单击下面可查看定价，库存，交付和生命周期等信息

[>>TE Connectivity\(泰科\)](#)