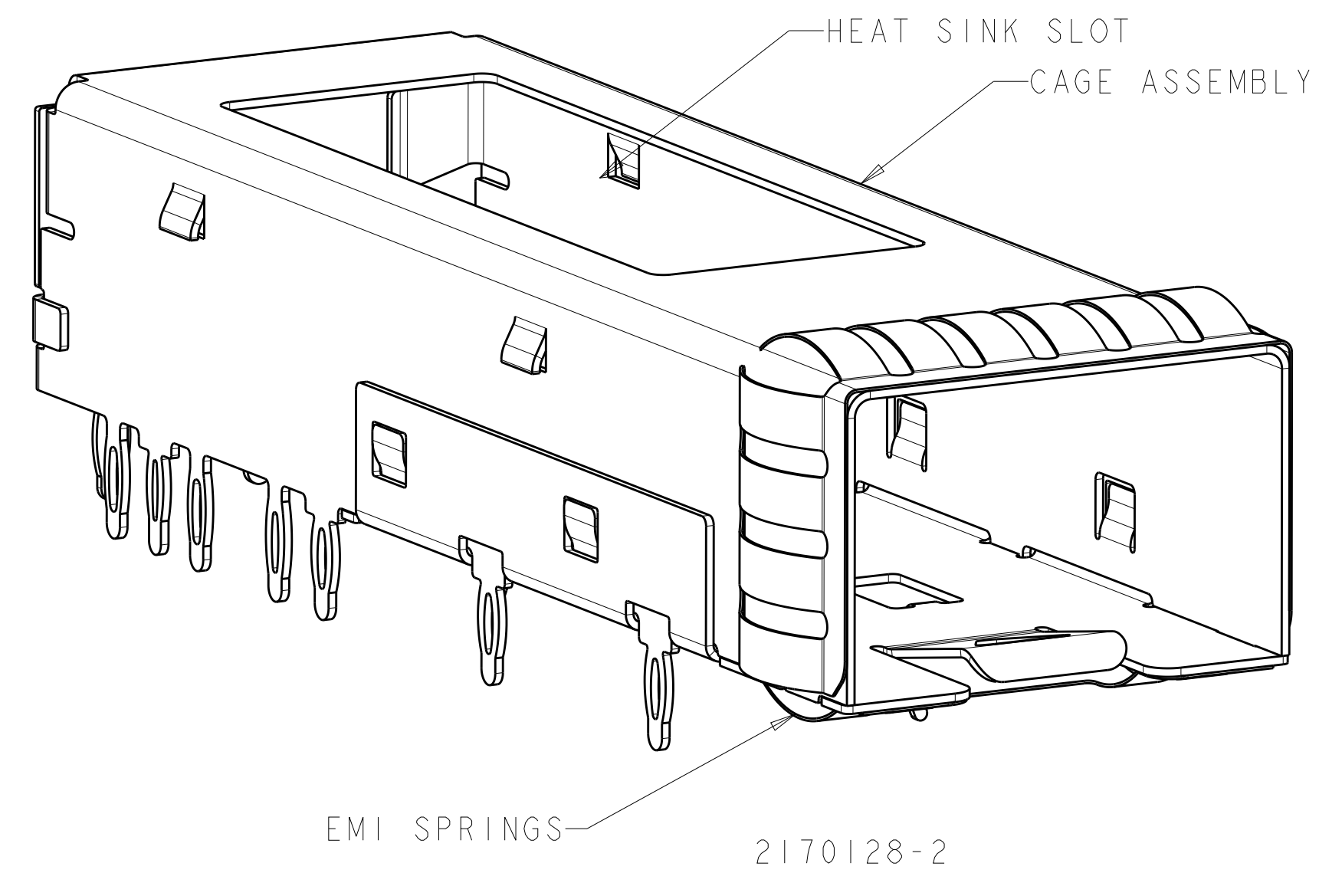
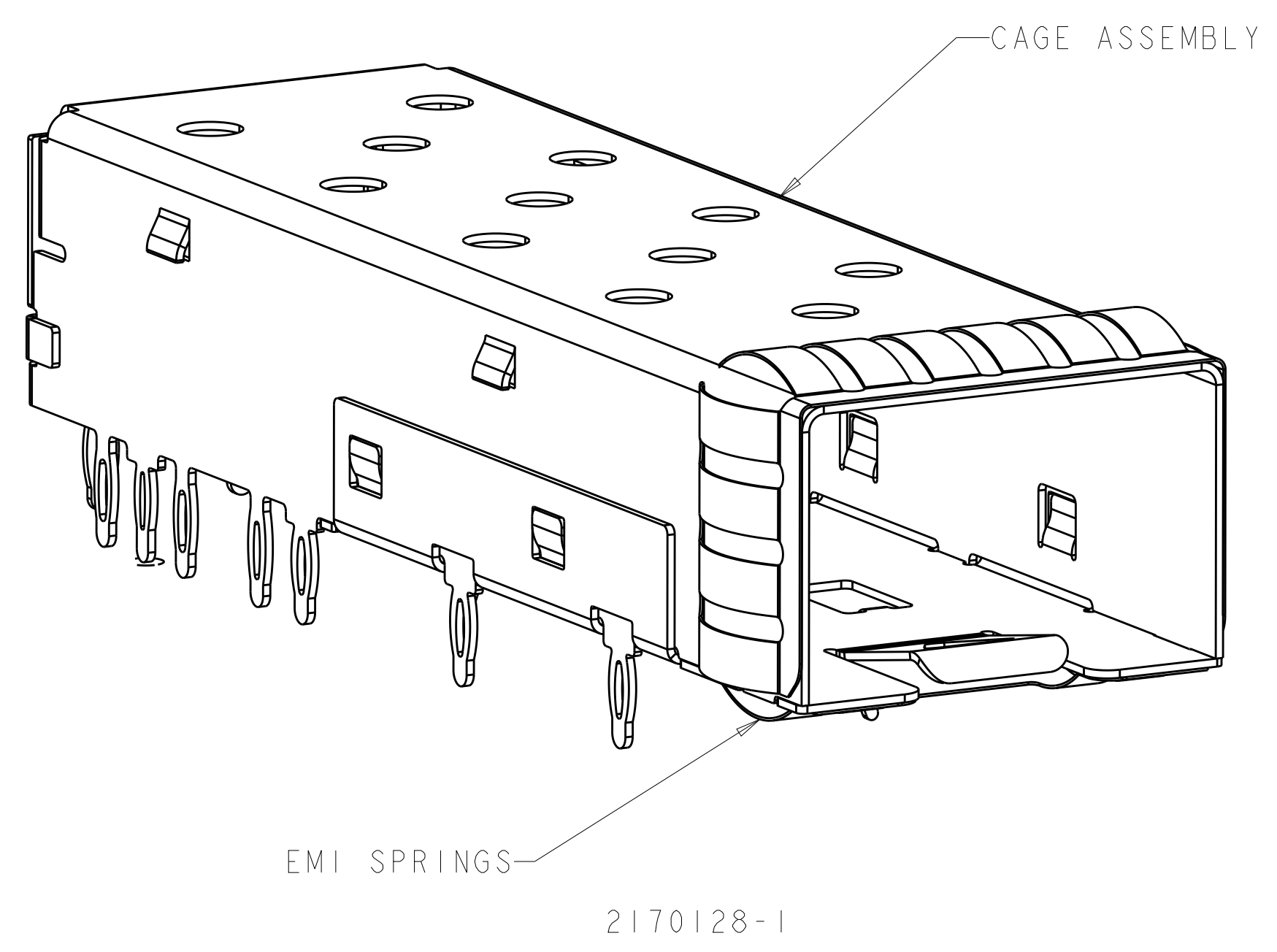
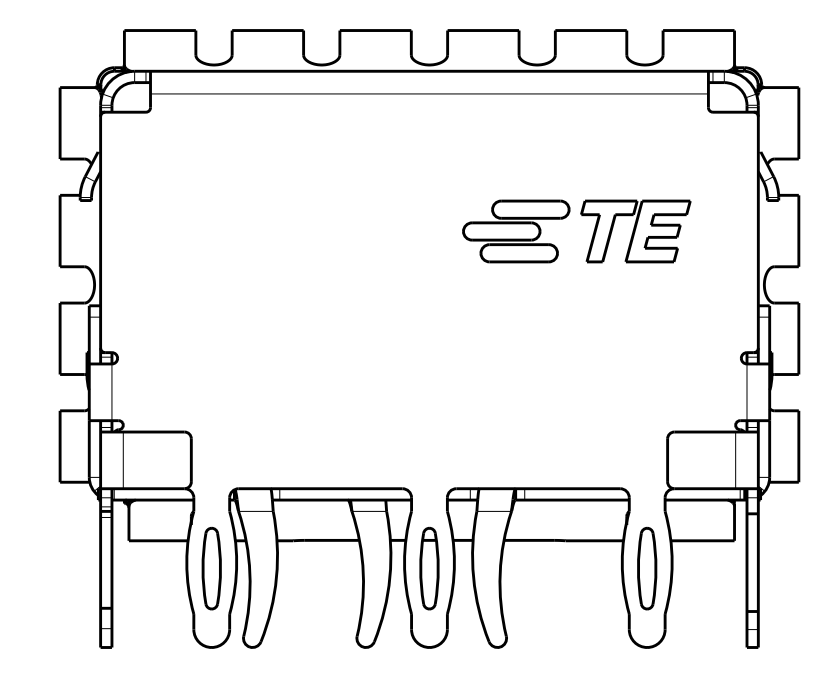
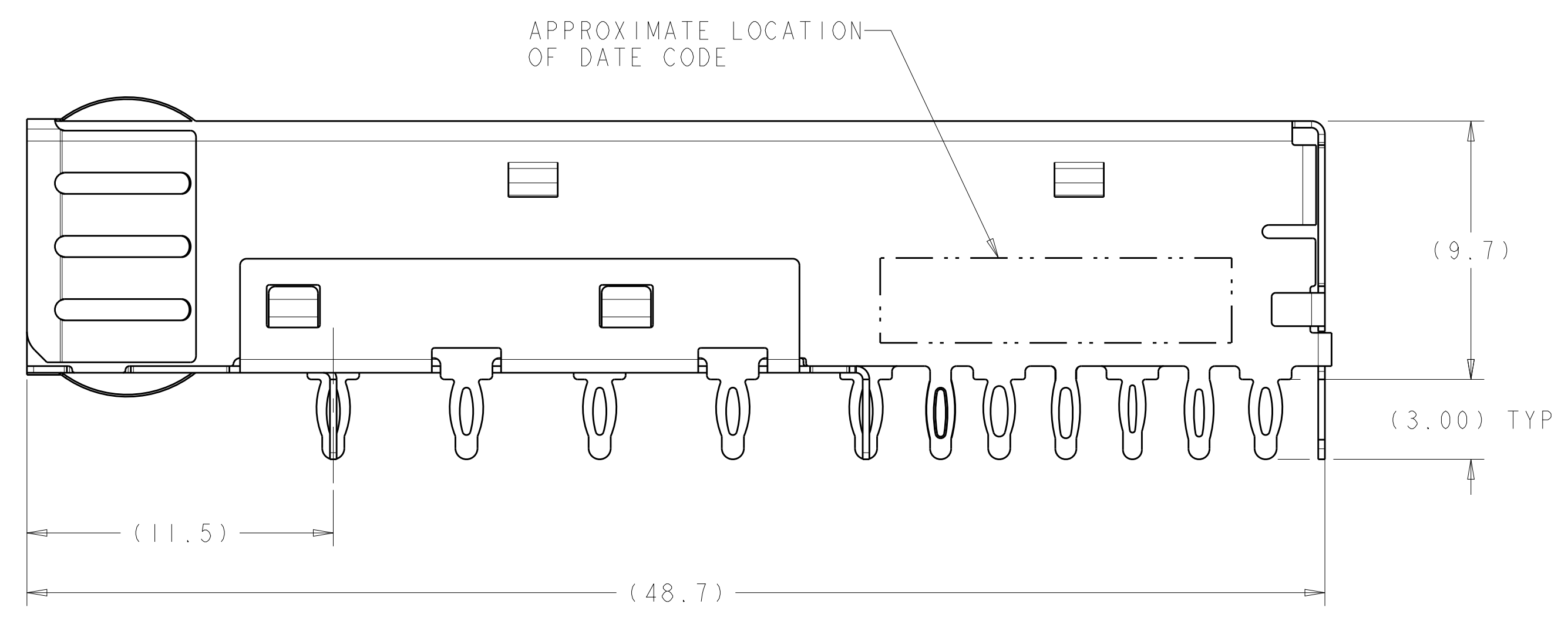
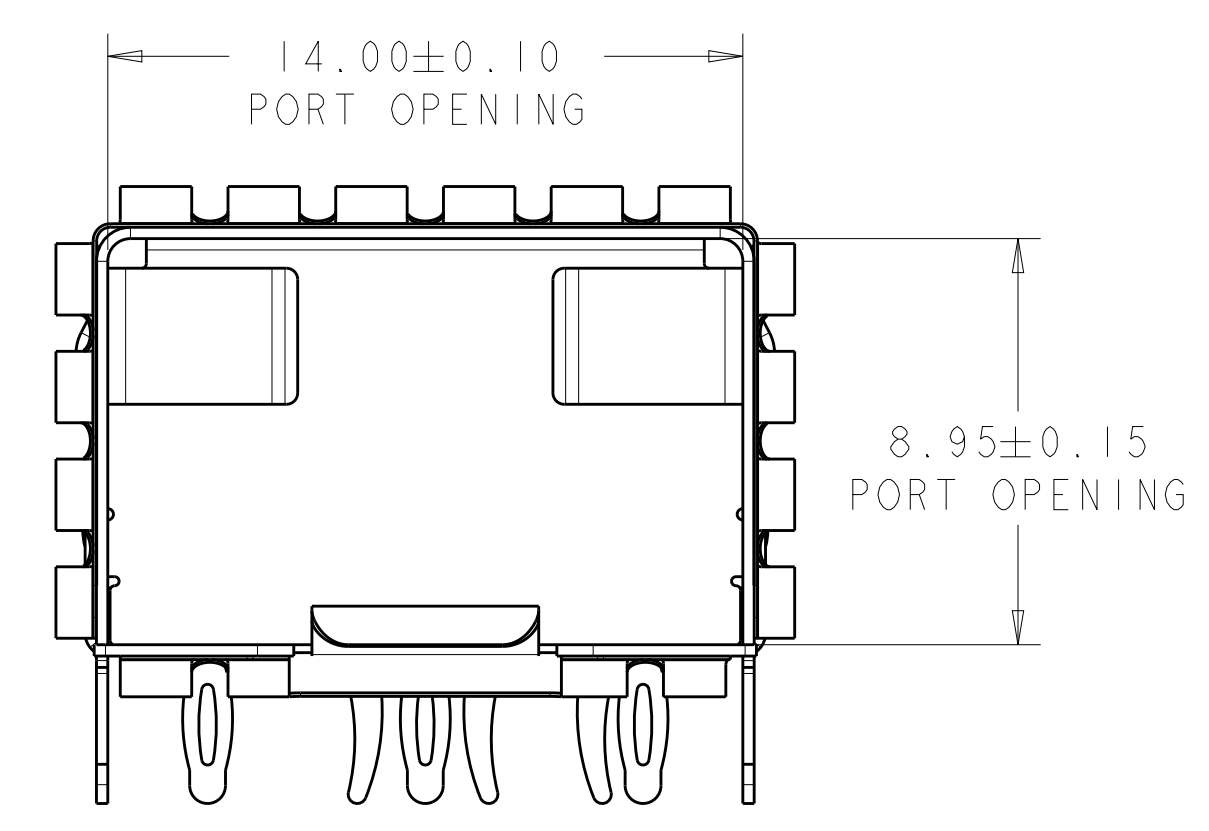
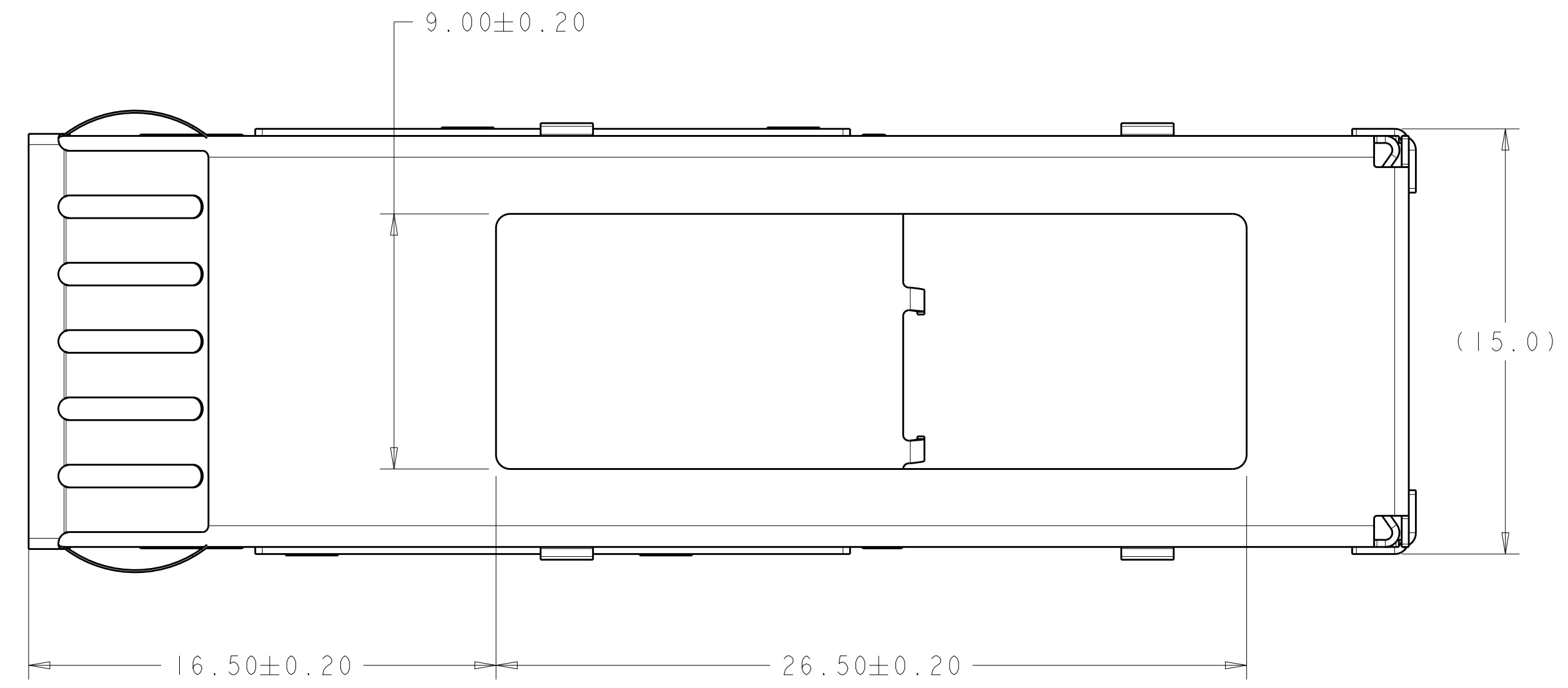


LOC	DIST	REVISIONS					
GP	00	P	LTN	DESCRIPTION	DATE	DWN	APVD
		A		RELEASED PER ECO-13-007850	09MAY2013	PP	SH
		A1		RELEASED PER ECO-13-015033	24SEP2013	JZ	SH
		A2		REVISED PER ECR-18-019121	28MAR2019	IT	SH



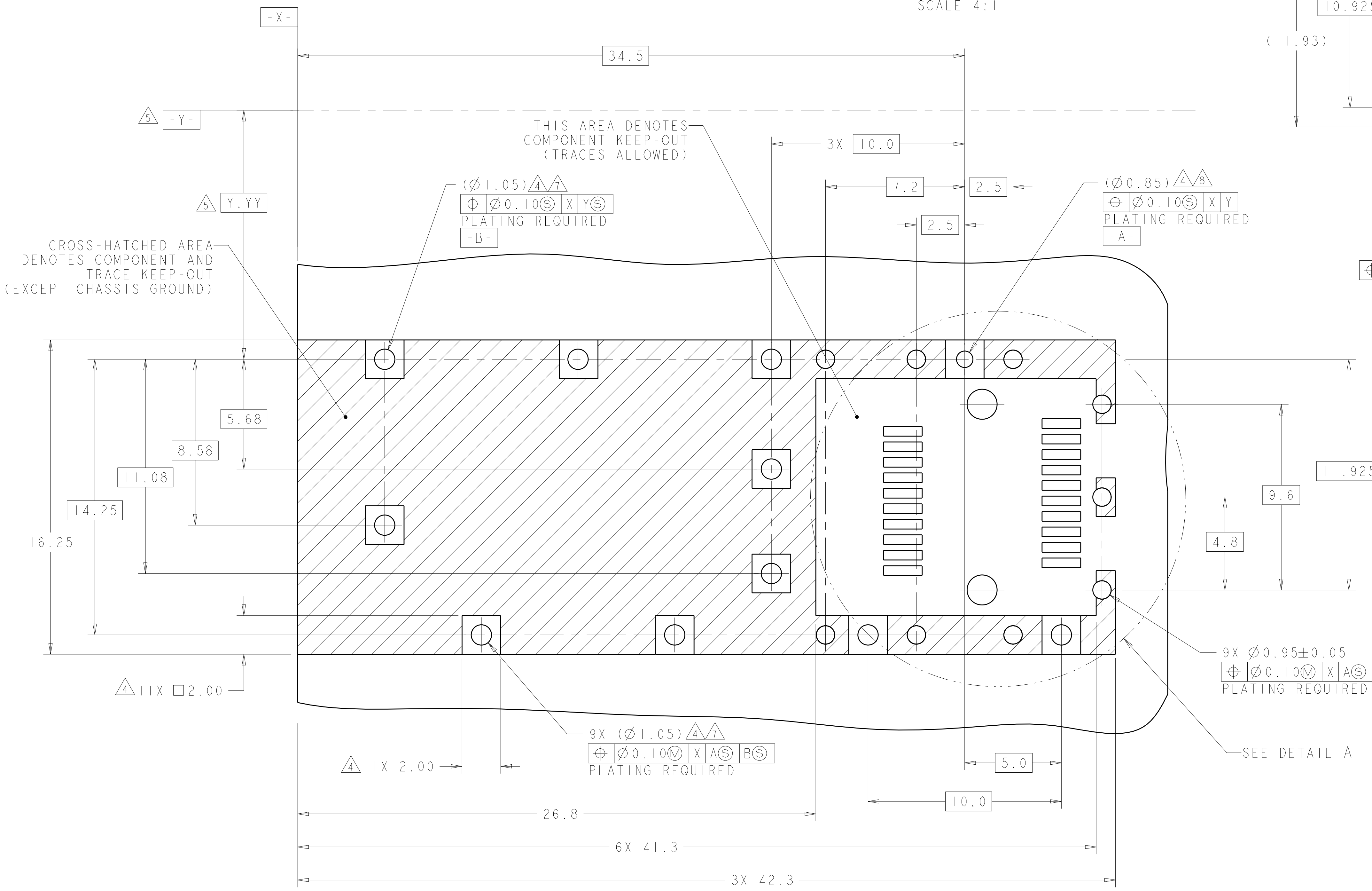
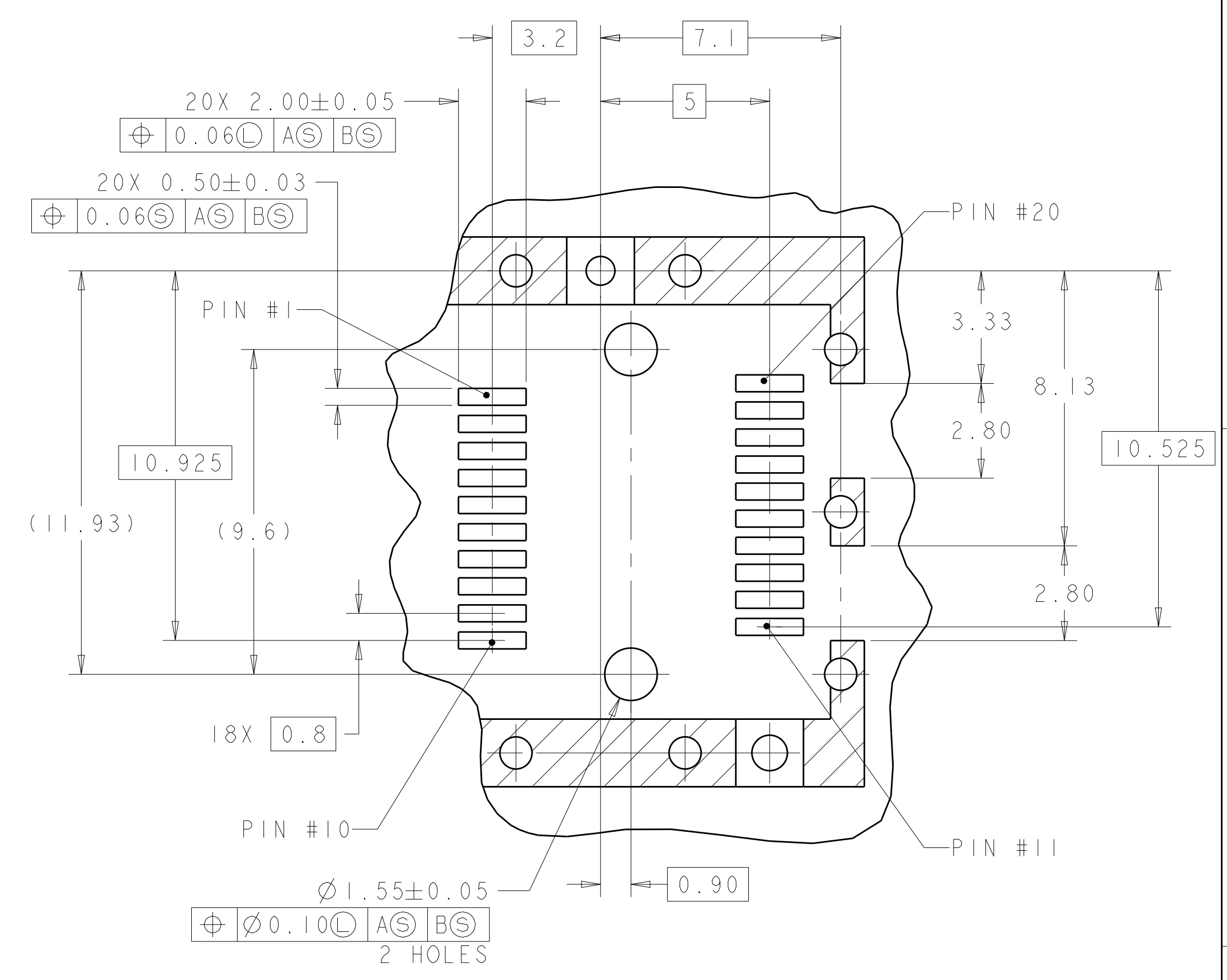
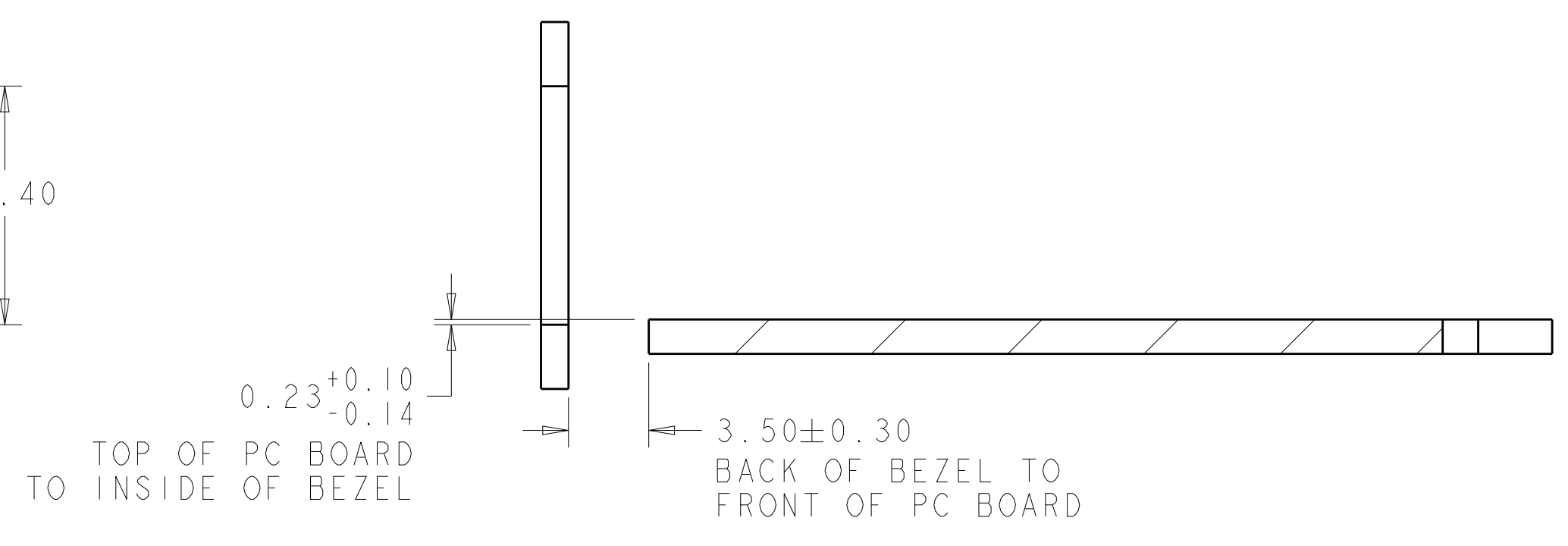
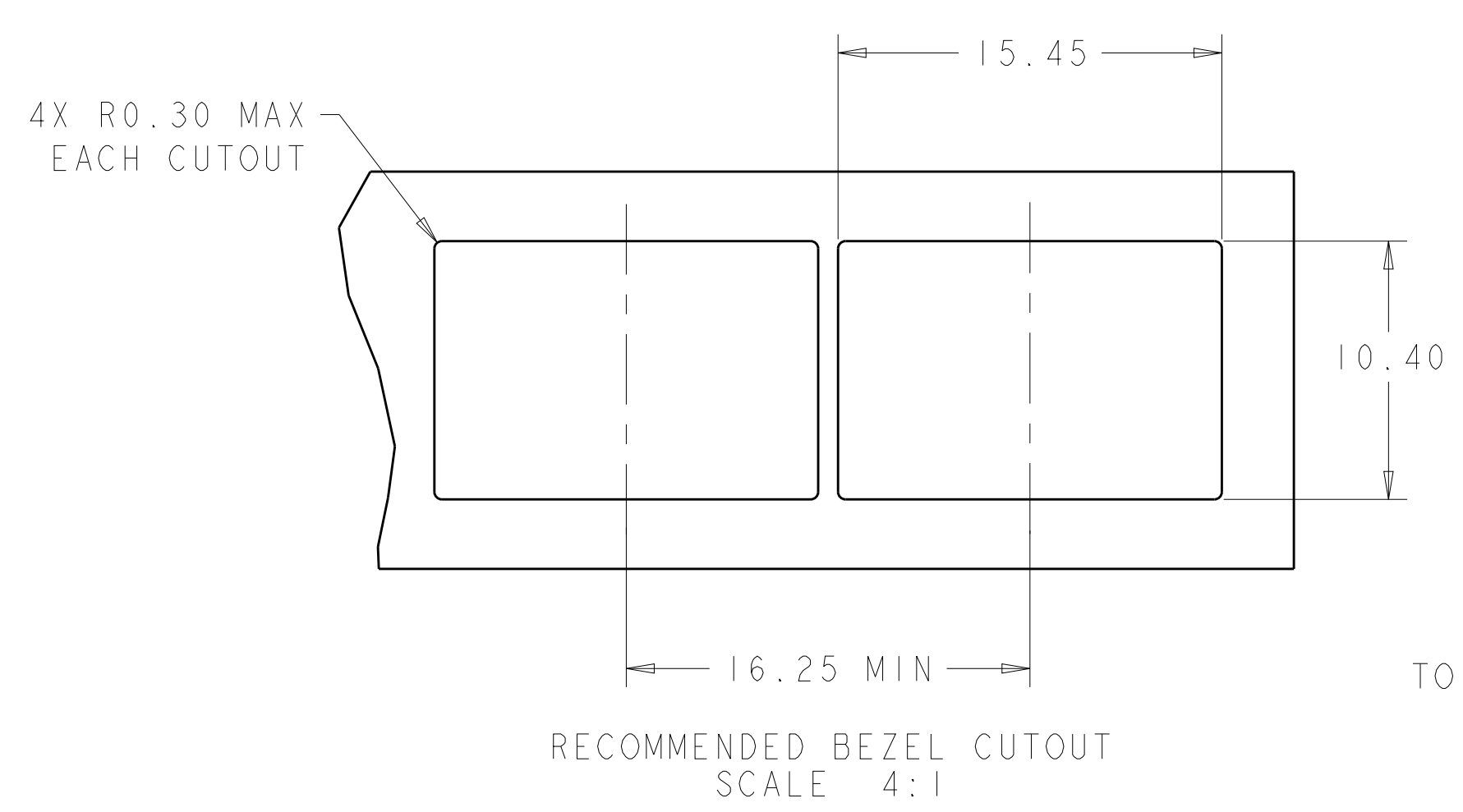
- ⚠ MATERIAL:
CAGE ASSEMBLY - NICKEL-SILVER ALLOY.
EMI SPRINGS - COPPER ALLOY.
- ⚠ FINISH:
EMI SPRINGS - 0.8-2um NICKEL PLATE
NON-PLATED EDGES PERMISSIBLE.
- 3. MATES WITH SFP MSA COMPLIANT TRANSCEIVERS.
- ⚠ PADS AND VIAS CHASSIS GROUND.
- ⚠ DATUM AND BASIC DIMENSION ESTABLISHED BY CUSTOMER.
- 6. MINIMUM PC BOARD THICKNESS:
SINGLE SIDED = 1.50 mm
- ⚠ REFERENCE APPLICATION SPEC. 114-13120, HOLE A, FOR
RECOMMENDED DRILL HOLE DIAMETER AND PLATING
THICKNESS.
- ⚠ REFERENCE APPLICATION SPEC. 114-13120, HOLE C, FOR
RECOMMENDED DRILL HOLE DIAMETER AND PLATING
THICKNESS.



WITH HEAT SINK SLOT	2170128-2
WITHOUT HEAT SINK SLOT	2170128-1
DESCRIPTION	PART NUMBER

THIS DRAWING IS A CONTROLLED DOCUMENT.		DWN	TIM XUE	30AUG2011	STC TE Connectivity
DIMENSIONS:		CHK	C. WANG	30AUG2011	
TOLERANCES UNLESS OTHERWISE SPECIFIED:		APVD	C. WANG	30AUG2011	
mm		NAME	SFP+ 1X1 CAGE ASSEMBLY PRESS-FIT, EXTERNAL EMI SPRINGS		
0 PLC	±	PRODUCT SPEC	108-2364		
1 PLC	±0.25	APPLICATION SPEC	114-13120		
2 PLC	±0.20	SIZE	CAGE CODE	DRAWING NO	RESTRICTED TO
3 PLC	±0.15	WEIGHT	A100779	C=2170128	-
4 PLC	±0.15	Customer Drawing	SCALE	6:1	SHEET 1 OF 2
ANGLES	±0.15				REV A2

LOC	DIST	REV	DATE	APPD	REVISED
GP	00				
					SEE SHEET 1



THIS DRAWING IS A CONTROLLED DOCUMENT.		OWN: TIM XUE 30AUG2011	 TE Connectivity
DIMENSIONS: mm		CHK: C. WANG 30AUG2011	
TOLERANCES UNLESS OTHERWISE SPECIFIED:		APPD: C. WANG 30AUG2011	
0 PLC ± .25 1 PLC ± .25 2 PLC ± .25 3 PLC ± .15 4 PLC ± .15 ANGLES ± .15		NAME: SFP+ 1X1 CAGE ASSEMBLY PRESS-FIT, EXTERNAL EMI SPRINGS	
MATERIAL:	FINISH:	PRODUCT SPEC: 108-2364	SIZE: A100779C=2170128
		APPLICATION SPEC: 114-13120	RESTRICTED TO:
		WEIGHT:	SCALE: 6:1 SHEET 2 OF 2 REV: A2
		Customer Drawing	

单击下面可查看定价，库存，交付和生命周期等信息

[>>TE Connectivity\(泰科\)](#)