

THIS DRAWING IS UNPUBLISHED.

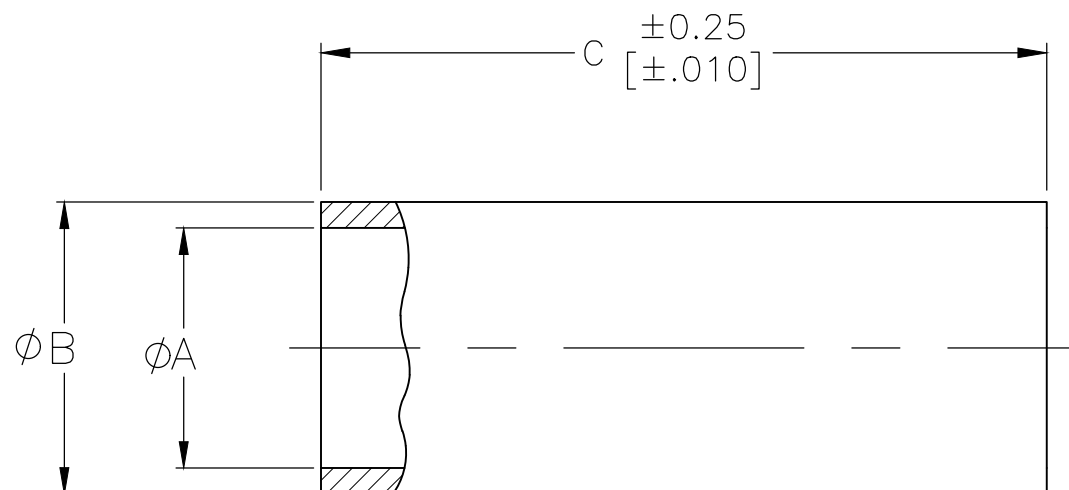
RELEASED FOR PUBLICATION

ALL RIGHTS RESERVED.

© COPYRIGHT - TE Connectivity Ltd.

REVISIONS

| P | LTR | DESCRIPTION | DATE | DWN | APVD |
|---|-----|---------------------------|-----------|-----|------|
| | G1 | REVISED PER ECR-18-013940 | 04SEP2018 | ED | RS |



| | | | | |
|-------------|-------------|-------------|----|------------|
| 9.60 [.380] | 3.15 [.124] | 2.49 [.098] | △4 | 9-413889-4 |
| 9.60 [.380] | 4.55 [.179] | 3.51 [.138] | △4 | 9-413889-3 |
| 9.60 [.380] | 3.86 [.152] | 3.20 [.126] | △4 | 9-413889-2 |
| 9.60 [.380] | 4.55 [.179] | 3.51 [.138] | △6 | 9-413889-1 |
| 9.60 [.380] | 3.86 [.152] | 3.20 [.126] | △6 | 9-413889-0 |
| 9.60 [.380] | 4.55 [.179] | 3.51 [.138] | △4 | 3-413889-4 |
| 7.87 [.310] | 3.15 [.124] | 2.49 [.098] | △4 | 3-413889-3 |
| 7.87 [.310] | 4.55 [.179] | 3.20 [.138] | △4 | 3-413889-2 |
| 7.87 [.310] | 3.86 [.152] | 3.20 [.126] | △4 | 3-413889-1 |
| 7.87 [.310] | 3.15 [.124] | 2.49 [.098] | △3 | 3-413889-0 |
| 7.87 [.310] | 4.55 [.179] | 3.51 [.138] | △3 | 2-413889-7 |
| 7.87 [.310] | 3.86 [.152] | 3.20 [.126] | △3 | 2-413889-4 |
| 9.60 [.380] | 3.86 [.152] | 3.20 [.126] | △5 | 2-413889-1 |
| 9.60 [.380] | 3.86 [.152] | 2.67 [.105] | △4 | 2-413889-0 |
| 9.60 [.380] | 3.15 [.124] | 2.49 [.098] | △4 | 1-413889-9 |
| 9.60 [.380] | 4.55 [.179] | 3.51 [.138] | △4 | 1-413889-8 |
| 9.60 [.380] | 3.86 [.152] | 3.20 [.126] | △4 | 1-413889-7 |
| 9.60 [.380] | 3.86 [.152] | 2.67 [.105] | △3 | 1-413889-6 |
| 9.60 [.380] | 3.15 [.124] | 2.49 [.098] | △3 | 1-413889-5 |
| 9.60 [.380] | 4.55 [.179] | 3.51 [.138] | △3 | 1-413889-4 |
| 9.60 [.380] | 3.86 [.152] | 3.20 [.126] | △3 | 1-413889-3 |
| 9.60 [.380] | 3.86 [.152] | 2.67 [.105] | △2 | 1-413889-2 |
| 9.60 [.380] | 3.15 [.124] | 2.49 [.098] | △2 | 413889-9 |
| 9.60 [.380] | 4.55 [.179] | 3.51 [.138] | △2 | 413889-6 |
| 9.60 [.380] | 3.86 [.152] | 3.20 [.126] | △2 | 413889-3 |

| C | B | A | FINISH | PART NUMBER |
|---|---|---|--------|-------------|
|---|---|---|--------|-------------|

- △1 COPPER ALLOY
- △2 BRIGHT TIN-LEAD PLATE PER ASTM B 545 WITH SUPPLEMENTAL ANTI-FRETTING LUBRICANT.
- △3 NICKEL PLATE.
- △4 GOLD PLATE
- △5 BLACK NICKEL PLATE.
- △6 TIN PLATE PER ASTM B 545 WITH SUPPLEMENTAL ANTI-FRETTING LUBRICANT.

OBSOLETE

THIS DRAWING IS A CONTROLLED DOCUMENT.

DWN M. O'BRINE 29OCT99
 CHK B. MOYER 29OCT99
 APVD B. MOYER 29OCT99

STE TE Connectivity

NAME: FERRULE

PRODUCT SPEC: -
 APPLICATION SPEC: -

SIZE: A3 CAGE CODE: 00779 DRAWING NO: C-413889 RESTRICTED TO: -

WEIGHT: 0.000000

CUSTOMER DRAWING SCALE: 10:1 SHEET: 1 OF 1 REV: G1

| DIMENSIONS: | TOLERANCES UNLESS OTHERWISE SPECIFIED: |
|-------------|--|
| mm [INCHES] | |
| | 0 PLC ± - |
| | 1 PLC ± - |
| | 2 PLC ± 0.05 [.002] |
| | 3 PLC ± - |
| | 4 PLC ± - |
| | ANGLES ± - |
| MATERIAL | FINISH |
| △1 | SEE TABLE |

单击下面可查看定价，库存，交付和生命周期等信息

[>>TE Connectivity\(泰科\)](#)