

THIS DRAWING IS UNPUBLISHED.

RELEASED FOR PUBLICATION

2008

© COPYRIGHT 2008

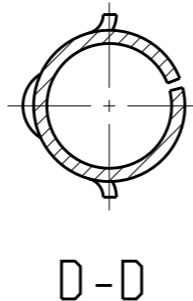
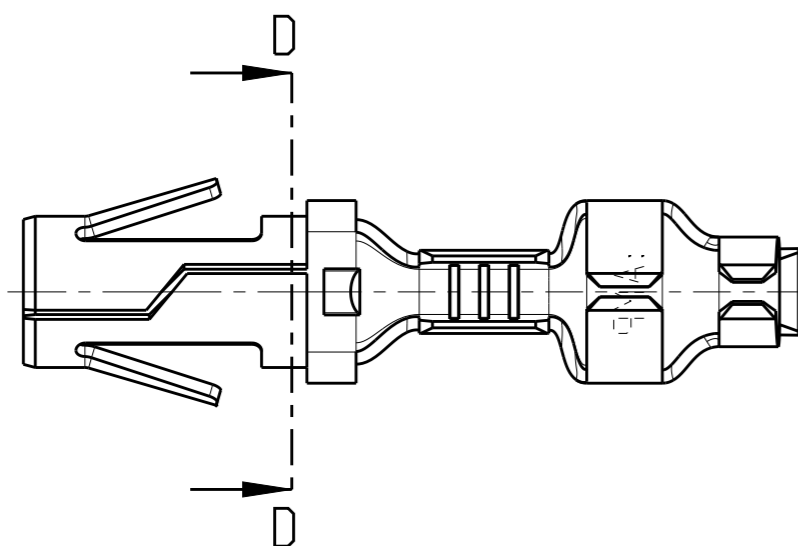
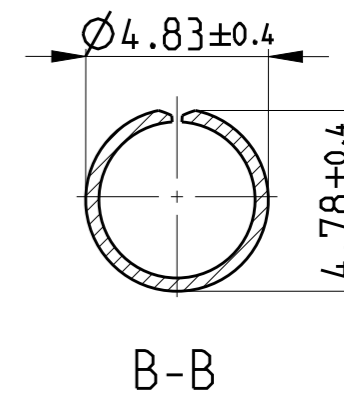
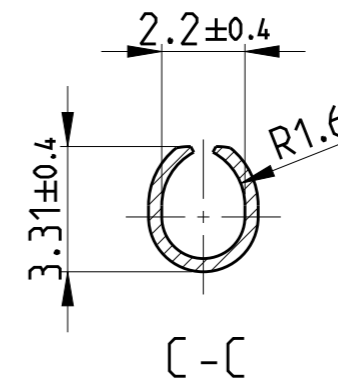
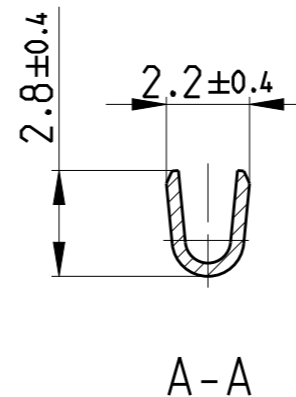
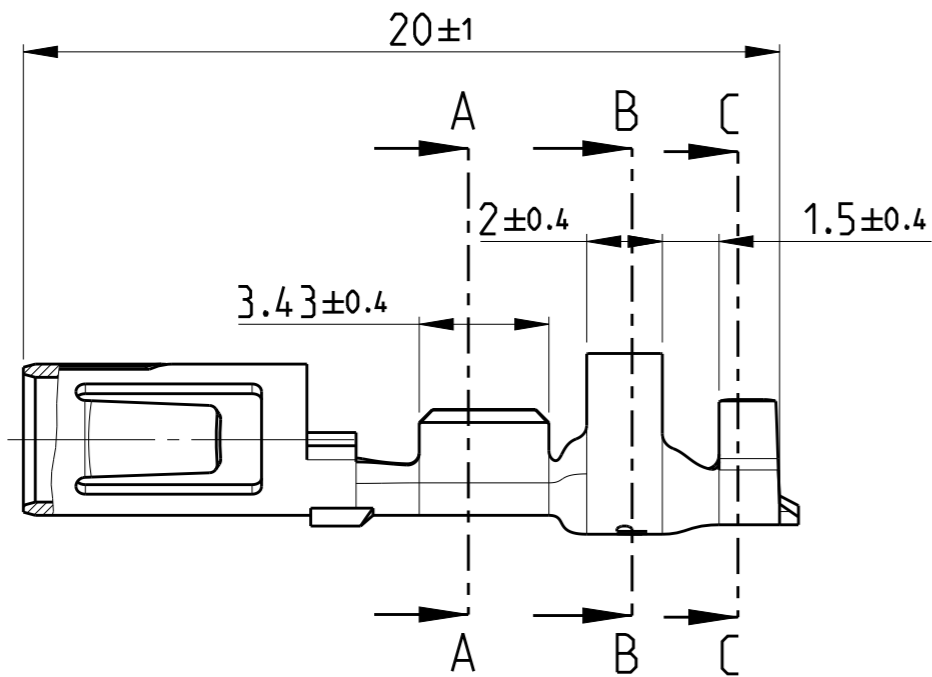
ALL RIGHTS RESERVED.

LOC  
AL

DIST  
2

REVISIONS

P	LTR	DESCRIPTION	DATE	DWN	APVD
A		New drawing released	25NOV2008	J.S	P.E.G
A1		ECR-10-026307	15JUN11	KK	HMR
A2		REVISED PER ECR-20-005051	27OCT2020	SS	VS



Cross section in mm <sup>2</sup>		0.5	0.75	1.0	1.5	2.0	2.5	3.0	4.0	6.0
Single connection	0.5	X	X							
	0.75	X								
	1.0	X								
	1.5									
	2.0									
	2.5									
	3.0									
	4.0									
	6.0									

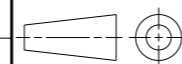
Terminal conductor: FLK-Cable  
 Conductor : F-Crimp  
 Insulation : O-Crimp

Wire size: 0.5-1.0 mm<sup>2</sup>

OBSOLETE	—Silver	Phosphor Bronze	927844-4
OBSOLETE	—Plain	Phosphor Bronze	927844-3
	Pre-tin	Phosphor Bronze	927844-2
OBSOLETE	Pre-tin	Brass	927844-1
	Finish	Material	Part no.

THIS DRAWING IS A CONTROLLED DOCUMENT.

DIMENSIONS:  
mm



MATERIAL see table

TOLERANCES UNLESS OTHERWISE SPECIFIED:

0 PLC ±0.2  
 1 PLC ±0.2  
 2 PLC ±0.2  
 3 PLC ±0.2  
 4 PLC ±0.2  
 ANGLES ±1° 30'  
 FINISH see table

DWN J. Salo 25NOV2008

CHK R. Sole 25NOV2008

APVD P.F. Grassano 25NOV2008

PRODUCT SPEC

APPLICATION SPEC

WEIGHT -

CUSTOMER DRAWING

**TE** TE Connectivity

NAME .140 DIA SOCKET

SIZE A3 CAGE CODE - DRAWING NO C-927844 RESTRICTED TO

SCALE 5:1 SHEET 1 OF 1 REV A2

单击下面可查看定价，库存，交付和生命周期等信息

[>>TE Connectivity\(泰科\)](#)