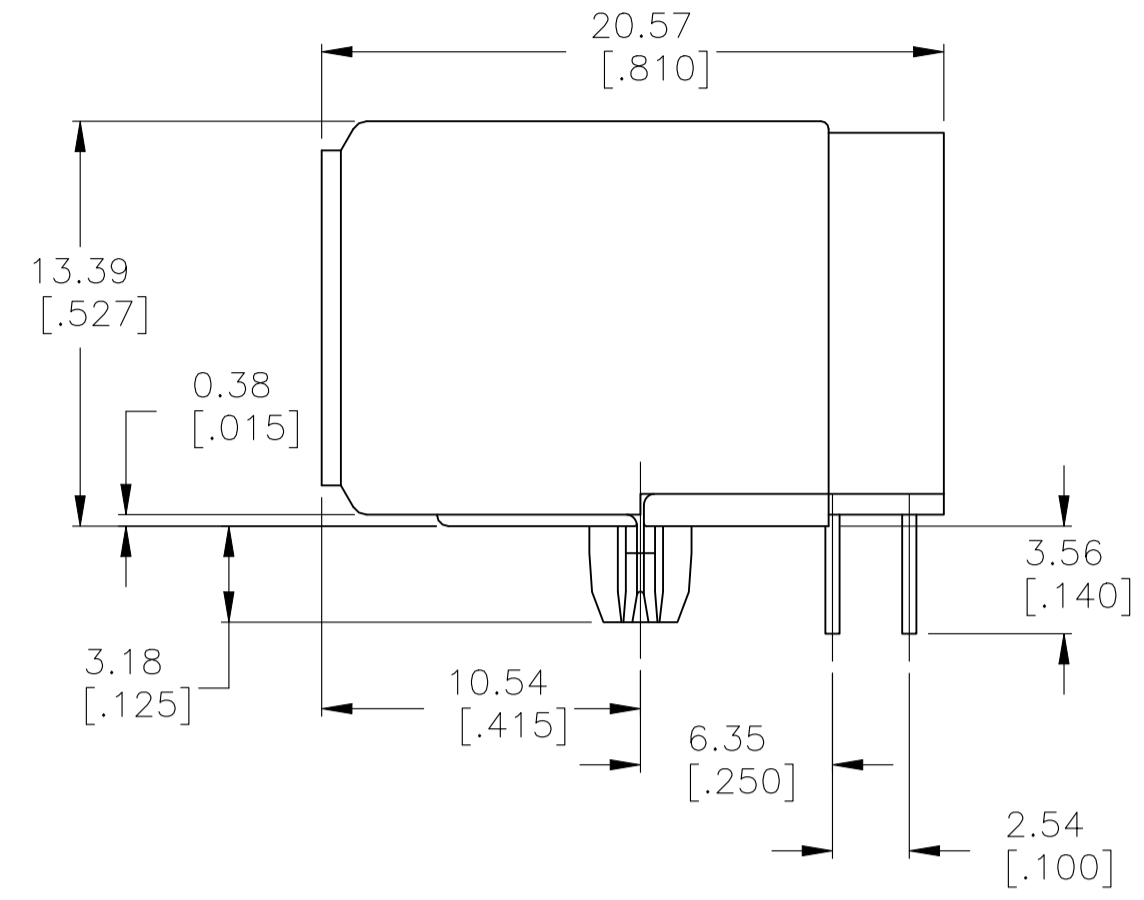
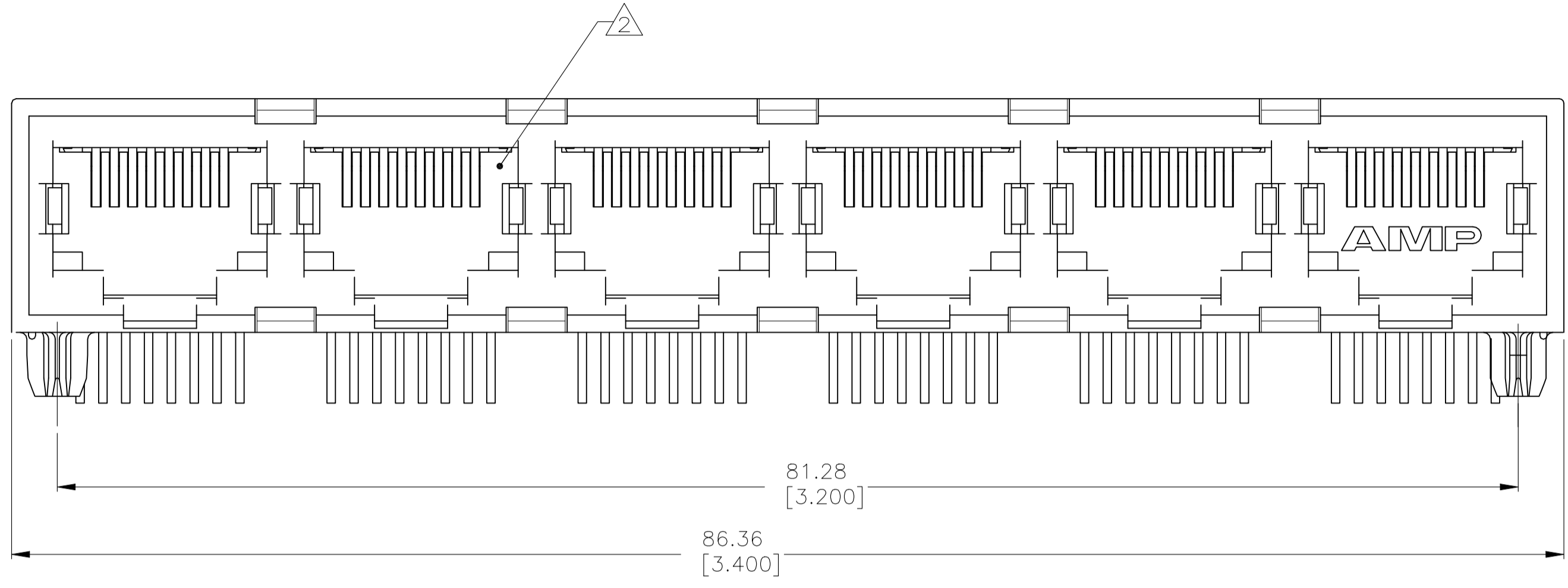
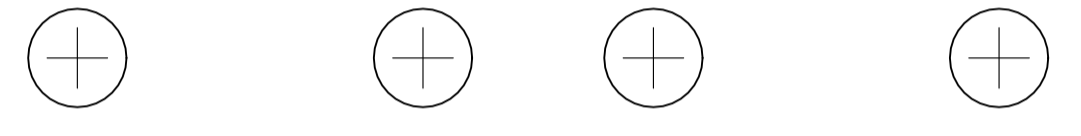


REVISIONS					
REV	DATE	DESCRIPTION	BY	CHK	APP'D
B1	13DEC2020	ECR-19-014657	RR	SZ	

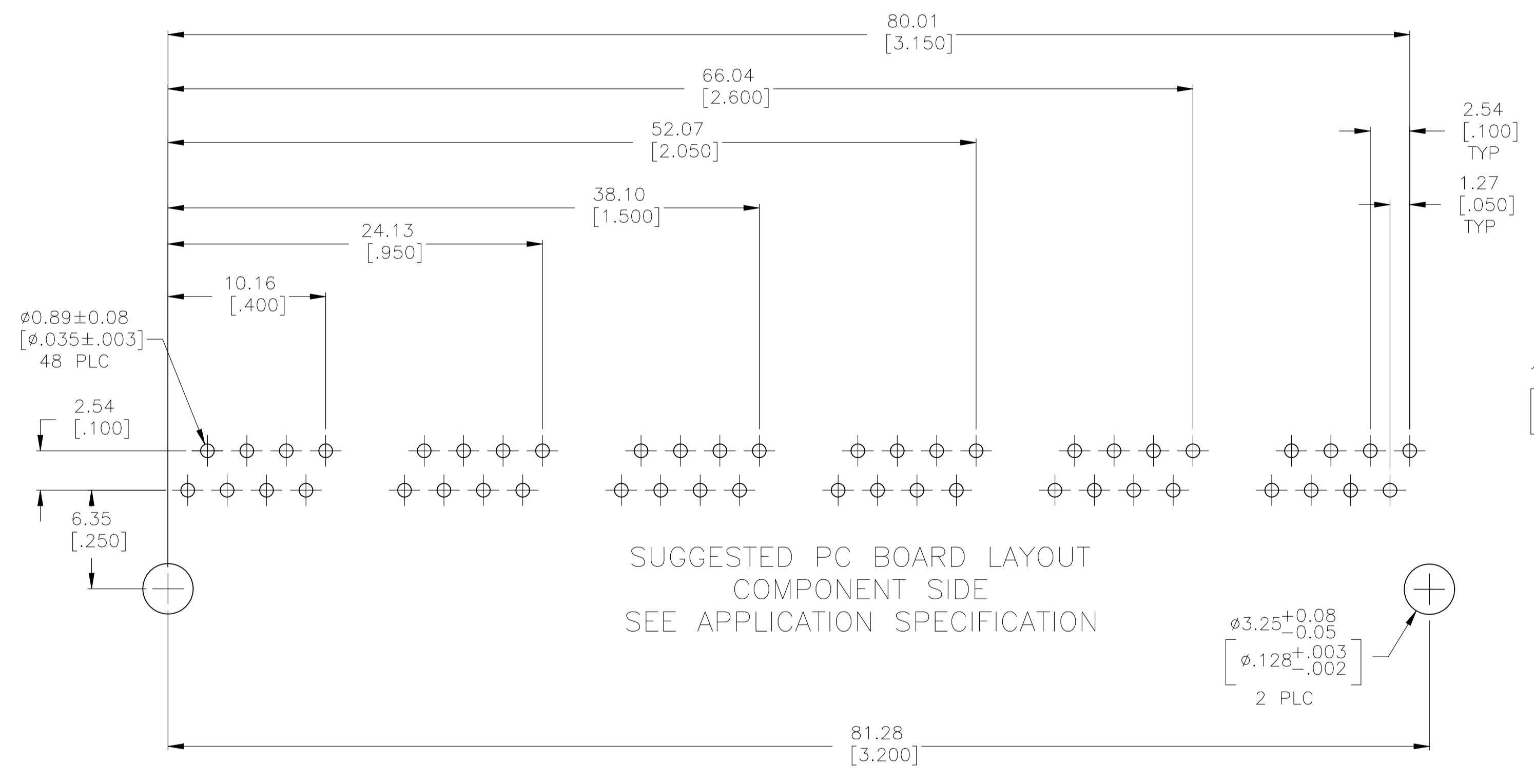


- MATERIAL: HOUSING—HIGH TEMPERATURE NYLON, BLACK, IR COMPATIBLE, UL 94V-0.  
TERMINALS — 0.33 [.013] THICK PHOS BRONZE PLATED WITH 1.27µm [.000050] MINIMUM HARD GOLD IN LOCALIZED AREA AND 3.81µm [.000150] MINIMUM MATTE TIN IN SOLDER AREA OVER 1.27µm [.000050] MINIMUM NICKEL UNDERPLATE

- ⚠ JACK CAVITY CONFORMS TO FCC RULES AND REGULATIONS, PART 68 SUBPART F.
- ⚠ CAUTION: CATEGORY 5 JACK SOLDER TAIL POSITIONS DO NOT FOLLOW SAME NUMBER SEQUENCE AS THAT OF THE TRADITIONAL JACKS.



TRADITIONAL JACK ⊕ CATEGORY 5 & 5e JACK ⊕

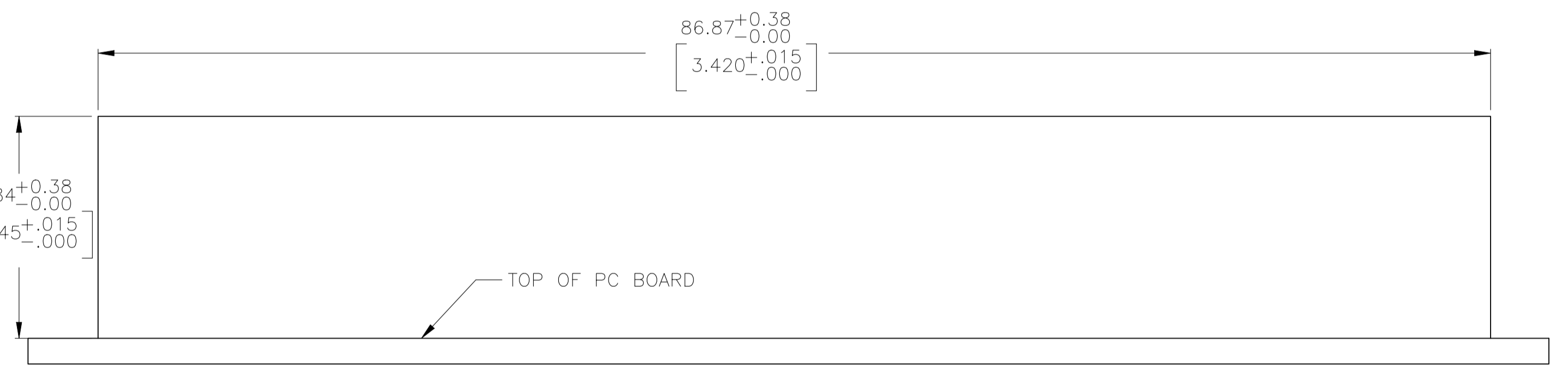


2.54 [.100] TYP  
1.27 [.050] TYP

2.54 [.100]

$13.84^{+0.38}_{-0.00}$   
 $1.545^{+0.015}_{-0.000}$

SUGGESTED PANEL CUTOUT



5558501-1  
PART NO.

THIS DRAWING IS A CONTROLLED DOCUMENT.		DWG: W. LONG/L.A.MAYER 03NOV2006	TE Connectivity	
DIMENSIONS: mm [INCHES]		CHK: J.WESTMAN 03NOV2006	APVD: S.FLICKINGER 03NOV2006	
TOLERANCES UNLESS OTHERWISE SPECIFIED:		NAME: MODULAR JACK ASSEMBLY, 6 PORT, 8 POSITION, RIGHT ANGLE, CATEGORY 5e		
0 PLC ± -	1 PLC ± -	PRODUCT SPEC: 108-1392		
2 PLC ± 0.25 [.010]	3 PLC ± -	APPLICATION SPEC: 114-2048		
4 PLC ± -	ANGLES ± -	SIZE: A1	CAGE CODE: 00779	DRAWING NO: 5558501
MATERIAL: SEE NOTE 1	FINISH: SEE NOTE 1	WEIGHT: 0.000000	SCALE: 4:1	SHEET: 1 of 1
CUSTOMER DRAWING		REV: B1		

单击下面可查看定价，库存，交付和生命周期等信息

[>>TE Connectivity\(泰科\)](#)