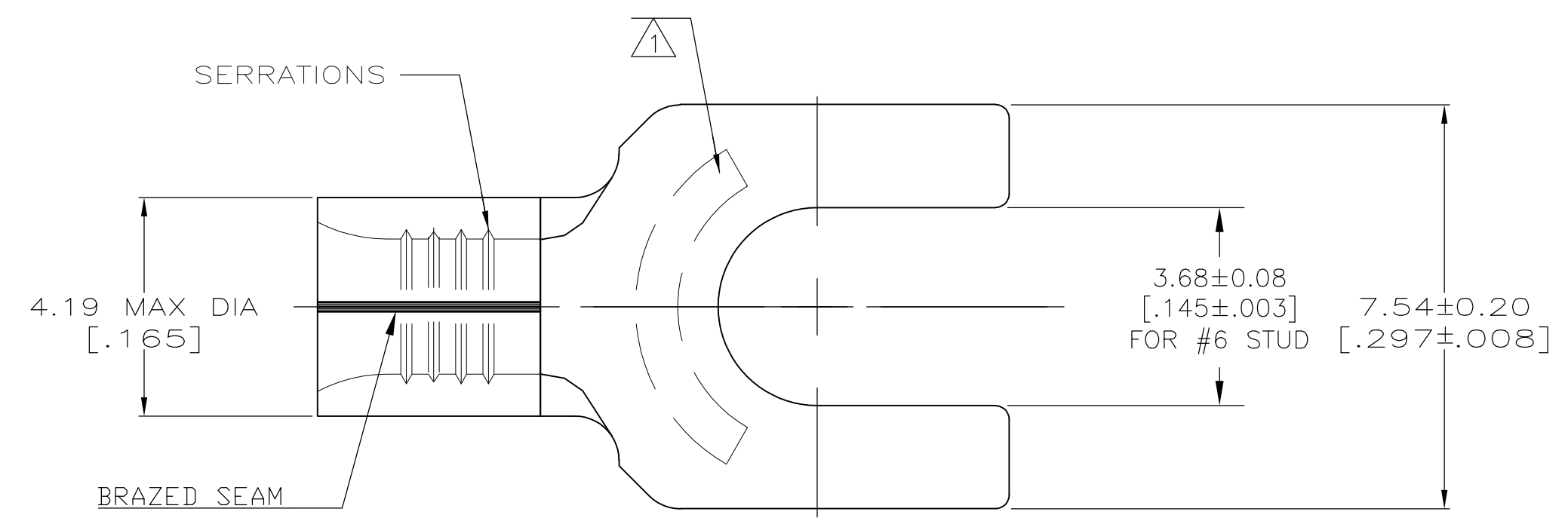


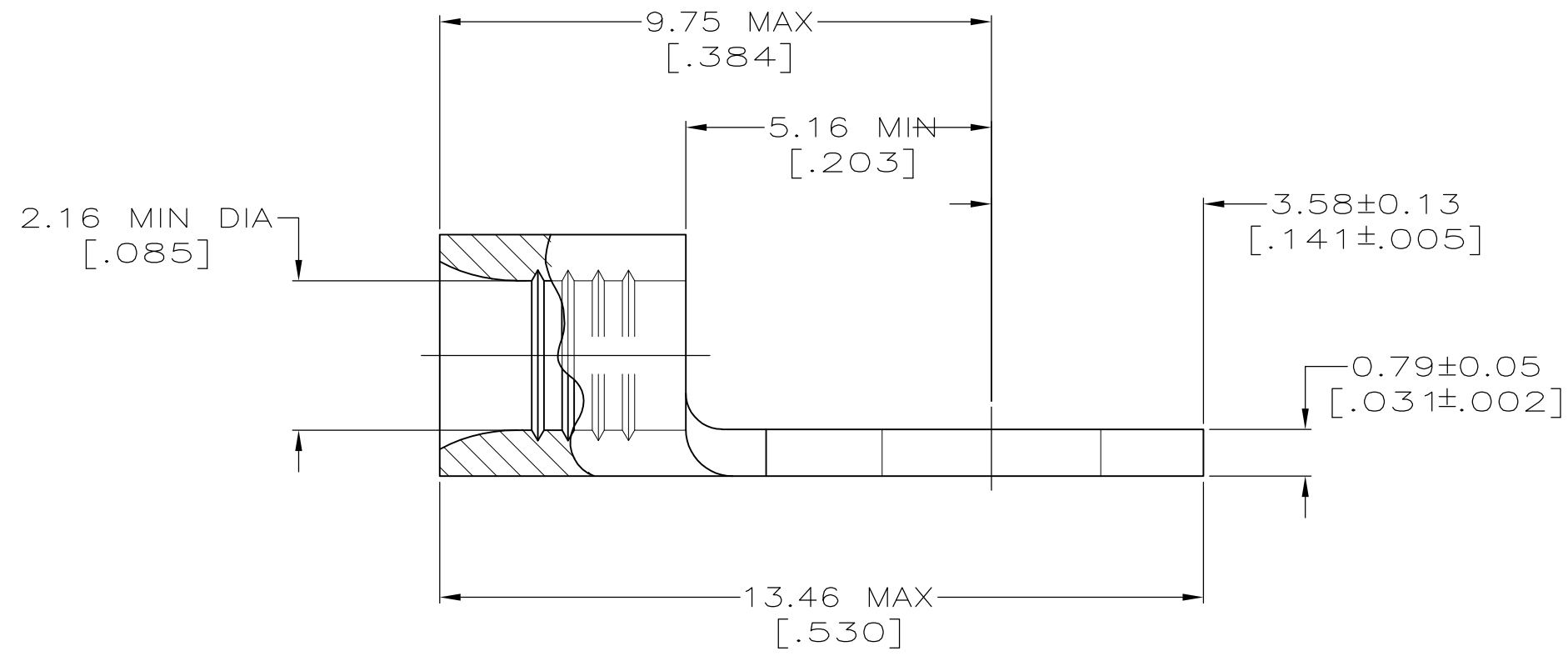
THIS DRAWING IS UNPUBLISHED. RELEASED FOR PUBLICATION
 © COPYRIGHT - By - ALL RIGHTS RESERVED.

LOC	DIST	REVISIONS			
P	LTR	DESCRIPTION	DATE	DWN	APVD
G	14	C2	REVISED PER ECO-11-005027	11MAR11	RK HMR



AMP WIRE RANGE	UL Listed FILE E13288	SR LR7189 Certified
16-14 AWG SOLID OR STRANDED	16-14 AWG SOLID OR STRANDED	16-14 AWG SOLID OR STRANDED

- 1 STAMP AMP 16-14*, APPROX AS SHOWN
- 2 COPPER PER ASTM B-152, ANNEALED
- 3 0.00254 [.000100] MIN TIN PER ASTM B-545



100	LOOSE PIECE, BOX	8-322996-1
5000	ON TAPE	2-322996-1
--	LOOSE PIECE	322996
QTY	PACKAGE TYPE	PART NUMBER

CUSTOMER SERVICE SYSTEMS		MAX RECOMMENDED OPERATING TEMPERATURE: 170°C MAX
FOR ADDITIONAL PRODUCT INFORMATION OR COPIES OF DRAWINGS AND TECHNICAL DOCUMENTS	PRODUCT INFORMATION CENTER 1-800-522-6752	VOLTAGE RATING: N/A
FOR APPLICATION TOOLING INFORMATION	TOOLING ASSISTANCE CENTER 1-800-722-1111	CIRCULAR MIL AREA: 1.04-2.62mm ² [2,050-5,180] SOLID OR STRANDED
FOR ORDER ENTRY	1-800-526-5142	

THIS DRAWING IS A CONTROLLED DOCUMENT FOR AMP INCORPORATED. IT IS SUBJECT TO CHANGE AND THE CONTROLLING ENGINEERING ORGANIZATION SHOULD BE CONTACTED FOR THE LATEST REVISION.

THIS DRAWING IS A CONTROLLED DOCUMENT.	
DIMENSIONS: mm[INCHES]	TOLERANCES UNLESS OTHERWISE SPECIFIED:
0 PLC ± -	1 PLC ± -
2 PLC ± 0.20 [.008]	3 PLC ± -
4 PLC ± -	ANGLES ± -
MATERIAL - 2	FINISH - 3

DWN TA BRINKMAN 1-28-93	STE TE Connectivity	
CHK DA PATTERSON 1-28-93	NAME TERMINAL, SPADE TONGUE, SOLISTRAND	
APVD JL MECKLEY 1-28-93	PRODUCT SPEC	RESTRICTED TO
APPLICATION SPEC	SIZE A2	CAGE CODE 00779
WEIGHT	DRAWING NO G-322996	SCALE 10:1
CUSTOMER DRAWING	SHEET 1 OF 1	REV C2

单击下面可查看定价，库存，交付和生命周期等信息

[>>TE Connectivity\(泰科\)](#)