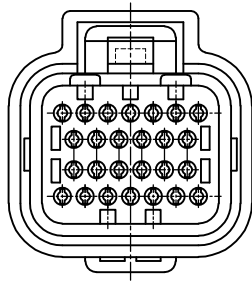
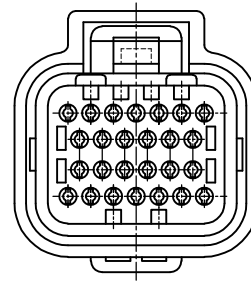


LOC J	DIST —	REVISIONS 変更			DATE	DWN	APVD
		P	LTR	DESCRIPTION	28MAR11	RK	HMR
		P		REVISED PER ECO-11-005140			



1473416-1



1473416-2

1. SEE 2-1437285-3 FOR OTHER FEATURES
 2. PART NUMBER OF CAP ASSEMBLY TO BE MATED: SEE TABLE-1
1. その他の形状は、2-1437285-3参照。
 2. 嵌合相手型番：TABLE-1 参照。

1473416-2	1473423-2 (26Pos.)
	6473423-2 (26Pos.)
1473416-1	1473427-1 (60Pos.)
	1473423-1 (26Pos.)
	1473418-2 (26Pos.)
	6473427-1 (60Pos.)
	6473423-1 (26Pos.)
	6473418-2 (26Pos.)
PART NUMBER	MATING CAP ASSEMBLY


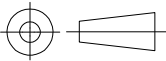
TABLE-1

RELEASED FOR PUBLICATION

ALL RIGHTS RESERVED.

THIS DRAWING IS UNPUBLISHED.

COPYRIGHT - By -

DIMENSIONS: 単位： 耗 mm	DWN S. FURUYA	05APR01	MATERIAL 材料	-	FINISH 仕上	-	
	CHK Y. FUJIWARA	05APR01	 TE Connectivity				
TOLERANCES UNLESS OTHERWISE SPECIFIED: 一般公差	APVD K. ASAI	05APR01					
0 PLC ± -	PRODUCT SPEC 製品規格	-	NAME 名称 SUPER SEAL CONNECTOR PLUG HOUSING 26POS. ASSEMBLY(SINGLE)				
1 PLC ± -	APPLICATION SPEC 取付適用規格	-					
2 PLC ± -	WEIGHT	-	SIZE	A4	CAGE CODE	00779	
3 PLC ± -		CUSTOMER DRAWING	DRAWING NO	??	1473416	RESTRICTED TO	-
4 PLC ± -			SCALE 尺度	1:1	SHEET	1 OF 1	REV
ANGLES ± -							

单击下面可查看定价，库存，交付和生命周期等信息

[>>TE Connectivity\(泰科\)](#)