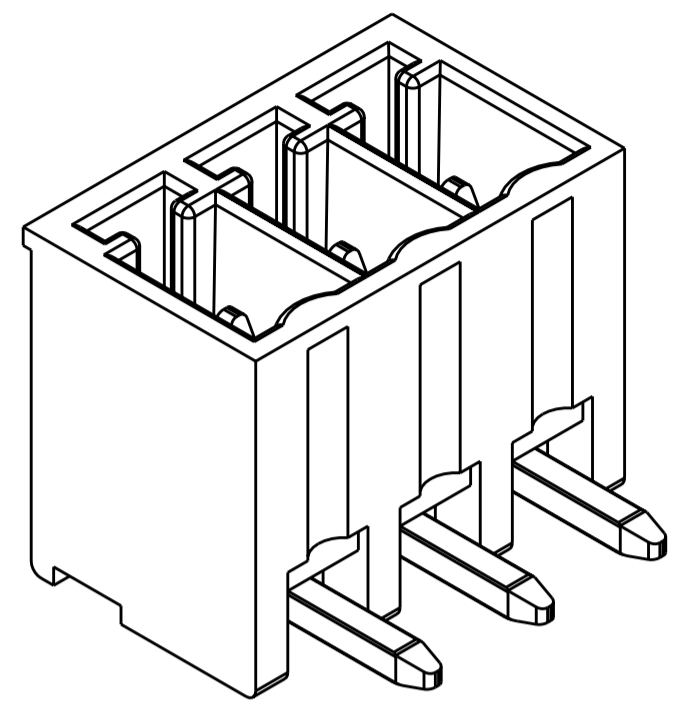
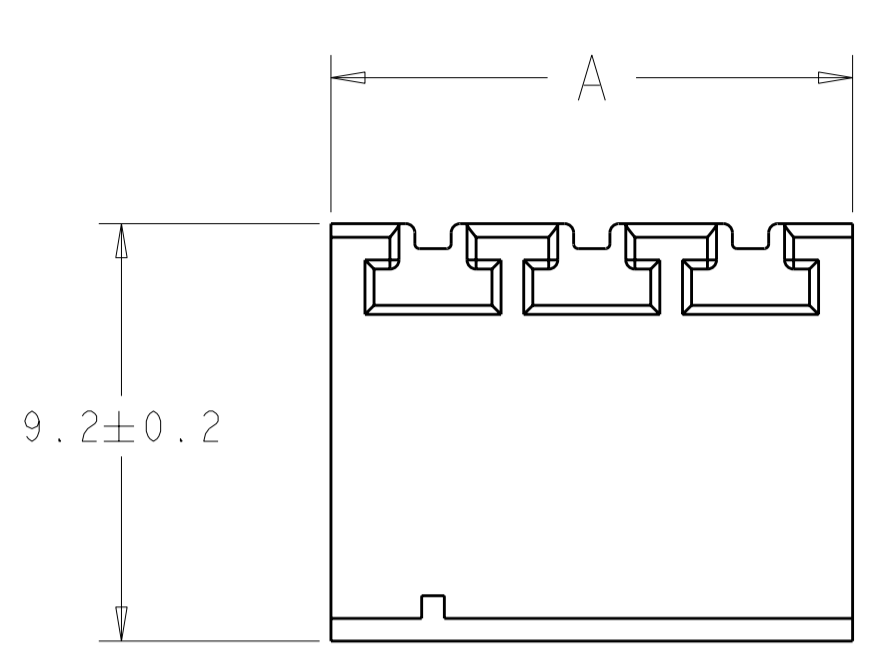
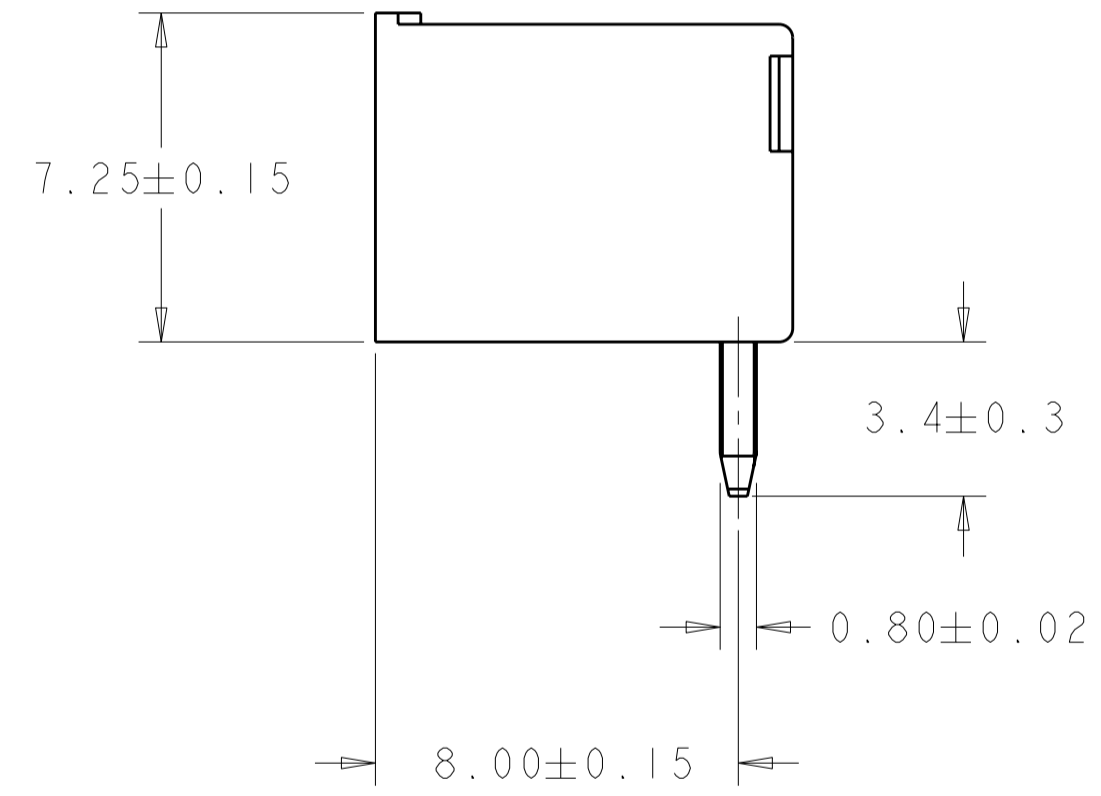
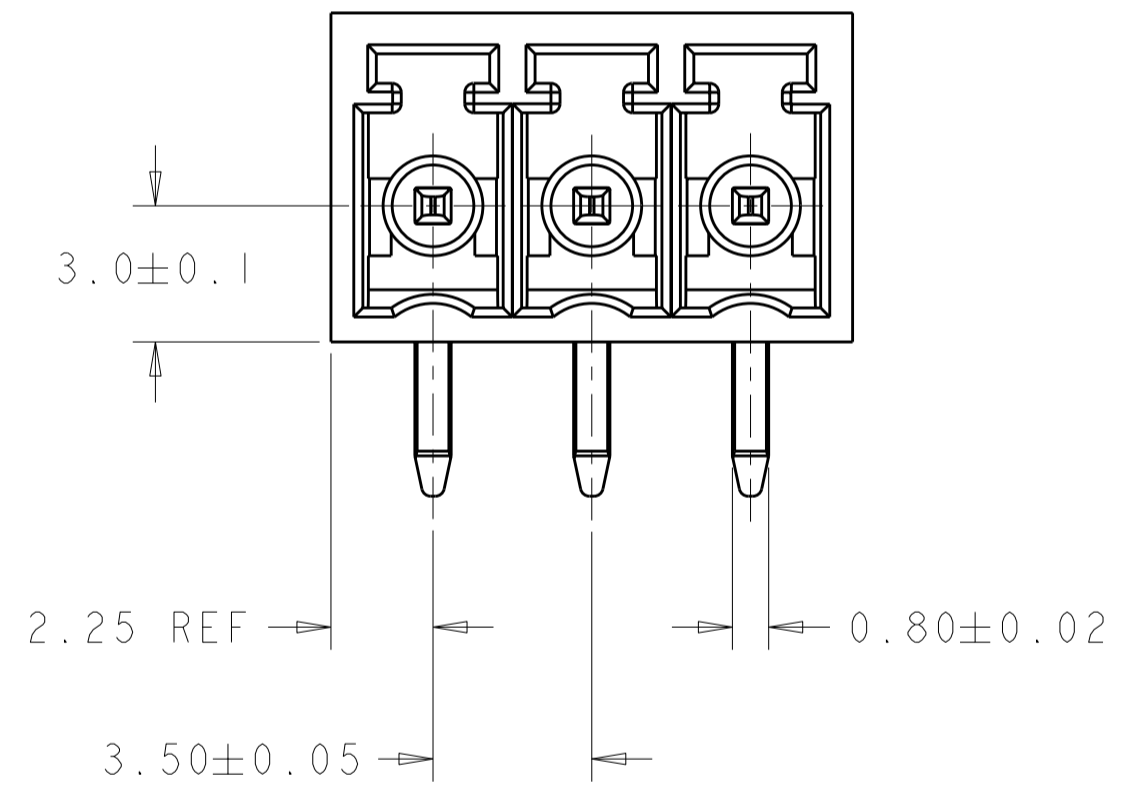


THIS DRAWING IS UNPUBLISHED. RELEASED FOR PUBLICATION 20
 © COPYRIGHT 20 BY TYCO ELECTRONICS CORPORATION. ALL RIGHTS RESERVED.

LOC	DIST	REVISIONS			
P	LTR	DESCRIPTION	DATE	DWN	APVD
FT	0	0 PRELIMINARY	08MAY2006	SW	CR

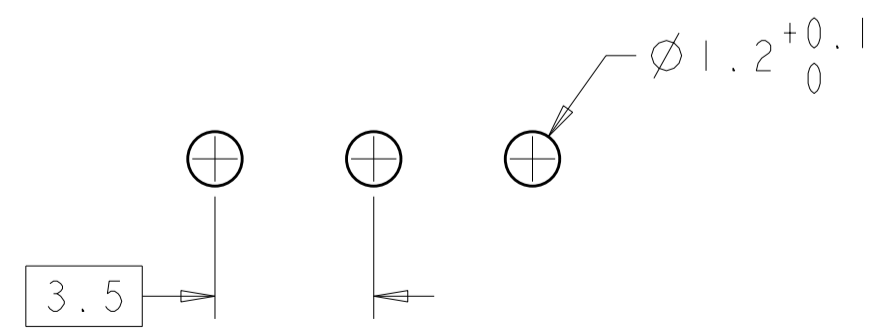


- 1. MATERIAL AND FINISH:
 HOUSING: PA 6.6, UL 94V-0 RATED, COLOR: GREEN.
 TERMINAL: PHOSPHOR BRONZE, TIN PLATED.
- 2. SUITABLE FOR 1.6-2.4mm PC BOARD THICKNESS.
- 3. NOT CUMMULATIVE TOLERANCE.



THIS PRINT IS
PRELIMINARY
 PRIOR TO CUSTOMER ORDER
 CONTACT PRODUCT ENGINEERING
 BEFORE USING THIS PRINT

18.5	5	1776359-5
11.5	3	1776359-3
8.0	2	1776359-2
A	NO OF POSN	PART NUMBER



RECOMMENDED PC BOARD LAYOUT

DIMENSIONS:		TOLERANCES UNLESS OTHERWISE SPECIFIED:		DWN	08MAY2006	BUCHANAN		Tyco Electronics	
mm		0 PLC	±	S. WELDON	08MAY2006	Harrisburg, PA 17105-3608			
		1 PLC	±0.3	CHK	08MAY2006	NAME		TERMINAL BLOCK HEADER ASSEMBLY, 90 DEGREE, CLOSED ENDS, NO LIP, 3.5mm PITCH	
		2 PLC	±0.25	APVD	08MAY2006	SIZE		A200779	
		3 PLC	±0.000	PRODUCT SPEC		CAGE CODE		C-1776359	
		4 PLC	±0.0000	APPLICATION SPEC		DRAWING NO		1776359	
		ANGLES	±2°	WEIGHT	-	RESTRICTED TO			
		FINISH		CUSTOMER DRAWING		SCALE		6:1	

单击下面可查看定价，库存，交付和生命周期等信息

[>>TE Connectivity\(泰科\)](#)