

THIS DRAWING IS UNPUBLISHED. RELEASED FOR PUBLICATION
 © COPYRIGHT - By - ALL RIGHTS RESERVED.

LOC		DIST		REVISIONS			
P	LTR	DESCRIPTION		DATE	DWN	APVD	
	A2	REVISED PER ECO-15-004048		16MAR2015	NK	RH	

MATERIALS		
COMPONENT NAME	BASE MATERIAL	FINISH
CASE	LCP, BLACK, UL94 V-0	
TERMINAL, WIRE LUG (GOLD)	BRASS	GOLD OVER NICKEL
TERMINAL, PC & RA (GOLD)	BRASS	GOLD OVER NICKEL IN CONTACT AREA, TIN OVER NICKEL IN SOLDER AREA
TERMINAL, WIRE LUG & PC (SILVER)	SILVER CLAD COPPER	SILVER OVER NICKEL
CONTACT (GOLD)	COPPER ALLOY OR BRASS	GOLD OVER NICKEL
CONTACT (SILVER)	SILVER CLAD COPPER OR COPPER	SILVER OVER NICKEL
FRAME	STEEL	TIN OVER COPPER
SPRING	MUSIC WIRE	
PLUNGER BUTTON	NYLON 6/6, BLACK, RED OR BLUE, UL94 HB	
GUIDE, CC & FF SWITCHES ONLY	NYLON 6/6, WHITE	

PART NUMBER MATRIX							04
MODEL	POLES	RATING	FUNCTION	PLATING	TERMINATIONS	BUTTON COLOR	
TP	1	1=GOLD .4VA	C=SPST MOMENTARY	G=GOLD	BLANK=WIRE LUG	0=BLACK	
	2(1+1)	3=SILVER 1 AMP 1	F=SPDT MOMENTARY	BLANK=SILVER 1	PC=PRINTED CIRCUIT	2=RED	
					RA=RIGHT ANGLE 1	6=BLUE	

NOTES:
 1. SILVER ONLY AVAILABLE IN WIRE LUG AND PC TERMINATIONS

SPECIFICATIONS	
RATING	GOLD: .4VA MAX. @ 20VDC OR PEAK AC RESISTIVE SILVER: 1A @ 125VAC OR 28 VDC RESISTIVE
INITIAL TERMINATION RESISTANCE	20 MILLIOHMS MAX.
INSULATION RESISTANCE	1,000 MEGOHMS MIN @ 500 VDC
DIELECTRIC STRENGTH	1,000 VOLTS RMS AT SEA LEVEL
TIMING	BREAK BEFORE MAKE
PLUNGER TRAVEL	.030
ACTUATION FORCE	50 TO 400 GRAMS
LIFE EXPECTANCY	.4VA: 100,000 1A: 60,000
OPERATING TEMPERATURE	-30°C TO +95°C
STORAGE TEMPERATURE	-30°C TO +95°C
TERMINAL SEAL	SINGLE POLE: EPOXY DOUBLE POLE: EPOXY OPTIONAL

P/N	ALCO P/N	POLES	THROWS	PLATING	TERMINALS	BUTTON COLOR	FUNCTION		CONNECTED TERMINALS	
							ALCO	ALCO	ALCO	ALCO
1825095-1	TP11CGPC004	1	1	GOLD	PC	BLACK	OFF	MOM	OFF	1-3
1825095-2	TP11CGPC204	1	1	GOLD	PC	RED	OFF	MOM	OFF	1-3
1825095-3	TP11CGRA004	1	1	GOLD	RIGHT ANGLE	BLACK	OFF	MOM	OFF	1-3
1825095-4	TP11CGRA204	1	1	GOLD	RIGHT ANGLE	RED	OFF	MOM	OFF	1-3
1825095-5	TP11CGRA604	1	1	GOLD	RIGHT ANGLE	BLUE	OFF	MOM	OFF	1-3
1825095-6	TP11FGPC004	1	2	GOLD	PC	BLACK	ON	MOM	1-2	2-3
1825095-7	TP11FGPC204	1	2	GOLD	PC	RED	ON	MOM	1-2	2-3
1825095-8	TP11FGRA004	1	2	GOLD	RIGHT ANGLE	BLACK	ON	MOM	1-2	2-3
1825095-9	TP11FGRA204	1	2	GOLD	RIGHT ANGLE	RED	ON	MOM	1-2	2-3
1-1825095-0	TP11FGRA604	1	2	GOLD	RIGHT ANGLE	BLUE	ON	MOM	1-2	2-3
1-1825095-1	TP21CCGRA004	2(1+1)	1	GOLD	RIGHT ANGLE	BLACK	OFF	MOM	OFF	1-3
1-1825095-2	TP21CCGRA204	2(1+1)	1	GOLD	RIGHT ANGLE	RED	OFF	MOM	OFF	1-3
1-1825095-3	TP21FFGRA004	2(1+1)	2	GOLD	RIGHT ANGLE	BLACK	ON	MOM	1-2	2-3

- NOTES:
- TERMINAL NUMBERS ARE FOR REFERENCE ONLY AND DO NOT APPEAR ON SWITCHES
 - ALL MATERIALS AND FINISHES COMPLY WITH EU DIRECTIVE 2002/95/ES OF 27JAN2003 (ROHS)
 - CENTER TERMINAL PRESENT ON DOUBLE THROW SWITCHES ONLY.
 - OBSOLETE.

THIS DRAWING IS A CONTROLLED DOCUMENT.

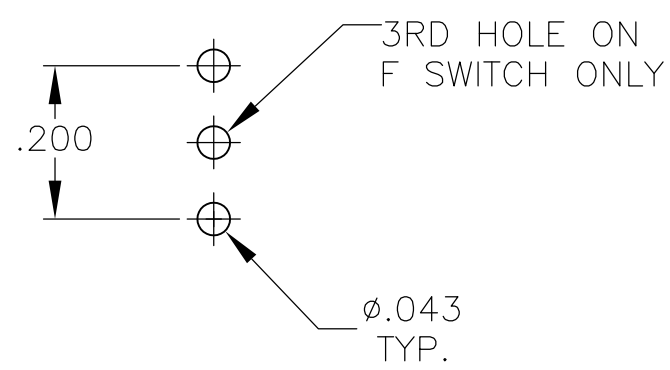
DWN: RAGHU 12-1-05
 CHK: -
 APVD: -
 PRODUCT SPEC: -
 APPLICATION SPEC: -

TE Connectivity
 PUSHBUTTON SWITCH, TP SERIES

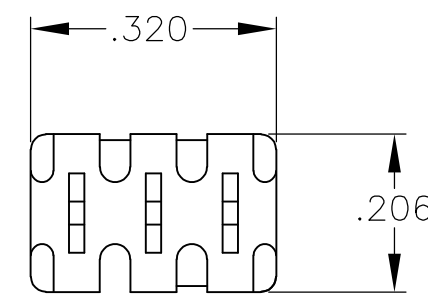
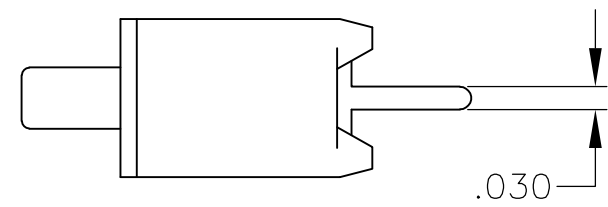
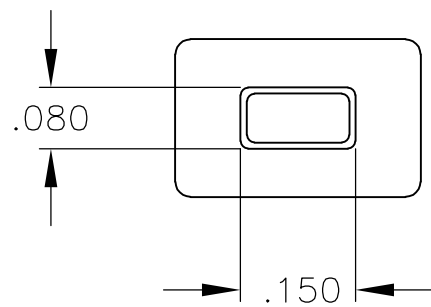
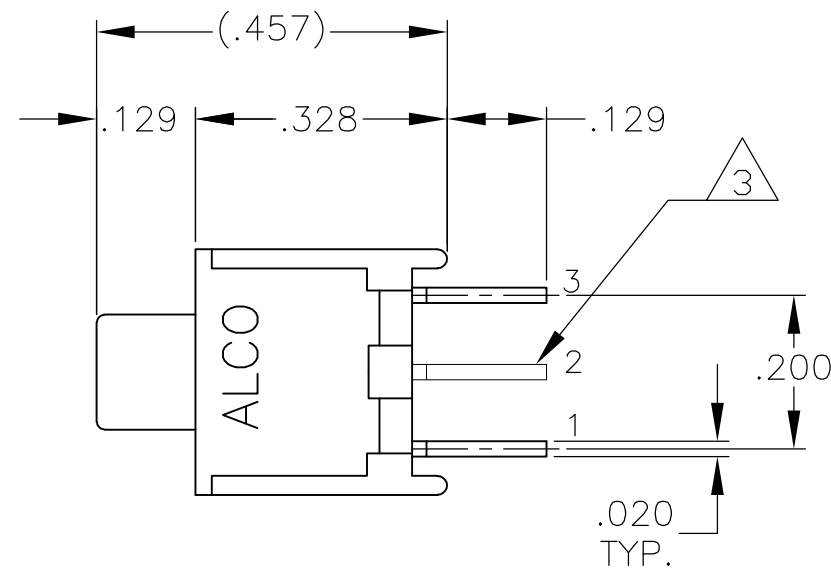
SIZE: A2 CAGE CODE: 00779 DRAWING NO: 1825095 RESTRICTED TO: -
 WEIGHT: -
 CUSTOMER DRAWING SCALE: 4:1 SHEET: 1 of 3 REV: A2

THIS DRAWING IS UNPUBLISHED. RELEASED FOR PUBLICATION
 © COPYRIGHT - By - ALL RIGHTS RESERVED.

LOC	DIST	REVISIONS					
AD	00	P	LTR	DESCRIPTION	DATE	DWN	APVD
		-	-	SEE SHEET 1	-	-	-



RECOMMENDED HOLE LAYOUT
 TOLERANCE ±.002 UNLESS OTHERWISE NOTED

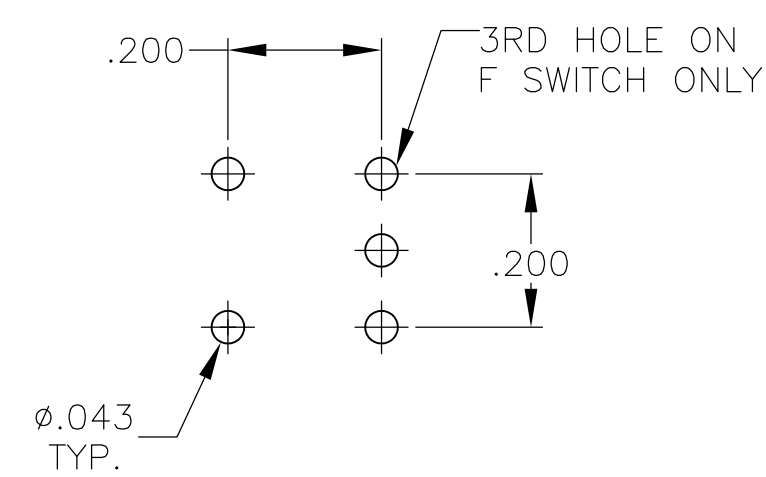


TP11CGPC
 TP11FGPC

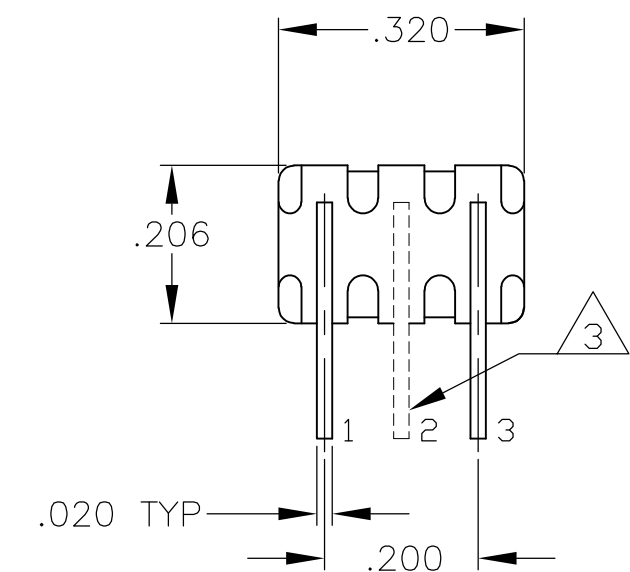
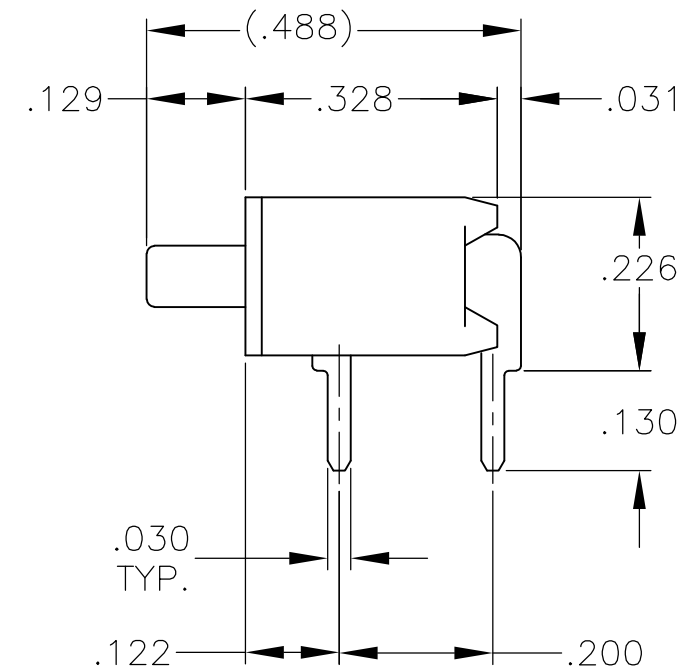
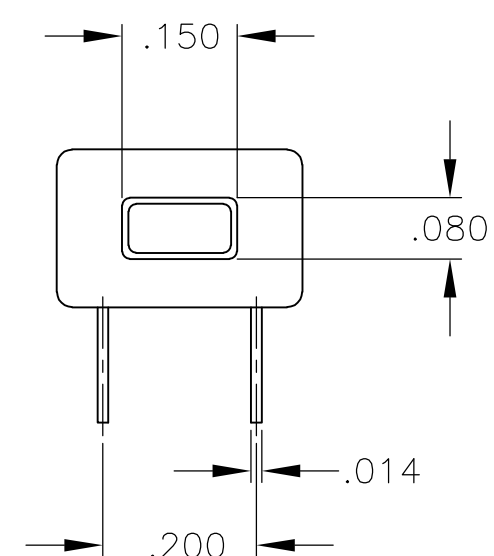
THIS DRAWING IS A CONTROLLED DOCUMENT.		DWN	12-1-05	TE TE Connectivity	
DIMENSIONS: INCHES		CHK	-		
TOLERANCES UNLESS OTHERWISE SPECIFIED:		APVD	-	NAME	
0 PLC ± -		PRODUCT SPEC	-	PUSHBUTTON SWITCH, TP SERIES	
1 PLC ± -		APPLICATION SPEC	-	SIZE	CAGE CODE
2 PLC ± -		WEIGHT	-	A2	00779
3 PLC ± .010		CUSTOMER DRAWING	-	DRAWING NO	1825095
4 PLC ± -		SCALE	4:1	SHEET	2 of 3
ANGLES ± 3°		REV	A2	RESTRICTED TO	
FINISH					

THIS DRAWING IS UNPUBLISHED. RELEASED FOR PUBLICATION
 © COPYRIGHT - By - ALL RIGHTS RESERVED.

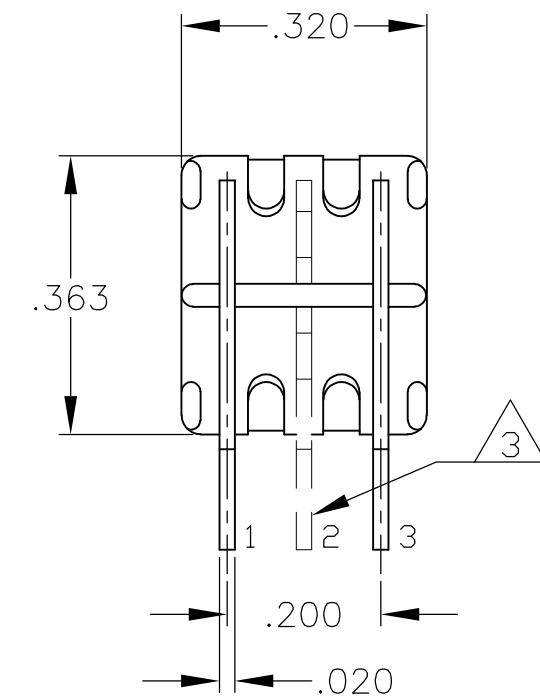
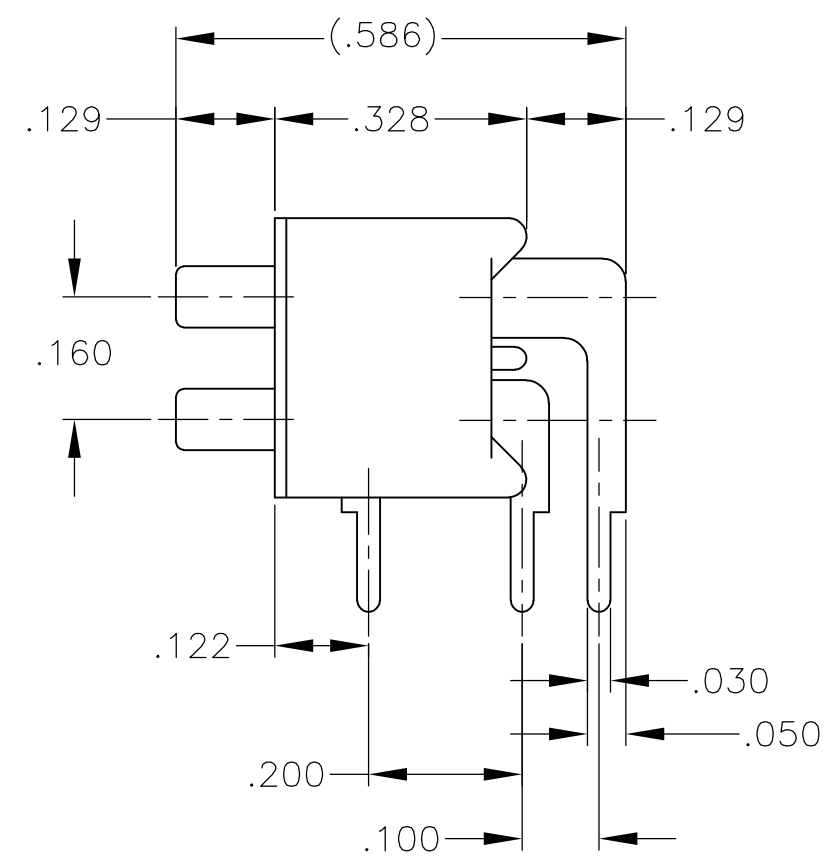
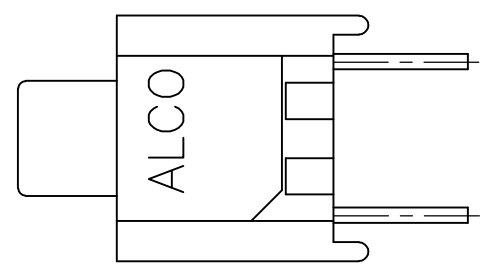
LOC		DIST		REVISIONS			
P	LTR	DATE	DWN	APVD			
AD	00				SEE SHEET 1		



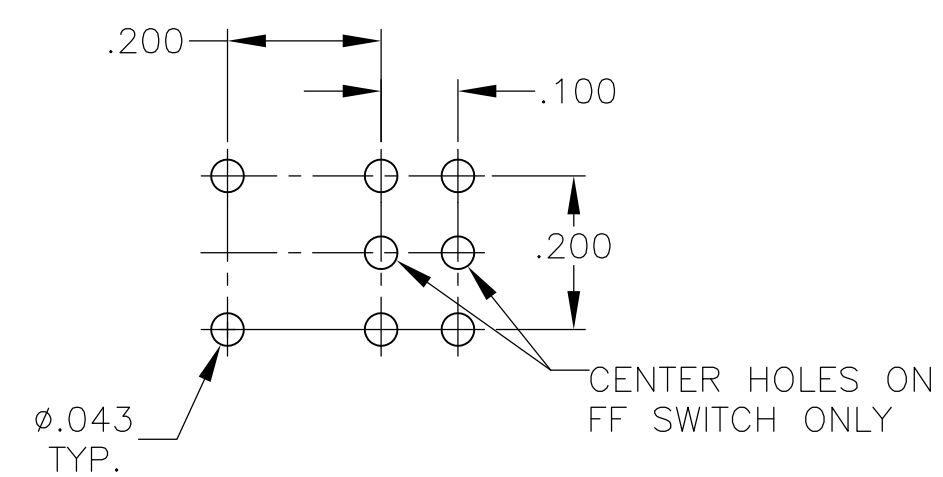
RECOMMENDED HOLE LAYOUT
 TOLERANCE $\pm.002$ UNLESS OTHERWISE NOTED



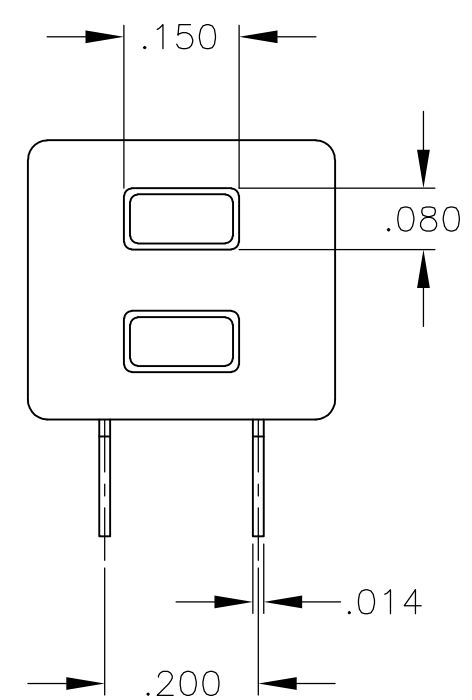
TP11CGRA
 TP11FGRA



TP21CCGRA
 TP21FFGRA



RECOMMENDED HOLE LAYOUT
 TOLERANCE $\pm.002$ UNLESS OTHERWISE NOTED



THIS DRAWING IS A CONTROLLED DOCUMENT.		DWN	12-1-05		
DIMENSIONS: INCHES		CHK	-		
TOLERANCES UNLESS OTHERWISE SPECIFIED:		APVD	-	NAME	
0 PLC \pm -		PRODUCT SPEC	-	PUSHBUTTON SWITCH, TP SERIES	
1 PLC \pm -		APPLICATION SPEC	-	SIZE	CAGE CODE
2 PLC \pm -		WEIGHT	-	A2	00779
3 PLC \pm .010		CUSTOMER DRAWING	-	DRAWING NO	1825095
4 PLC \pm -		SCALE	1:1	SHEET	3 OF 3
ANGLES \pm 3°		REV	A2	RESTRICTED TO	
FINISH					

1825095

单击下面可查看定价，库存，交付和生命周期等信息

[>>TE Connectivity\(泰科\)](#)