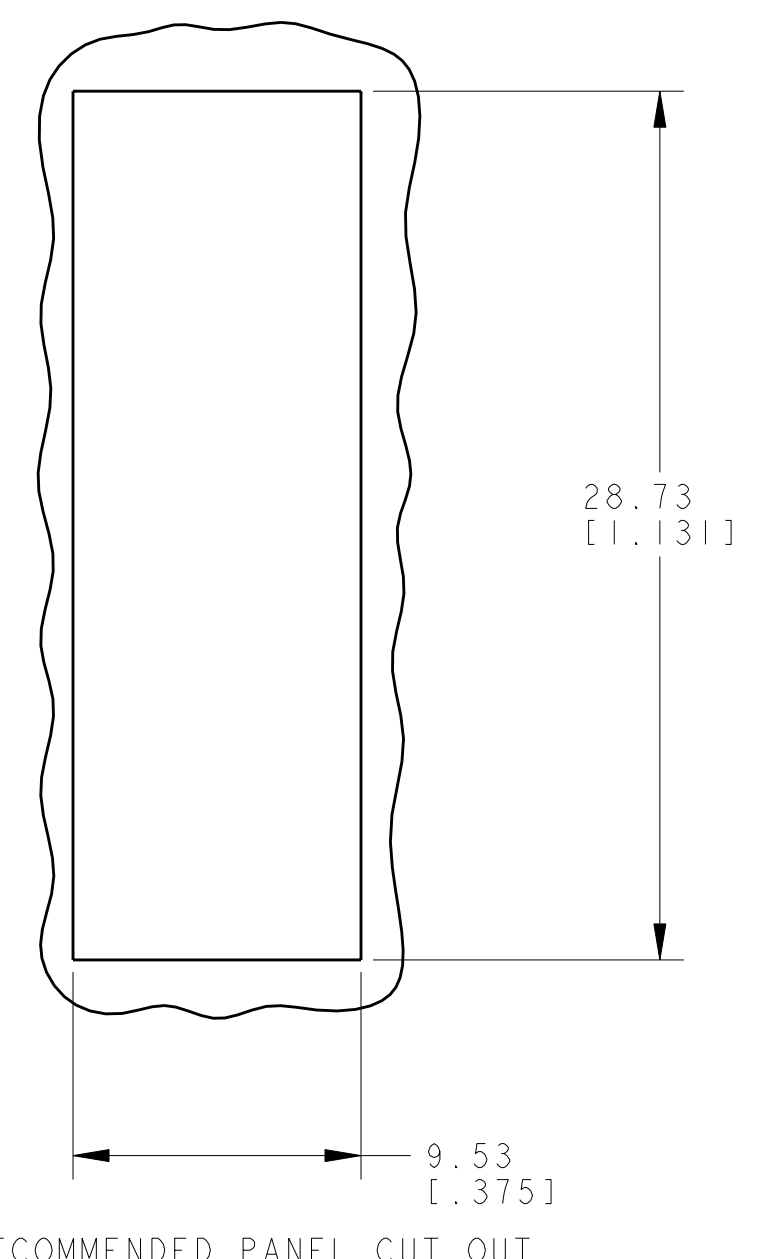
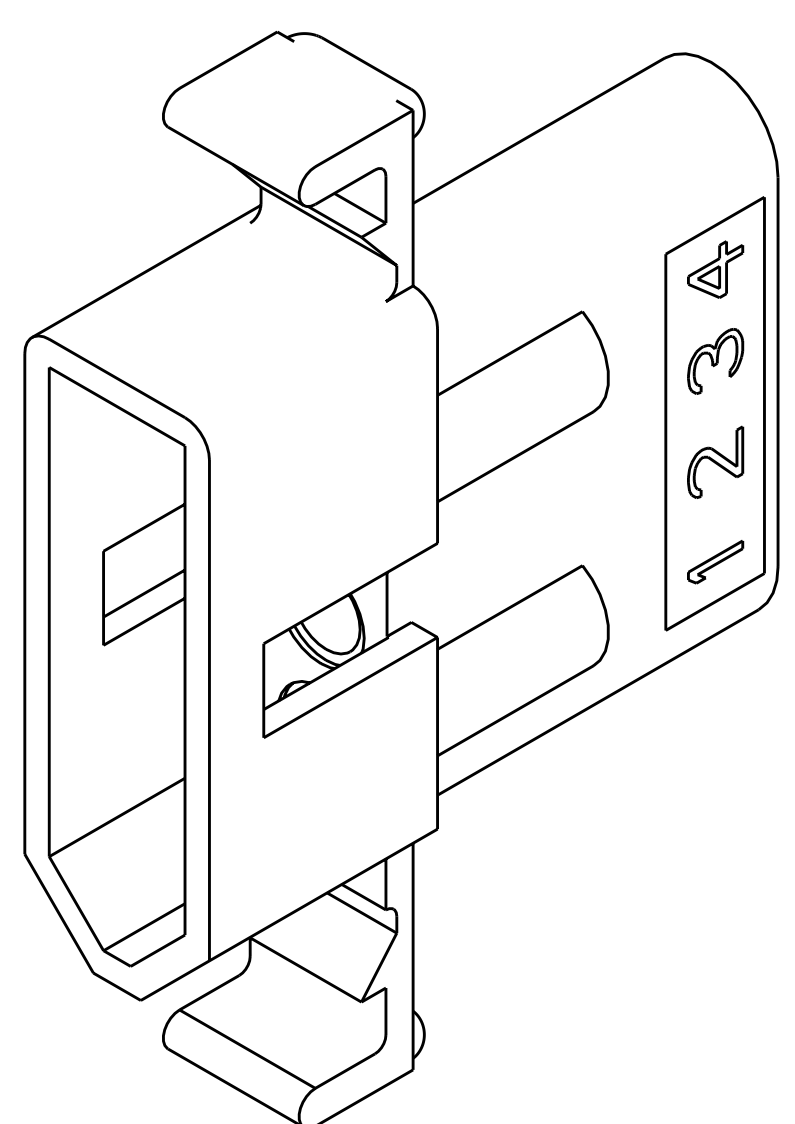
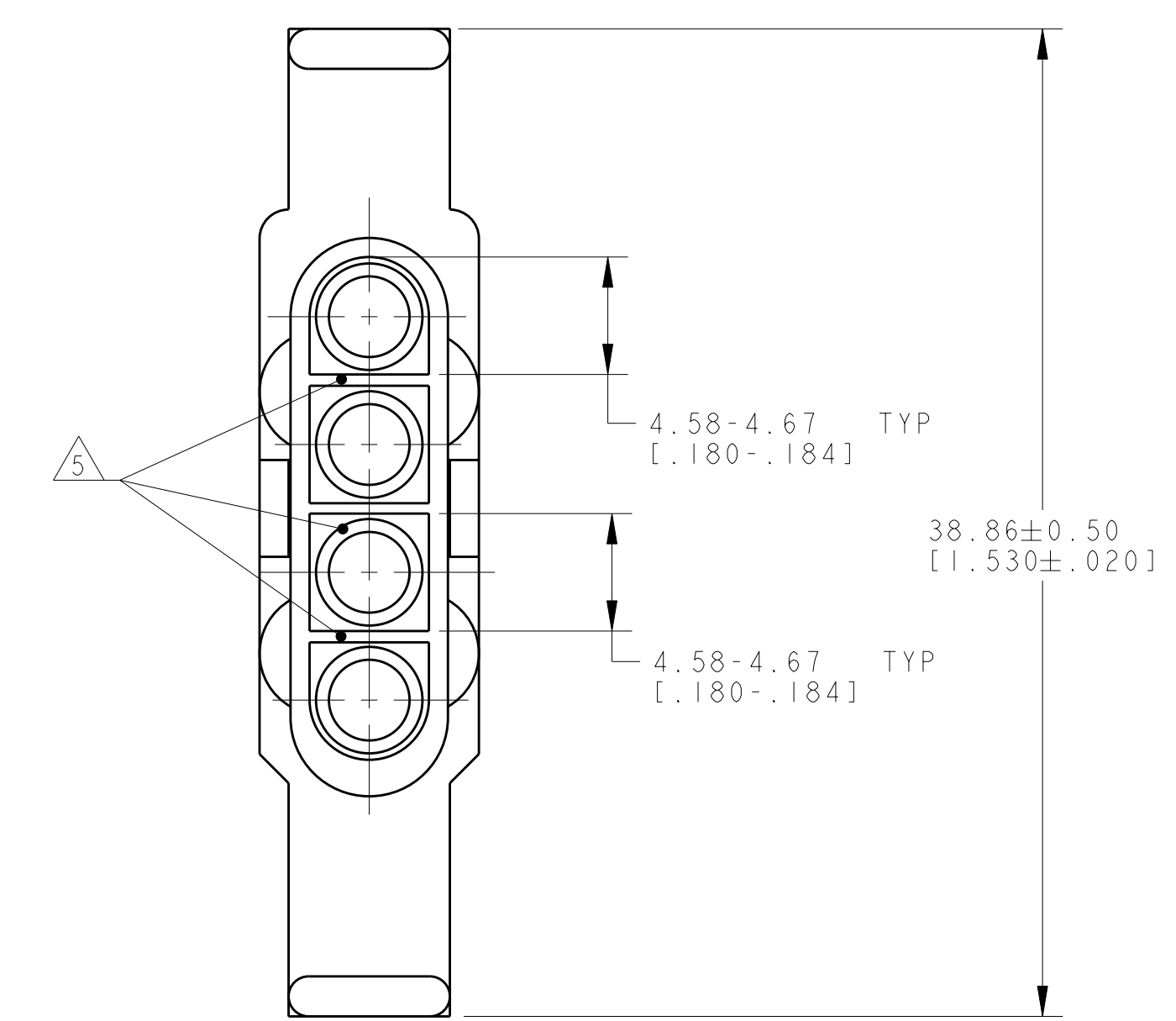
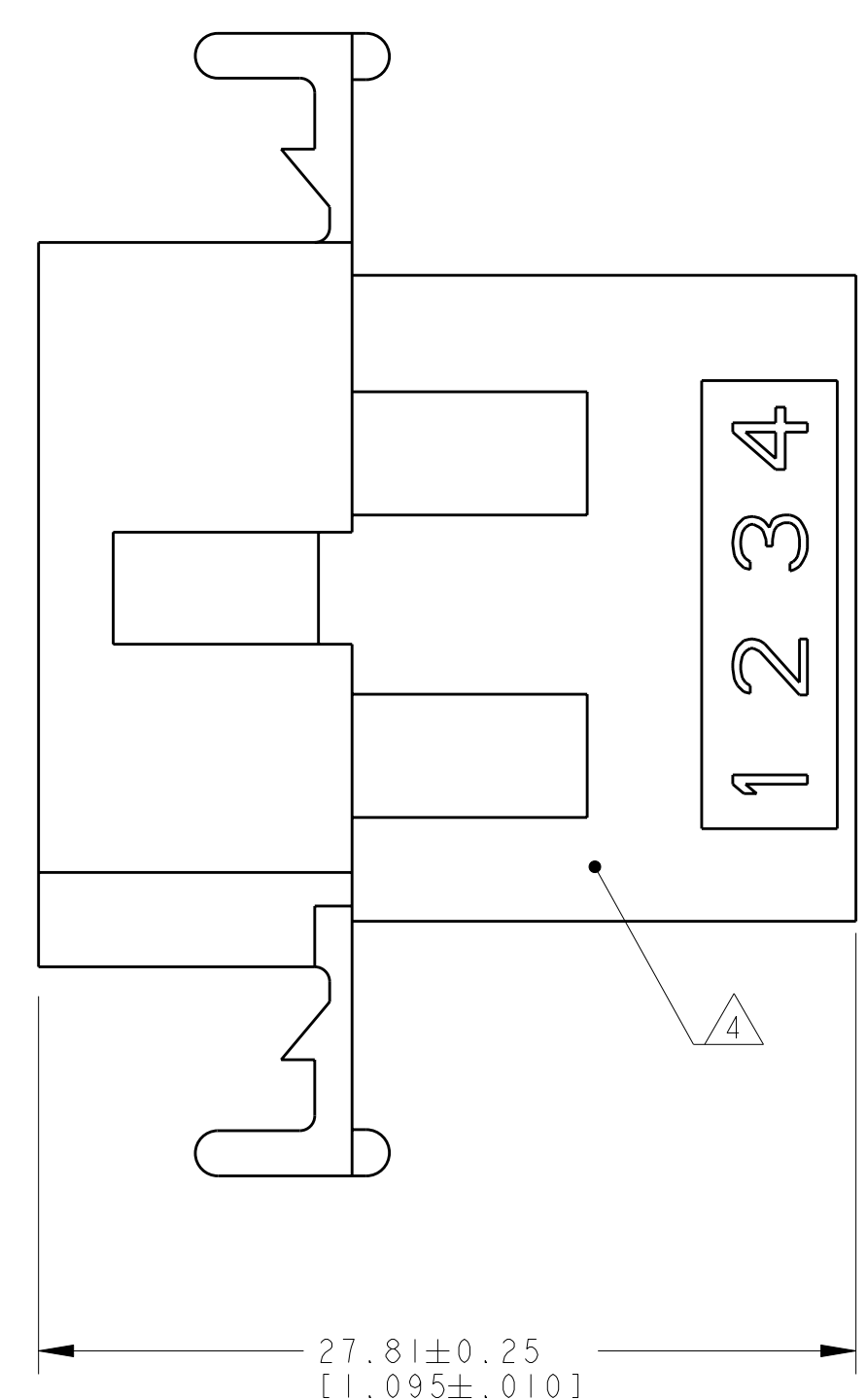
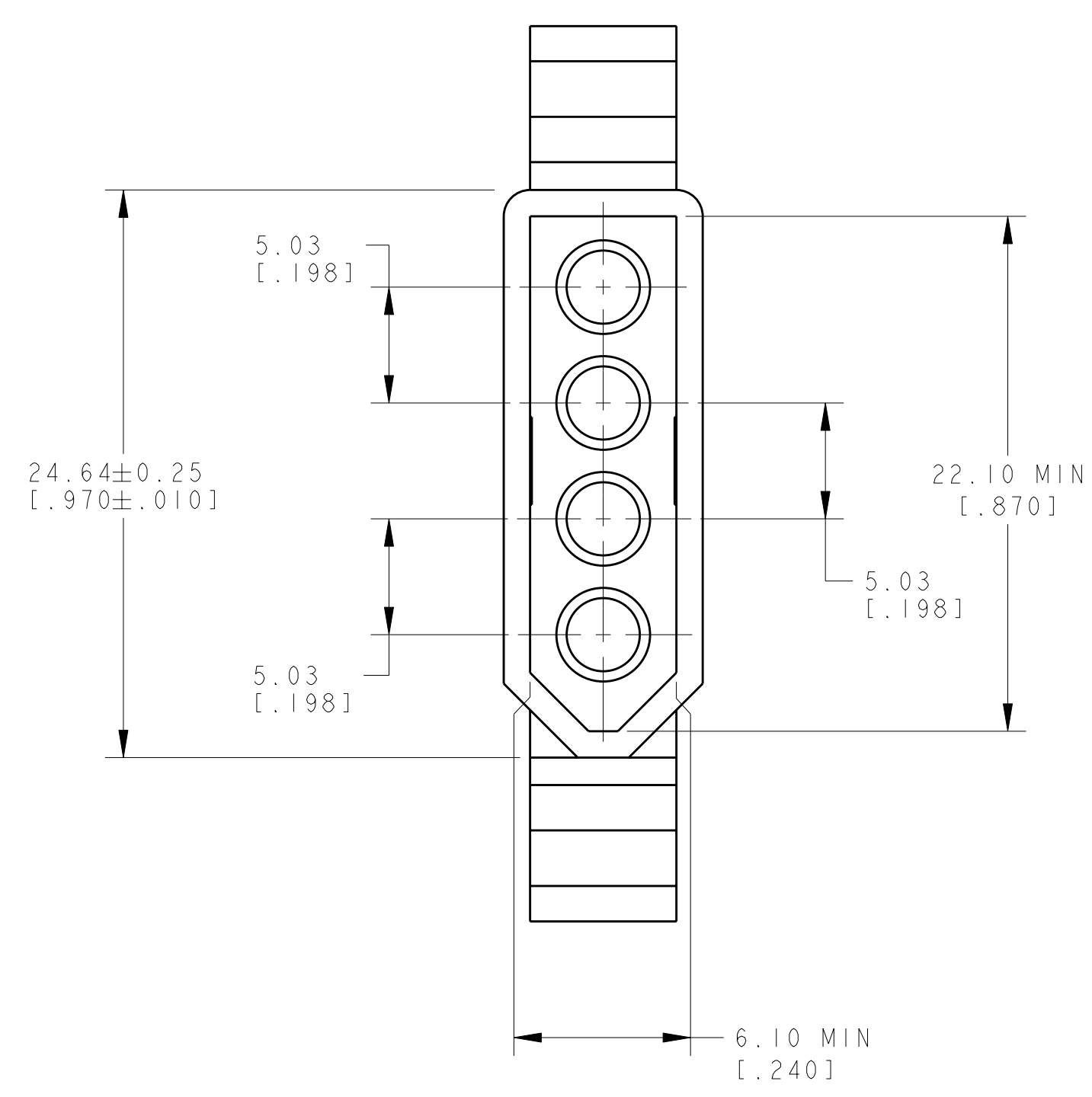


LOC	DIST	REV	DATE	DWN	APVD
CM	00	M	05AUG04	KW	DC
		MI	19JUL06	KW	DC

- △ MATERIAL: NYLON UL94V-2 (NATURAL).
- 2. RECOMMENDED PANEL THICKNESS 2.29 [.090] MAX.
- 3. MARKING FOR UL AND CSA LOGO SHALL BE LOCATED ON ANY EXTERNAL SURFACE.
- △ AMP LOGO AND CIRCUIT NUMBERS LOCATED IN AREA, EITHER SIDE, SIZE OPTIONAL, FROST BACKGROUND.
- △ WALL THICKNESS TO MEASURE 0.36-0.46 [.014-.018]



METRIC

770077-1
PART NUMBER

DIMENSIONS: mm [INCHES]		TOLERANCES UNLESS OTHERWISE SPECIFIED: 9 PLC ± 8 PLC ±0.13 [1.005] 5 PLC ± 4 PLC ± ANGLES ±40°30'		DWN: R. WHITAKER 05AUG2004 CHK: D. COLEY 05AUG2004 APVD: D. COLEY 05AUG2004		tyco Electronics Tyco Electronics Harrisburg, PA 17105-3608	
MATERIAL: △		FINISH:		NAME: PLUG, 4 CIRCUIT, .093 COMMERCIAL PIN AND SOCKET		SIZE: A 00779 C=770077	
CUSTOMER DRAWING				SCALE: 4:1		SHEET 1 OF 1 REV. M	

单击下面可查看定价，库存，交付和生命周期等信息

[>>TE Connectivity\(泰科\)](#)