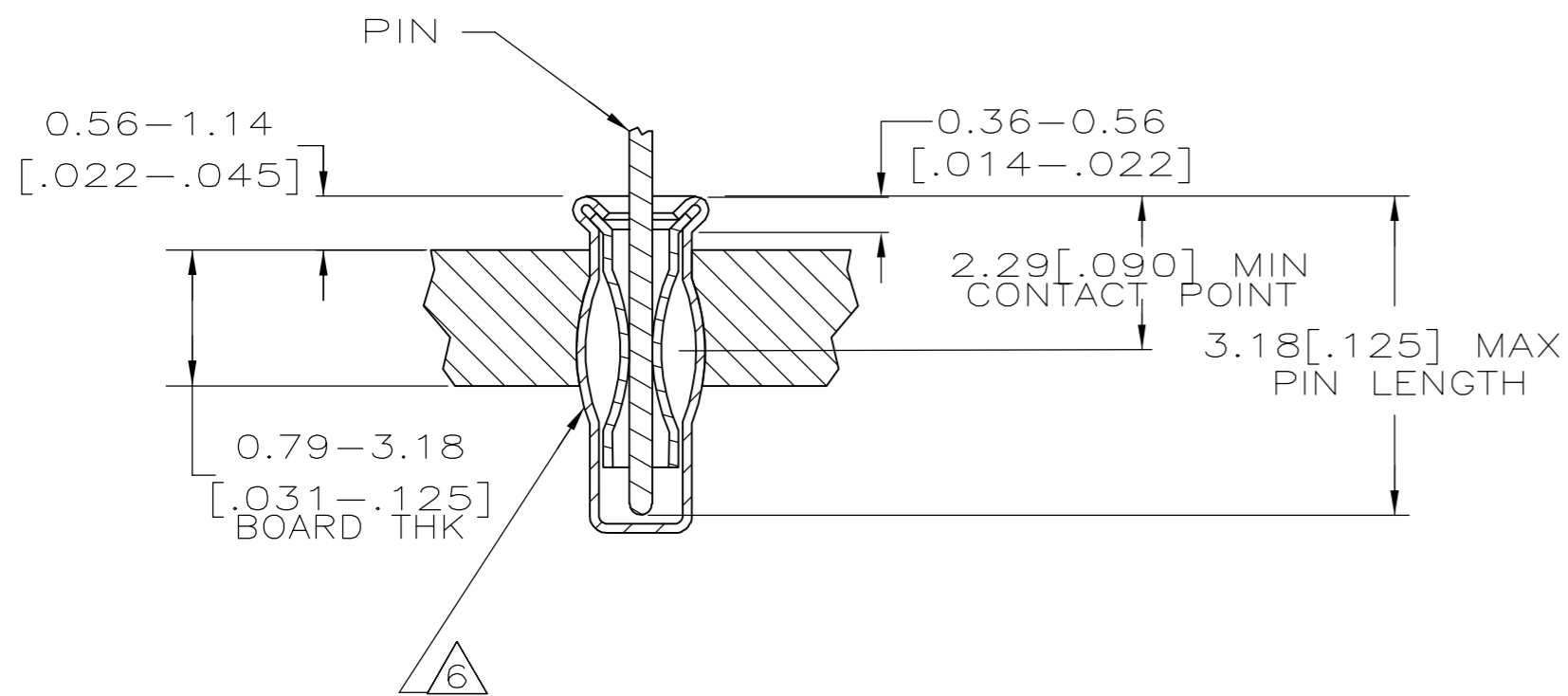
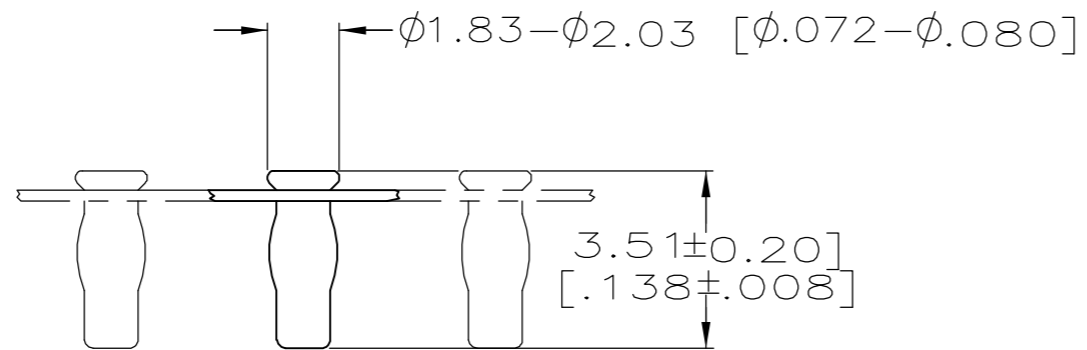
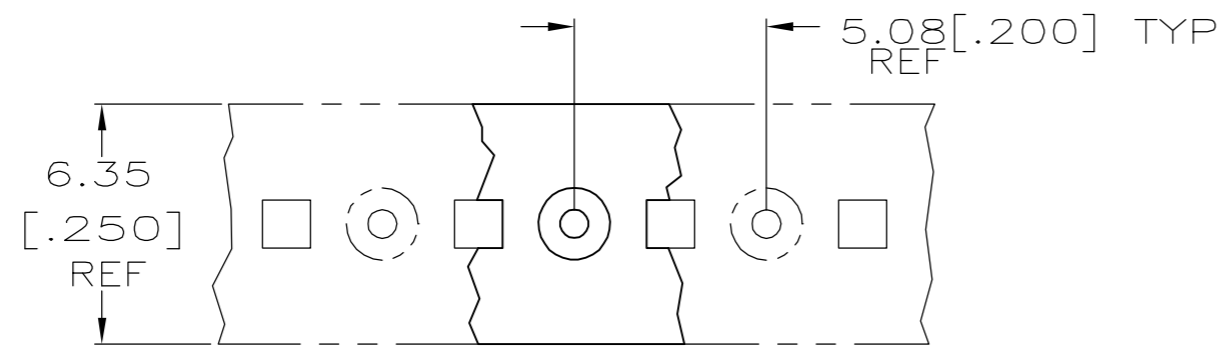


THIS DRAWING IS UNPUBLISHED. RELEASED FOR PUBLICATION
 © COPYRIGHT BY TYCO ELECTRONICS CORPORATION. ALL RIGHTS RESERVED.

LOC	DIST	REVISIONS			
P	LTR	DESCRIPTION	DATE	DWN	APVD
AG	53	0	RELEASED	26JAN06	JDP JGH



- 1 MATERIAL:
EYELET - COPPER PER ASTM B 152
SPRING - BERYLLIUM COPPER PER ASTM B 194
- 2 TIN PLATE PER ASTM B 545, 0.00254[.000100] MINIMUM THICK.
- 3 GOLD PLATE PER ASTM B 488, 0.00076[.000030] MINIMUM THICK.
- 4 PACKAGED 50,000 PER REEL.
- 5 TO INSURE 1/2 OZ MIN RETENTION DO NOT EXCEED 0.05[.002] DIFFERENCE IN PIN DIAMETER WHEN CHANGING TO A SMALLER DIAMETER PIN.
- 6 PRODUCT IS OVALIZED FOR RETENTION IN THE P.C. BOARD. THE RECOMMENDED HOLE DIAMETER IS $\phi 1.57[\phi 0.62]$ MINIMUM, $+0.08[.003]$ MAX. PRIOR TO SOLDERING.

OPEN	4	2.29-3.18 [.090-.125]	$\phi 0.66-\phi 0.74$ [$\phi 0.026-\phi 0.029$]	GOLD 3	TIN 2	5645521-3
CLOSED	4	2.29-3.18 [.090-.125]	$\phi 0.66-\phi 0.74$ [$\phi 0.026-\phi 0.029$]	GOLD 3	TIN 2	5645521-1
EYELET TYPE	PACKAGING	LENGTH	DIAMETER 5	SPRING	EYELET	PART NUMBER
THIS DRAWING IS A CONTROLLED DOCUMENT.		DWN J. POLIGNONE 26JAN06 CHK J. HAVENER 26JAN06 APVD J. HAVENER 26JAN06		Tyco Electronics Corporation Harrisburg, PA 17105-3608		
DIMENSIONS: mm [INCHES]		TOLERANCES UNLESS OTHERWISE SPECIFIED:		NAME MINIATURE SPRING SOCKET ASSEMBLY, SERIES 3		
		0 PLC ± - 1 PLC ± - 2 PLC ± - 3 PLC ± 0.13[.005] 4 PLC ± - ANGLES ± - FINISH		PRODUCT SPEC 108-14008 APPLICATION SPEC 114-26004		SIZE A2
MATERIAL 1		FINISH 2 3		WEIGHT -	CAGE CODE 00779	DRAWING NO C=5645521
CUSTOMER DRAWING				SCALE 10:1	SHEET 1 of 1	REV 0

单击下面可查看定价，库存，交付和生命周期等信息

[>>TE Connectivity\(泰科\)](#)