

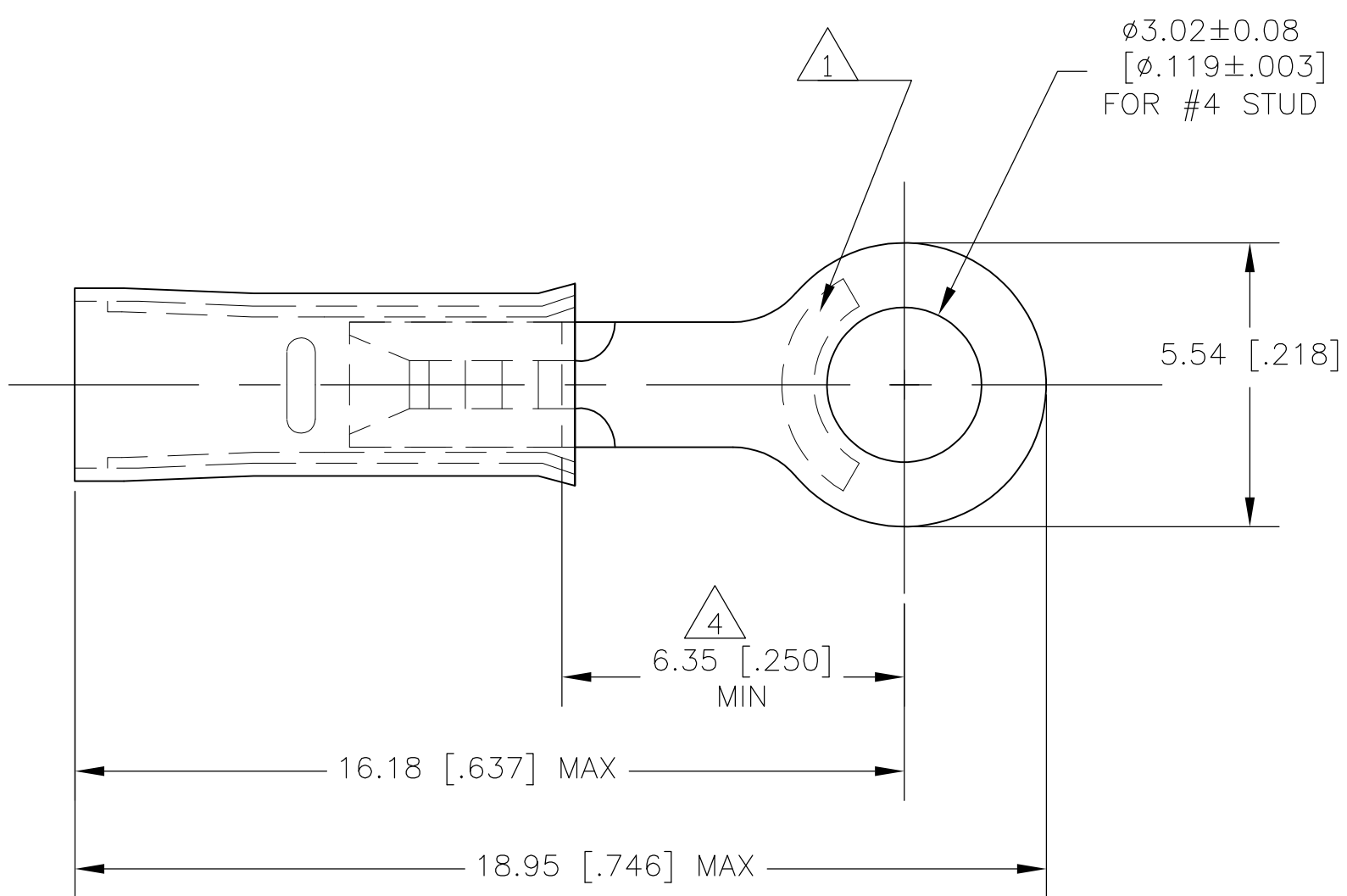
THIS DRAWING IS UNPUBLISHED. RELEASED FOR PUBLICATION  
 © COPYRIGHT BY TYCO ELECTRONICS CORPORATION. ALL RIGHTS RESERVED.

| LOC | DIST | REVISIONS |     |                         |         |     |      |
|-----|------|-----------|-----|-------------------------|---------|-----|------|
| G   | 14   | P         | LTR | DESCRIPTION             | DATE    | DWN | APVD |
|     |      |           | A   | DRAWN PER ECR 07-020029 | 22AUG07 | JR  | TM   |

**AMP**  
WIRE RANGE

---

22 AWG  
SOLID OR STRANDED



- 1 STAMP AMP 22, LOCATE APPROX AS SHOWN.
- 2 WIRE INSULATION DIA IS 0.9-2.5 [.035-.100]
- 3 TONGUE MATERIAL THK IS 0.79±0.05 [.031±.002]
- 4 DIMENSION APPLIES FROM EDGE OF METAL WIRE BARREL TO CENTER OF STUD HOLE.
- 5 MATERIAL: BODY-COPPER PER ASTM B-152  
SLEEVE-NYLON, BLACK
- 6 FINISH: BODY-TIN PLATE PER ASTM B-545
- 7 MAX RECOMMENDED OPERATING 105°C
- 8 VOLTAGE RATING 300V MAX
- 9 CIRCULAR MIL AREA 0.26-0.41mm<sup>2</sup> [509-810] CMA.

|     |              |         |
|-----|--------------|---------|
| 500 | LOOSE PIECE  | 151458  |
| QTY | PACKAGE TYPE | PART NO |

|   |        |                                 |   |                    |
|---|--------|---------------------------------|---|--------------------|
| THIS DRAWING IS A CONTROLLED DOCUMENT.  |        | DWN<br>jr_ruth<br>22AUG07       | Tyco Electronics Corporation<br>Harrisburg, PA 17105-3608 |                    |
| DIMENSIONS:<br>INCHES   |        | CHK<br>T MICHELUTTI<br>22AUG07  | NAME<br>TERMINAL, RING TONGUE, PIDG,<br>WIRE SIZE: 22 AWG |                    |
| TOLERANCES UNLESS OTHERWISE SPECIFIED:  |        | APVD<br>T MICHELUTTI<br>22AUG07 | PRODUCT SPEC  |                    |
| 0 PLC ± -<br>1 PLC ± -<br>2 PLC ± -<br>3 PLC ± .005<br>4 PLC ± -<br>ANGLES ± 5° |        | APPLICATION SPEC                |   |                    |
| MATERIAL  | FINISH | WEIGHT                          | SIZE<br>A3  | CAGE CODE<br>00779 |
| - 5   | - 6    | -                               | DRAWING NO<br>C-151458                                    | RESTRICTED TO      |
| CUSTOMER DRAWING  |        |                                 | SCALE<br>8:1  | SHEET<br>1 OF 1    |
|   |        |                                 | REV<br>A  |                    |

单击下面可查看定价，库存，交付和生命周期等信息

[>>TE Connectivity\(泰科\)](#)