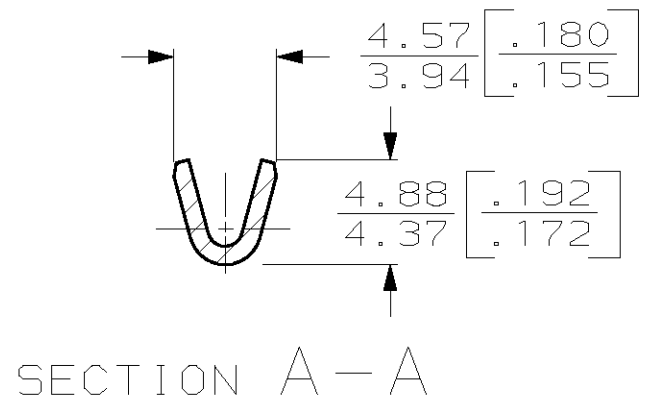
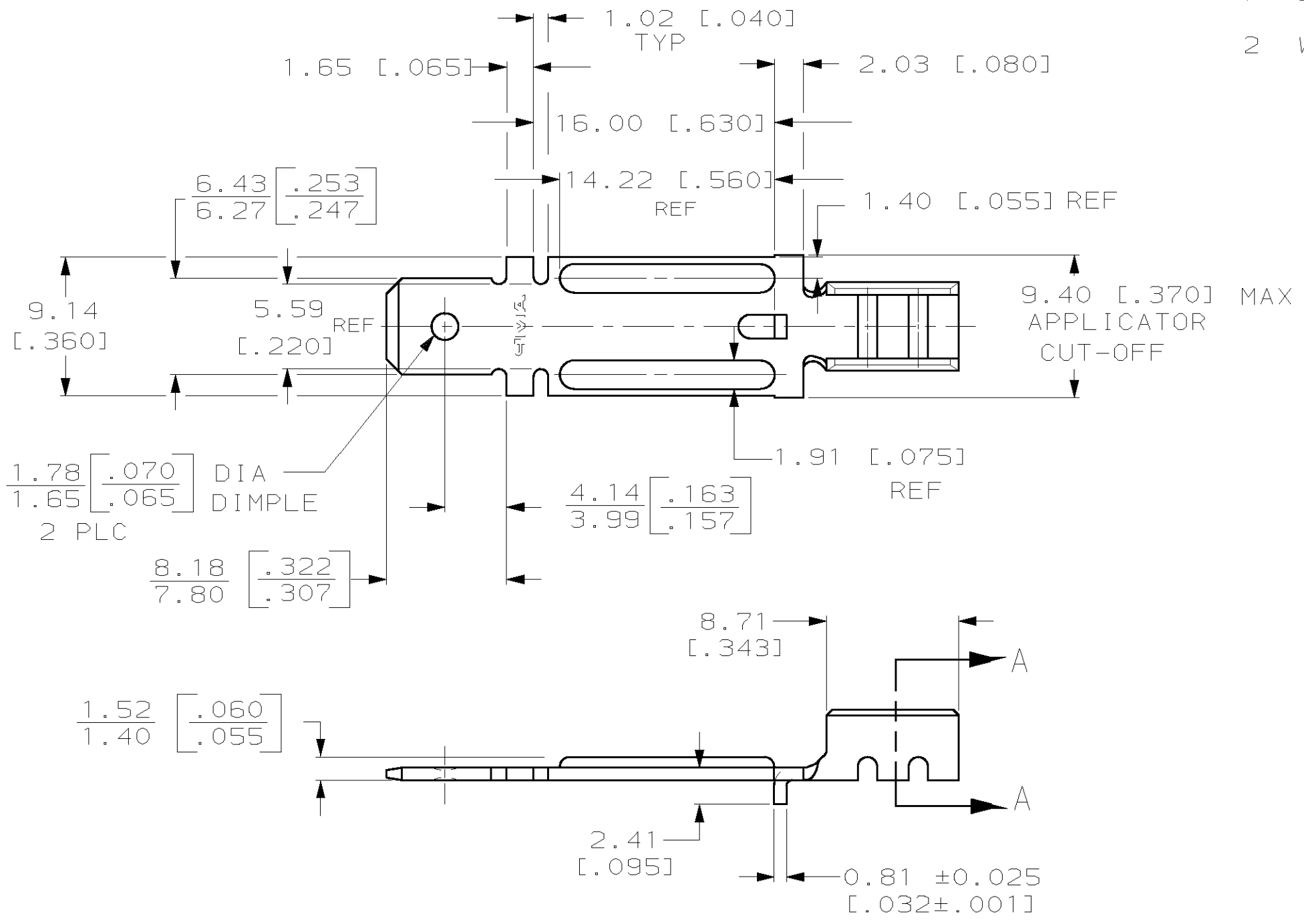


THIS DRAWING IS UNPUBLISHED. RELEASED FOR PUBLICATION, 19 .
 © COPYRIGHT 19 BY AMP INCORPORATED. ALL RIGHTS RESERVED.

LOC	DIST	REVISIONS					
		P	LTR	DESCRIPTION	DATE	DWN	APVD
AF	50	B		REV PER 063A-0486-00	17AUG00	JR	GP

- 1 CONTINUOUS STRIP ON REELS.
- 2 WIRE SIZE IS [22-15].



1217006-1
PART NO.

THIS DRAWING IS A CONTROLLED DOCUMENT.		DWN JR RUTH 7/28/97	AMP AMP Incorporated Harrisburg, PA 17105-3608
DIMENSIONS: MM [INCHES]		CHK MS FEHER 7/28/97	
TOLERANCES UNLESS OTHERWISE SPECIFIED: 0 PLC ±- 1 PLC ±- 2 PLC ±0.25 [.010] 3 PLC ±- 4 PLC ±- ANGLES ±-		APVD P DESANTIS 7/28/97	NAME TAB, FASTON, 6.35 [.250] SERIES
MATERIAL T2 CR STEEL		FINISH NICKEL	PRODUCT SPEC - APPLICATION SPEC 114-2068
		WEIGHT -	SIZE A3
		CUSTOMER DRAWING	CAGE CODE 00779
			DRAWING NO C-1217006
			RESTRICTED TO -
			SCALE 4:1
			SHEET 1 OF 1
			REV B

单击下面可查看定价，库存，交付和生命周期等信息

[>>TE Connectivity\(泰科\)](#)